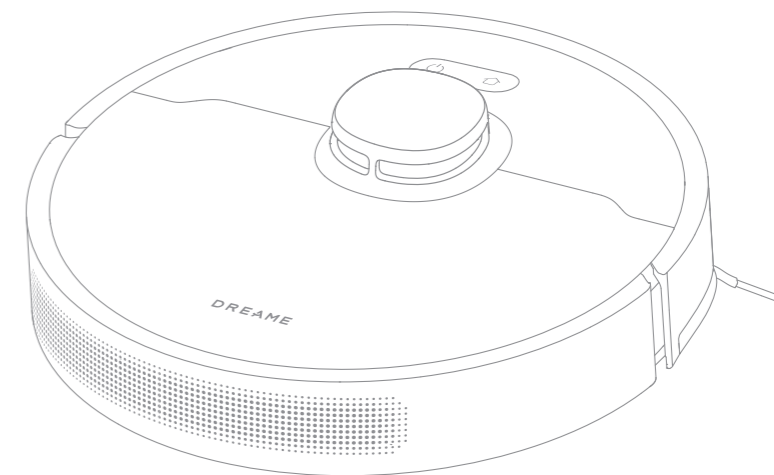


The word "dreame" is the abbreviation of Dreame Technology Co., Ltd. and its subsidiaries in China. It is the transliteration of the company's Chinese name "追觅", which means striving for excellence in every endeavor and reflects the company's vision of continuous pursuit, exploration and search in technology.

Dreame D9 Max Gen 2

Robot Vacuum and Mop

User Manual



For more support, contact us via <https://global.dreame.tech.com>

Manufactured by: Dreame Trading (Tianjin) Co., Ltd.

Made in China



RLD34GA-EU-A00

The illustrations in this manual are for reference only. Please refer to the actual product.

DREAME

Contents

EN	User Manual	1
DE	Benutzerhandbuch	22
FR	Manuel d'utilisation	45
IT	Manuale utente	67
ES	Manual de usuario	89
PL	Instrukcja obsługi	111
NL	Gebruikershandleiding	134
NO	Bruksanvisning	156
SV	Användarmanual	178

Safety Information

To avoid electric shock, fire or injury caused by improper use of the appliance, please read the user manual carefully before using the appliance and keep it for future reference.

Usage Restrictions

- This product should not be used by children younger than 8 years old nor persons with physical, sensory, intellectual deficiencies, or limited experience or knowledge without the supervision of a parent or guardian to ensure safe operation and to avoid any risks. Cleaning and maintenance shall not be performed by children without supervision.
- Children shall not play with this product. Ensure children and pets are kept at a safe distance from the robot while it is operating.
- This product is for floor cleaning in a home environment only. Do not use it outdoors, on non-floor surfaces, or in a commercial or industrial setting.
- If the power cord becomes damaged or broken, stop using it immediately and contact after-sales service.
- Do not use the robot in an area suspended above ground level without a protective barrier.
- Do not place the robot upside down. Do not use the LDS cover, robot cover, or bumper as a handle for the robot.
- Use the robot in environments with an ambient temperature above 0°C and below 40°C. Make sure there is no liquid or sticky substance on the floor.
- Pick up any cables from the floor before using the robot to prevent it from dragging them while cleaning.
- Remove fragile or small items from the floor to prevent the robot from bumping into and damaging them.
- To prevent damage or harm from dragging, clear any loose objects from the floor, and remove cables or power cords on the cleaning path before operating the appliance.

Safety Information

Usage Restrictions

- Keep hair, fingers, and other body parts away from the suction opening of the robot.
- Keep the brush cleaning tool out of reach of children.
- Do not place children, pets, or any item on top of the robot regardless of whether it is stationary or moving.
- Do not use the robot to clean any burning objects. Do not use the robot to pick up flammable or combustible liquids, corrosive gases, or undiluted acids or solvents.
- Do not vacuum hard or sharp objects. Do not use the appliance to pick up objects such as stones, large pieces of paper or any item that may clog the appliance.
- Make sure the robot is turned off and the charging dock is unplugged before cleaning or performing maintenance.
- Do not use a wet cloth to wipe or any liquid to rinse the robot and charging dock. Washable parts must be dried completely before installing and using them.
- Make sure the robot is turned off when being transported and kept in its original packaging if possible.
- Please use this product in accordance with the instructions in the User Manual. Users are responsible for any loss or damage that arise from improper use of this product.

Batteries and Charging

- Do not use any third-party battery, power cord, or charging dock. Use only with RCS0 supply unit.
- Do not attempt to disassemble, repair, or modify the battery or charging dock on your own.

Safety Information

Batteries and Charging

- Do not place the charging dock near a heat source.
- Do not use a wet cloth or wet hands to wipe or clean the dock's charging contacts.
- Do not improperly dispose of old batteries. Unneeded batteries should be discarded at an appropriate recycling facility.
- If the robot will not be used for an extended period, fully charge it, then turn it off and store in a cool, dry place. Recharge the robot at least once every 3 months to avoid over-discharging the battery.
- This product contains batteries that can only be replaced by qualified technicians or after-sales service.

Laser Safety Information

- The laser sensor in this product meets the IEC 60825-1:2014/EN 60825-1:2014/A11:2021 Standard for Class 1 laser products. Please avoid direct eye contact with it during use.

CLASS 1 LASER PRODUCT
CONSUMER LASER PRODUCT
EN 50689:2021



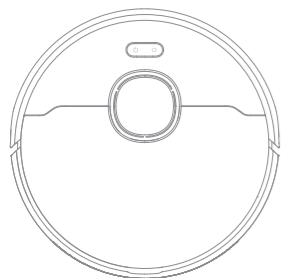
For indoor use only



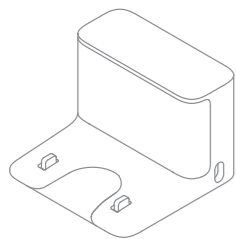
Read operator's manual

Hereby, Dreame Trading (Tianjin) Co., Ltd. declares that the radio equipment type RLD34GA is in compliance with Directive 2014/53/EU. The full text of the EU declaration of conformity is available at the following internet address: <https://global.dreameotech.com>
For detailed e-manual, please go to <https://global.dreameotech.com/pages/user-manuals-and-faqs>

Package Contents



Robot

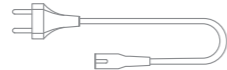


Charging Dock

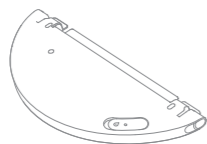
Other Accessories



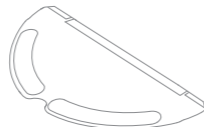
Side Brush



Power Cord

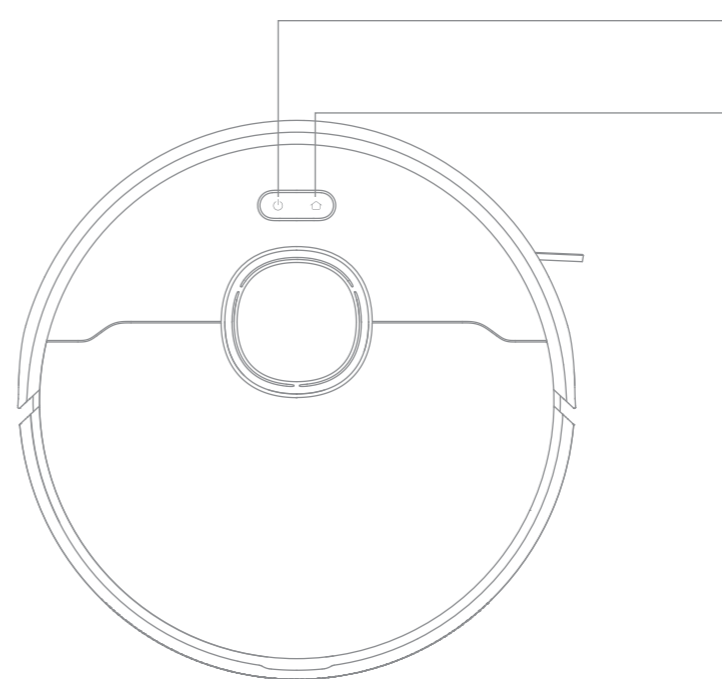
Cleaning Tool
(pre-installed)

Water Tank

Mop Pad
(pre-installed)

User Manual

Robot



- **Power/Clean Button**
 - Press and hold for 3 seconds to turn on or off
 - Press to start cleaning after the robot is turned on

- **Dock/Spot Cleaning Button**
 - Press to send the robot back to the charging dock
 - Press and hold for 3 seconds to start spot cleaning

Status Indicator

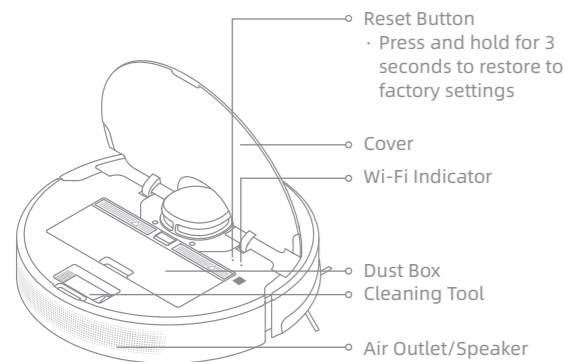
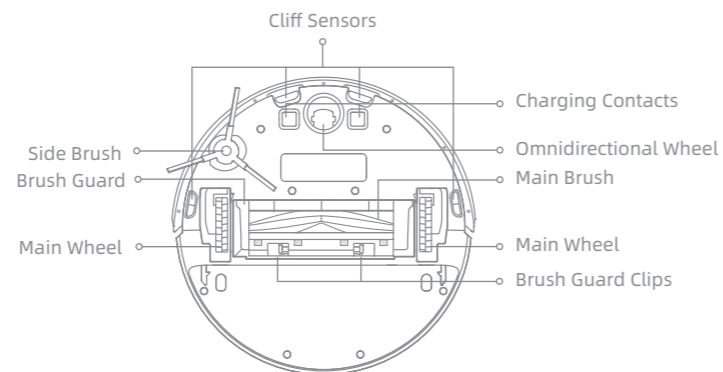
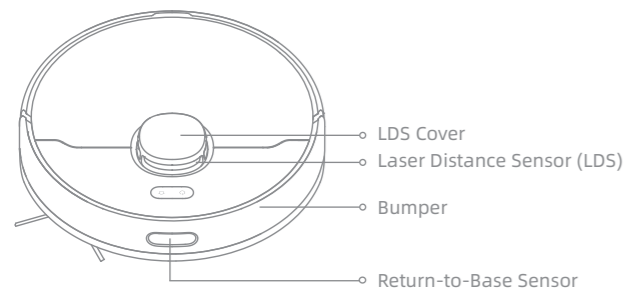
- **Solid White:** Cleaning or cleanup is completed
- **Blinking Orange:** Error
- **Breathing White:** Robot is charging when the battery power is not low

Note:

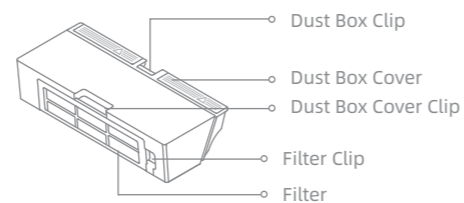
- Press any button on the robot to pause while the robot is cleaning or returning to charge.
- Child Lock can be enabled/disabled through the Dreamehome app.

Product Overview

Robot and Sensors



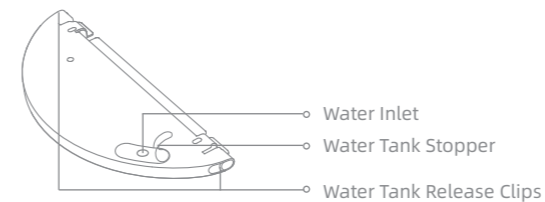
Dust Box



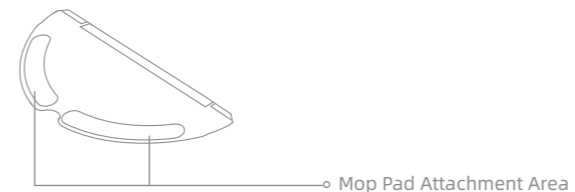
Product Overview

Mopping Module

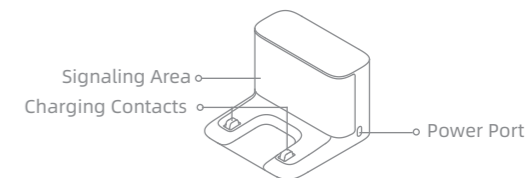
Water Tank



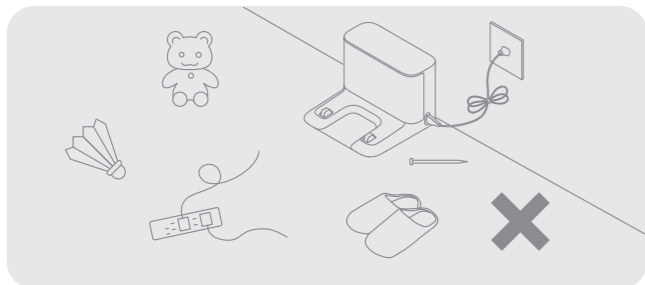
Mop Pad



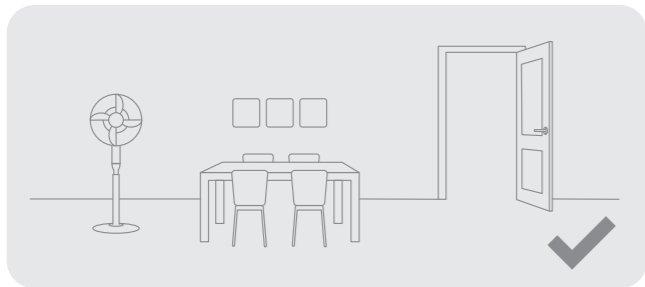
Charging Dock



Preparing Your Home



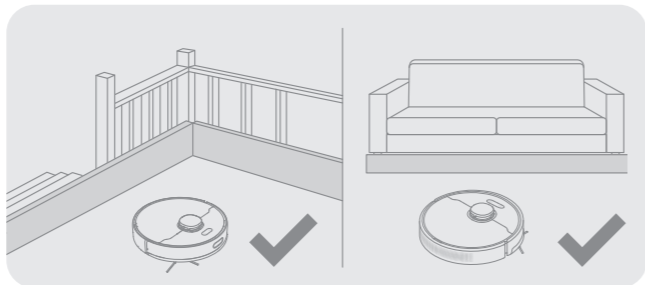
Before cleaning, please move away unstable, fragile, valuable or dangerous items, and clean up cables, cloths, toys, hard objects and sharp objects on the ground to avoid being entangled, scratched or knocked over by the robot and causing losses.



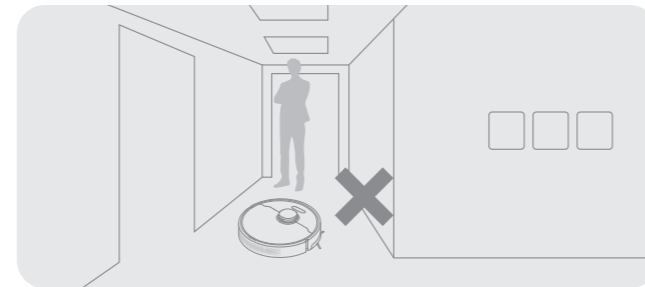
Open the door of the room to be cleaned, and put the furniture in its proper place to leave more space.

Note:

- When operating the robot for the first time, follow it around while cleaning to remove any potential obstacles in time.
- Do not vacuum hard objects like stones, steel balls and toy parts, or sharp objects like construction waste, broken glass and nails, otherwise the ground may be scratched.



Before cleaning, place a physical barrier at the edge of the stairs and sofa to ensure secure and smooth operation of the robot.



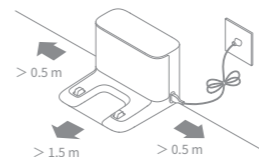
To prevent the robot from not recognizing areas that need to be cleaned, do not stand in front of the robot, or in a threshold, hallway, or narrow places.

Before Use

1. Place the Charging Dock and Connect to an Electrical Outlet

Place the charging dock on level ground against the wall. Insert the power cord into the charging dock and plug it into the socket.

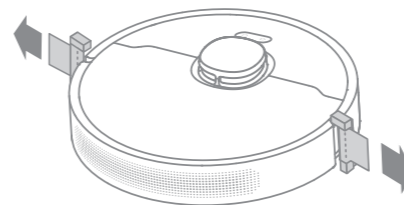
- Place the charging dock in a location that is as open as possible with a good Wi-Fi signal.



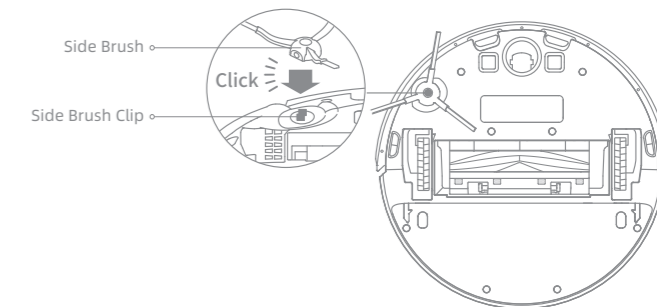
Note:

- Remove any objects that are closer than 1.5 m from the front and 0.5 m from either side of the charging dock.
- Do not place the charging dock in an area with direct sunlight or where other objects might block the signal, as this may hinder the robot from returning to the charging dock.

2. Remove the Protections



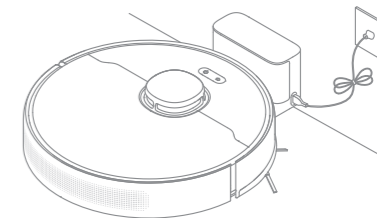
3. Install the Side Brush



Note: Install the side brush until it clicks into place.

4. Charge the Robot

When placing the robot, align the charging contacts at the bottom of the robot with the charging contacts of the charging dock, and the robot will automatically turn on and start charging.

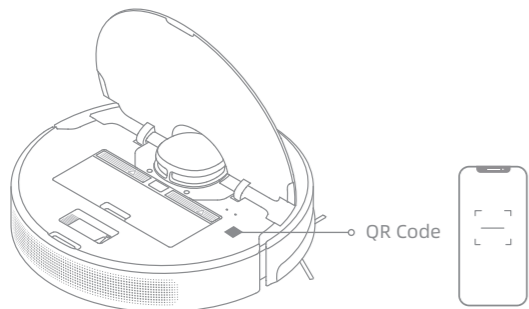


Note: It is recommended to fully charge your robot before first time use.

Connecting with Dreamehome App

1. Download the Dreamehome App

Scan the QR code on the robot, or search "Dreamehome" in the app store to download and install the app.

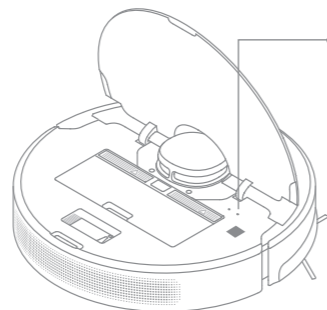


Note:

- Only 2.4 GHz Wi-Fi is supported.
- Due to upgrades in the app software, the actual operations may differ from the directions in this manual. Please follow the instructions based on the current app version.

2. Add Device

Open the Dreamehome app, tap "+" in the upper right corner, and scan the same QR code on the robot again to add the device. Please follow the prompts to finish the Wi-Fi connection.





- Wi-Fi Indicator
- **Blinking slowly:** To be connected
 - **Blinking quickly:** Connecting
 - **On:** Connected

Note: If you want to reset Wi-Fi, repeat step 2 and then follow the prompts to finish the Wi-Fi connection.

How to Use


Turn On/Off

Press and hold the button  for 3 seconds to turn on the robot. The power indicator should be illuminated. Place the robot onto the charging dock, the robot should turn on automatically and begin charging. To turn off the robot, move the robot away from the dock and press and hold the  button for 3 seconds.

Fast Mapping

After configuring the network for the first time, follow the instructions in the app to quickly create a map. The robot will start mapping without cleaning. When the robot returns to the charging dock, the mapping process has been completed and the map will be saved automatically.

Start Cleaning

Press the button  to start cleaning after the robot is turned on. Then, the robot will accurately map out a route, methodically clean along the edges and walls, then finish by cleaning each room in an S-shaped pattern to ensure a thorough job.

Note: It is recommended that the robot set out from the charging dock before cleaning. Do not move the charging dock while the robot is cleaning. This ensures that the robot returns to charging dock smoothly.

Pause/Sleep

When the robot is running, press any button to pause it.

If the robot is paused for more than 10 minutes, it automatically enters sleep mode. All indicators on the robot will turn off. Press any button on the robot, or use the app to wake up the robot.

Note: If the robot is paused and placed onto the charging dock, the current cleaning task will end.

Auto Resume Cleaning

If the battery is too low, the robot will automatically return to the charging dock to charge. After charging to the appropriate battery level, it will resume unfinished cleaning tasks.

Note: To use this function, please open it in the App.

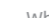
Do Not Disturb (DND) Mode

When the robot is set to Do Not Disturb (DND) mode, the robot will be prevented from resuming cleaning and the power indicator will turn off. DND mode is disabled by default at the factory. You can use the app to enable DND mode or modify the DND period. The DND period is 22:00-8:00 by default.



Note:

- The scheduled cleaning tasks will be performed as usual during the DND period.
- The robot will resume cleanup where it left off after the DND period expires.

Spot Cleaning

When the robot is on standby, press and hold the button  for 3 seconds to enable the spot cleaning mode. In this mode, the robot cleans a square-shaped area of 1.5 × 1.5 meters around it and returns to its starting point once the spot cleaning is completed.

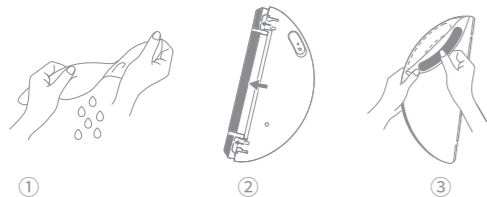
Robot Restarting

If the robot stops responding or cannot be turned off, press and hold the button  for 10 seconds to forcefully turn it off. Then, press and hold the button  for 3 seconds to turn the robot on.

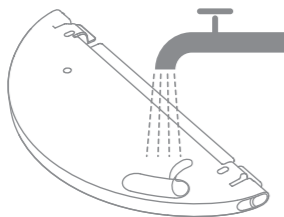
Use Mopping Function

It is recommended that all floors are vacuumed at least three times before the first mopping session to achieve a better cleaning effect.

1. Dampen the mop pad and wring out excess water. Install the mop pad as shown in the diagram.




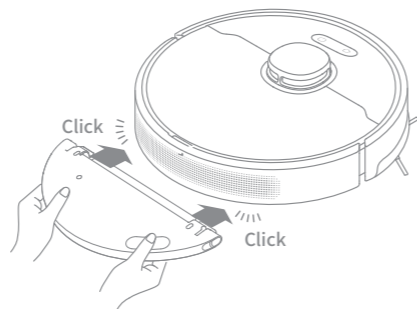
2. Fill the tank with water.



Note:

- Do not use detergent or disinfectant.
- Do not fill the water tank with hot water as this may cause the water tank to warp.

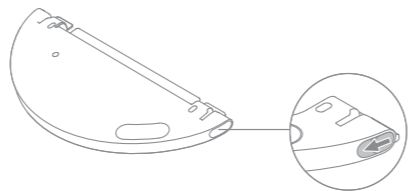
3. Align the mopping module as indicated by the arrow, then slide it into the back of the robot until it clicks into place. Press the button  or use Dreamehome app to start cleaning.



Note:

- It is not recommended to use the mopping function on carpets.
- Use the app to adjust the water flow as required.

4. When the robot finishes a cleaning task and returns to the charging dock, remove the mopping module and wash the mop pad in time. To remove the water tank, slide the two release clips on the side of it to take it out.



Note: When the robot is charging or not in use, remove the mopping module, pour out all the remaining water in the water tank, and clean the mop pad to prevent mildew or odors.

Routine Maintenance

Parts

To keep the robot in good condition, it is recommended to refer to the accessory usage in the app or the following table for routine maintenance.

Part	Maintenance Frequency	Replacement Period
Mop pad	After each use	Every 3 to 6 months
Main brush	Once every 2 weeks	Every 6 to 12 months
Dust box's filter		Every 3 to 6 months
Side brush		
Charging dock's signaling area	Once every month	/
Charging dock's charging contacts		
Omnidirectional wheel		
Laser Distance Sensor (LDS)		
Robot's charging contacts		

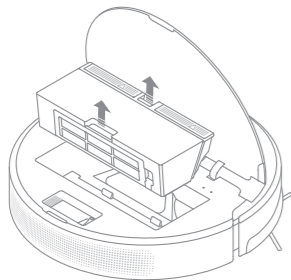
Part	Maintenance Frequency	Replacement Period
Bumper	Once every month	/
Bottom of the robot		
Cliff sensors		
Return-to-Base Sensor		
Water tank	Clean it as needed	/
Dust box		

Note: The replacement frequency will depend on your usage of the robot. If an exception occurs due to special circumstances, the parts should be replaced.

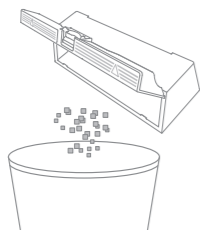
Routine Maintenance

Dust Box

1. Open the robot's cover and press the clip to remove the dust box.

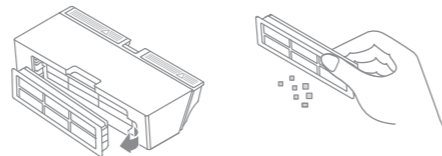


2. Open the dust box cover and empty the dust box as shown in the diagram.



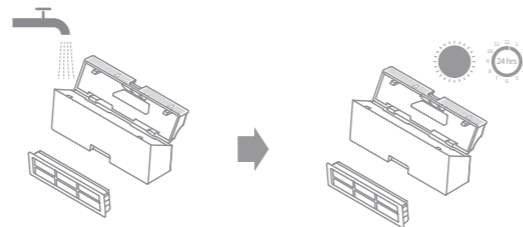
Filter

1. Remove the filter and tap its basket gently.



Note: Do not attempt to clean the filter with a brush, a finger or sharp objects to prevent damage.

2. Rinse the dust box and filter with clean water and dry them completely before reinstalling.



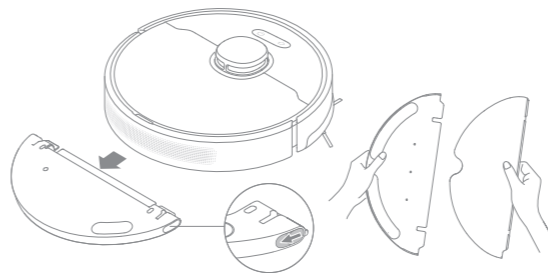
Note:

- Rinse the dust box and filter with clean water only. Do not use any detergent.
- Use the dust box and filter only when they are completely dry.

Routine Maintenance

Mopping Module

1. Slide the two release clips on the side of the water tank, remove the mopping module, and pull the mop pad off the mopping module.

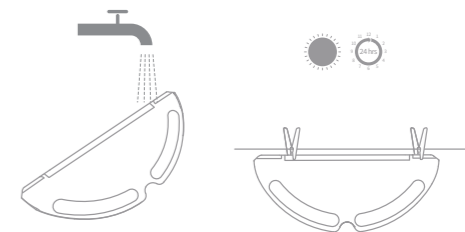


2. Pour out the water in the tank. Clean the tank with water only and leave it to air dry before reinstalling.



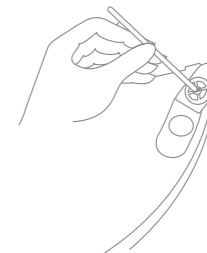
Note: Do not directly expose the water tank to sunlight.

3. Clean the mop pad with water only and leave it to air dry before reinstalling.



Note: Remove the mop pad from the mopping module before cleaning it, and make sure dirty water does not flow back into the water outlet to avoid clogging.

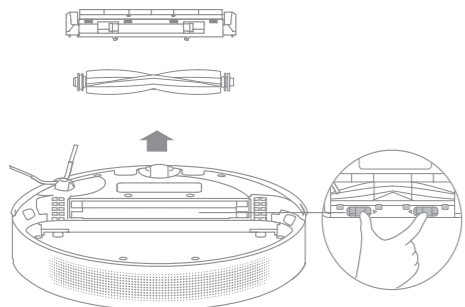
4. If slow water flow occurs, or the water volume is not well-distributed, clean the air hole in the cover of the water tank.



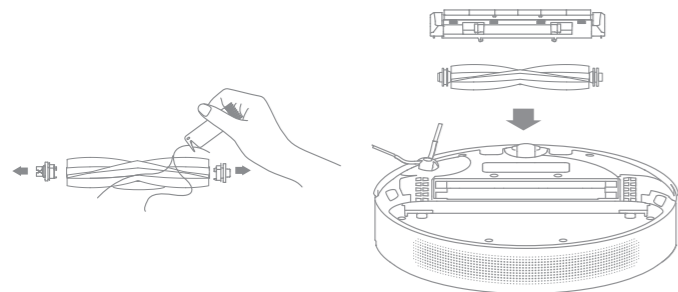
Routine Maintenance

Main Brush

1. Press the brush guard clips inwards to remove the brush guard and lift the brush out of the robot.



2. Pull out the brush covers at both ends of the brush as shown in the diagram. Use the provided cleaning tool to remove any hair tangled in the brush. Reinstall the brush covers on both ends of the brush, and then reinstall the brush. Press on the brush guard to lock it in place.

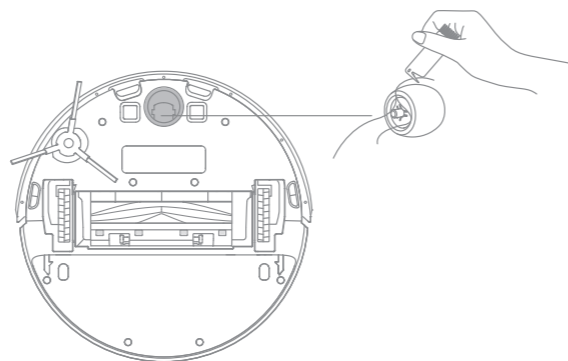


Side Brush

Remove and clean the side brush.



Omnidirectional Wheel



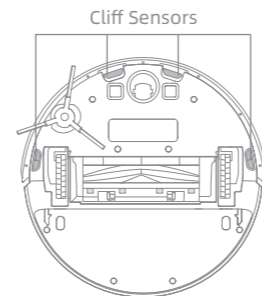
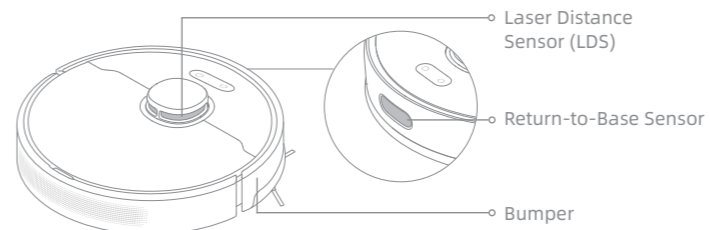
Note:

- Use a tool such as a small screwdriver to separate the axle and tire of the omnidirectional wheel. Do not use excessive force.
- Rinse the omnidirectional wheel under the running water and put it back after drying it completely.

Routine Maintenance

Robot Sensors

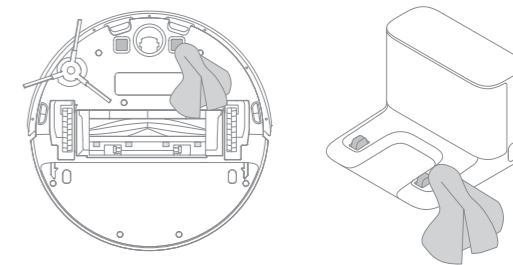
Wipe robot sensors by using a soft and dry cloth, as shown in the below figure:



Note : A wet cloth can damage sensitive elements within the robot and the charging dock. Please use a dry cloth for cleaning.

Charging Contacts and Signaling Area

Clean the charging contacts and the signaling area with a soft and dry cloth.



Battery

The robot contains a high-performance lithium-ion battery pack. Make sure that the battery remains well-charged for daily use to maintain optimal battery performance. If the robot is not used for an extended period of time, turn it off and put it away. To prevent damages from over-discharging, charge the robot at least once every three months.

Troubleshooting

Problem	Solution
Robot does not turn on.	The battery is low. Recharge the robot on the charging dock, then try again. The temperature of the battery is too low or too high. It is recommended to operate the appliance at a temperature between 32 °F (0 °C) and 104 °F (40 °C).
Robot does not recharge.	The charging dock is not receiving power. Please confirm that both ends of the power cord are plugged in correctly. Poor contact. Clean charging contacts of the charging dock and robot.
Robot does not return to charging dock.	There are too many obstructions around the charging dock. Place the charging dock in a more open area. Please clean the dock's signaling area.
Robot is malfunctioning.	Turn off the robot and then reactivate it.
Robot is making a strange noise.	A foreign object may be caught in the main brush, side brush, or one of the main wheels. Stop the robot and remove any debris.
Robot no longer cleans efficiently or leaves dust behind.	The dust box is full. Please clean it. The filter is blocked. Please clean it. A foreign object is caught in the main brush. Please clean it.

Troubleshooting

Problem	Solution
Robot cannot connect to Wi-Fi.	There is something wrong with the Wi-Fi connection. Reset the Wi-Fi and download the latest version of the Dreamehome app, then try reconnecting. Location permission is not open. Please ensure the location permission on the Dreamehome app is enabled. Wi-Fi signal is weak. Make sure the robot is in an area with good Wi-Fi coverage. 5GHz Wi-Fi is not supported. Please ensure your robot connects to 2.4GHz Wi-Fi. The username or password of Wi-Fi is incorrect. Please enter the correct username and password.
Robot does not perform scheduled cleaning.	The robot has low battery. Scheduled cleaning will not start unless the robot has at least 15% battery left.
Does leaving the robot on the charging dock consume power if it is already fully charged?	Leaving the robot on the charging dock after it's fully charged consumes very little electricity and helps maintain optimal battery performance.
No water comes out of the water tank, or only a little bit comes out.	Check whether there is water inside the water tank. Clean the mop pad if it becomes dirty. Make sure the mop pad is installed correctly according to the User Manual. Clean the air hole on the water tank stopper.
Robot doesn't resume cleaning after charging.	Make sure the robot is not set to Do Not Disturb mode (DND), which will prevent it from resuming cleaning. The robot does not resume cleaning when it is manually recharged or placed onto the charging dock.
Robot doesn't return to charging dock after being moved.	Moving the robot may cause it to re-position itself or re-map its surroundings. If the robot is too far from the charging dock, it might not be able to automatically return on its own, in which case you need to manually place the robot onto the charging dock.

For more support, contact us via <https://global.dreameotech.com>

Specifications

Robot

Model	RLD34GA
Charging Time	Approx. 6 hours
Rated Voltage	14.4 V ⁻⁻⁻
Rated Power	75 W
Operation Frequency	2400-2483.5 MHz
Maximum Output Power	< 20 dBm

Under normal use of condition, this equipment should be kept a separation distance of at least 20 cm between the antenna and the body of the user.

Charging Dock

Model	RCS0
Rated Input	100-240 V~ 50/60 Hz 0.5 A
Rated Output	19.8 V ⁻⁻⁻ 1 A

Battery Disposal and Removal

The built-in lithium-ion battery contains substances that are hazardous to the environment. Before disposing of the battery, make sure the battery is removed by qualified technicians and discarded at an appropriate recycling facility.

- the battery must be removed from the appliance before it is scrapped;
- the appliance must be disconnected from the supply mains when removing the battery;
- the battery is to be disposed of safely.

CAUTION:

Before removing the battery, disconnect the power and run out the battery as much as possible.

Unneeded batteries should be discarded at an appropriate recycling facility.

Do not expose to high temperature environment to avoid risks of explosion.

Under abusive conditions, liquid may be ejected from the battery. If contact occurs, flush with water and seek medical help.

Removal Guide:

1. Turn over the robot, use a proper tool to remove the screws on the back of the robot, and then remove the cover.
2. Unplug the terminals between the battery and PCB board to remove the battery.

WEEE Information



All products bearing this symbol are waste electrical and electronic equipment (WEEE as in directive 2012/19/EU) which should not be mixed with unsorted household waste. Instead, you should protect human health and the environment by handing over your waste equipment to a designated collection point for the recycling of waste electrical and electronic equipment, appointed by the government or local authorities. Correct disposal and recycling will help prevent potential negative consequences to the environment and human health. Please contact the installer or local authorities for more information about the location as well as terms and conditions of such collection points.

Um Stromschläge, Brände oder Verletzungen durch unsachgemäßen Gebrauch des Geräts zu vermeiden, lesen Sie bitte die Bedienungsanleitung vor dem Gebrauch sorgfältig durch und bewahren Sie sie zum späteren Gebrauch auf.

Nutzungseinschränkungen

- Um einen sicheren Betrieb zu gewährleisten und Risiken zu vermeiden, darf dieses Produkt nicht von Kindern unter 8 Jahren, von Personen mit körperlichen, sensorischen oder geistigen Einschränkungen oder von Personen mit mangelnden Kenntnissen ohne Aufsicht eines Elternteils oder Vormunds verwendet werden. Kinder dürfen die Reinigung und Wartung nicht ohne Aufsicht durchführen.
- Kinder dürfen nicht mit diesem Produkt spielen. Sorgen Sie dafür, dass Kinder und Haustiere während des Betriebs des Roboters einen sicheren Abstand zum Gerät halten.
- Wenn das Stromkabel beschädigt ist, schalten Sie das Gerät sofort aus und wenden Sie sich an den Kundendienst.
- Dieses Produkt ist nur für die Bodenreinigung in einer häuslichen Umgebung geeignet. Benutzen Sie es nicht im Freien, auf anderen Oberflächen als dem Boden oder in einer kommerziellen oder industriellen Umgebung.
- Verwenden Sie den Roboter nicht in einem Bereich, der sich über dem Bodenniveau befindet und der nicht durch eine Schutzbarriere begrenzt wird.
- Stellen Sie den Roboter nicht auf den Kopf. Verwenden Sie die LDS-Abdeckung, die Roboterabdeckung oder den Bumper nicht als Griff für den Roboter.
- Benutzen Sie den Roboterstaubsauger in Umgebungen mit einer Umgebungstemperatur von über 0°C und unter 40°C. Achten Sie darauf, dass sich keine Flüssigkeit oder klebrige Substanz auf dem Boden befindet.
- Heben Sie Kabel vom Boden auf, bevor Sie den Roboter benutzen, um zu verhindern, dass diese während der Reinigung mitgezogen werden.
- Entfernen Sie zerbrechliche oder kleine Gegenstände vom Boden, um zu verhindern, dass der Roboter sie anstößt und beschädigt.

Nutzungseinschränkungen

- Entfernen Sie lose Gegenstände vom Boden und entfernen Sie Kabel oder Netzkabel am Reinigungsweg, bevor Sie das Gerät in Betrieb nehmen, um Schäden oder Schäden beim Anziehen zu verhindern.
- Halten Sie Haare, Finger und andere Körperteile von der Saugöffnung des Roboters fern.
- Bitte halten Sie die Reinigungswerkzeuge für die Bürste von Kindern fern.
- Kinder, Haustiere oder Gegenstände dürfen weder auf dem stillstehenden noch dem sich bewegenden Roboter positioniert werden.
- Benutzen Sie den Roboter nicht zum Aufwischen oder Aufsaugen brennender Substanzen. Verwenden Sie den Roboter nicht zum Aufsaugen von entflammbar oder brennbaren Flüssigkeiten, ätzenden Gasen oder unverdünnten Säuren oder Lösungsmitteln.
- Saugen Sie keine harten oder scharfen Gegenstände ein. Verwenden Sie das Gerät nicht zum Aufnehmen von Gegenständen wie Steinen, großen Papierstücken oder anderen Dingen, die das Gerät verstopfen könnten.
- Stellen Sie sicher, dass der Roboter ausgeschaltet und die Ladestation vom Strom getrennt ist, bevor Sie Reinigungs- oder Wartungsarbeiten durchführen.
- Verwenden Sie kein nasses Tuch zum Abwischen oder eine Flüssigkeit zum Spülen des Roboters und der Ladestation. Waschbare Teile müssen vollständig getrocknet werden, bevor sie installiert und verwendet werden.
- Stellen Sie sicher, dass der Roboter beim Transport ausgeschaltet ist und möglichst in der Originalverpackung befördert wird.
- Bitte verwenden Sie das Produkt gemäß den Anweisungen im Benutzerhandbuch. Der Benutzer ist für jeglichen Verlust oder Schaden verantwortlich, der aufgrund inkorrekt Verwendung dieses Produkts entsteht.

Akkus und Ladung

- Verwenden Sie keine Batterien, Netzkabel oder Ladestationen von Drittanbietern. Bitte ausschließlich mit RCS0 Netzgerät verwenden.
- Versuchen Sie nicht, den Akku oder die Ladestation selbst zu zerlegen, zu reparieren oder zu modifizieren.
- Stellen Sie die Ladestation nicht in der Nähe einer Wärmequelle ab.
- Benutzen Sie kein nasses Tuch oder nasse Hände, um die Ladekontakte der Ladestation zu reinigen.
- Entsorgen Sie alte Akkus sachgemäß. Unbenutzte Akkus sollten in einer geeigneten Recycling-Einrichtung entsorgt werden.
- Wenn der Roboter für eine längere Zeit nicht benutzt werden soll, laden Sie ihn voll auf, schalten ihn aus und lagern ihn an einem kühlen und trockenen Ort. Laden Sie den Roboter mindestens je 3 Monate auf, um eine Tiefentladung des Akkus zu vermeiden.
- Dieses Produkt enthält Akkus, die nur von qualifizierten Technikern oder dem Kundendienst ausgetauscht werden können.

Informationen zur Lasersicherheit

- Der Lasersensor in diesem Produkt entspricht der Norm IEC 60825-1:2014/EN 60825-1:2014/A11:2021 für Laserprodukte der Klasse 1. Bei der Verwendung ist direkter Augenkontakt zu vermeiden.
LASERPRODUKT DER KLASSE 1
LASERPRODUKT FÜR VERBRAUCHER
EN 50689:2021



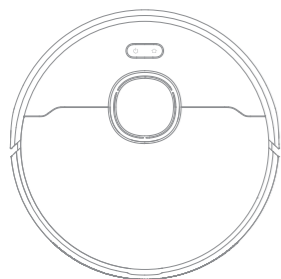
Nur für den Innenbereich geeignet



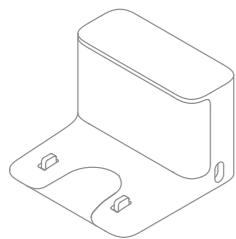
Lesen Sie das Benutzerhandbuch

Hiermit erklärt Dreame Trading(Tianjin)Co., Ltd. dass das Funkgerät des Typs RLD34GA den Anforderungen der Richtlinie 2014/53/EU entspricht. Der vollständige Text der EU-Konformitätserklärung kann unter folgender Internetadresse eingesehen werden: <https://global.dreametech.com>
Ein ausführliches elektronisches Handbuch finden Sie unter <https://global.dreametech.com/pages/user-manuals-and-faqs>.

Packungsinhalt



Roboter

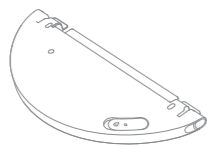


Ladestation

Anderes Zubehör



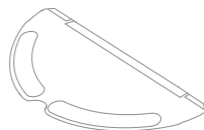
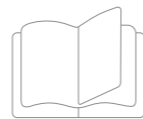
Seitenbürste



Wasserbehälter



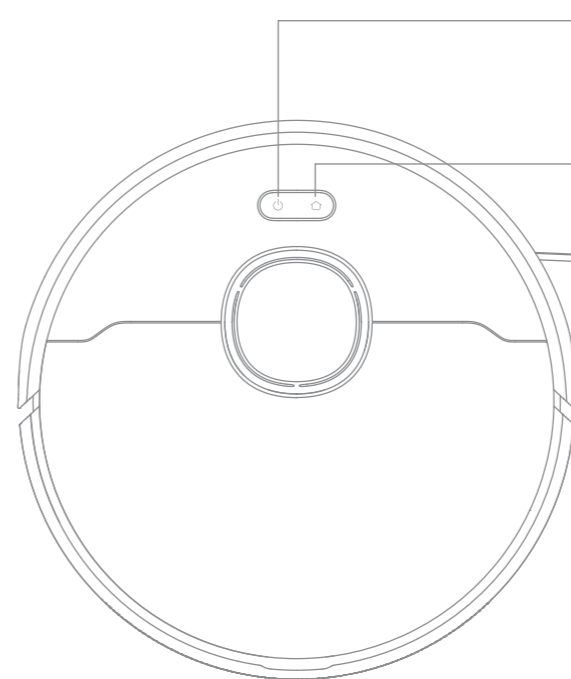
Netzkabel

Wischpad
(vorinstalliert)Reinigungswerkzeug
(vorinstalliert)

Benutzerhandbuch

Produktübersicht

Roboter



- ⏻ **Einschalt-/Reinigungstaste**
 - Halten Sie die Taste 3 Sekunden lang gedrückt, um das Gerät ein- oder auszuschalten
 - Drücken Sie diese Taste, um die Reinigung nach dem Einschalten des Roboters zu starten

- 🏠 **Andock-/Punktreinigungstaste**
 - Drücken, um den Roboter zurück in die Ladestation zu schicken
 - Halten Sie die Taste 3 Sekunden lang gedrückt, um die Punktreinigung zu starten

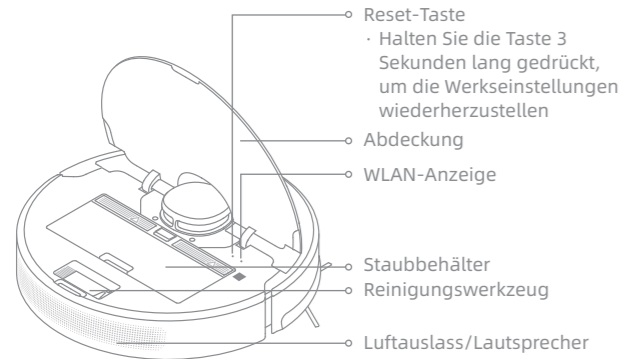
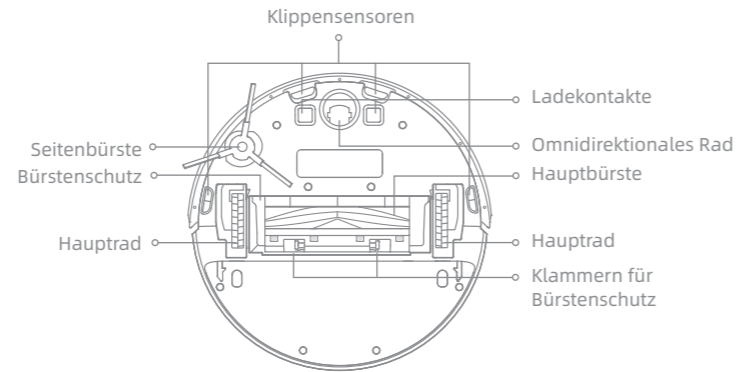
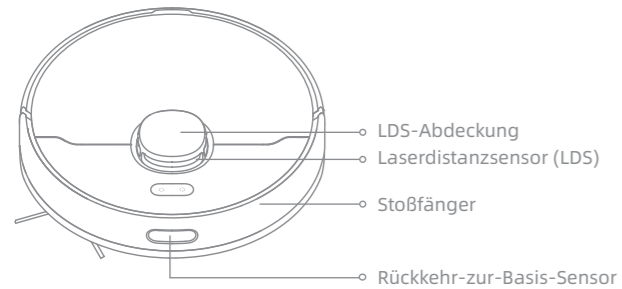
Status-Anzeige

- **Leuchtet weiß:** Reinigung oder Säuberung abgeschlossen
- **Blinkt Orange:** Fehler
- **Hauchend weiß:** Der Roboter wird aufgeladen, wenn der Akkustand nicht niedrig ist.

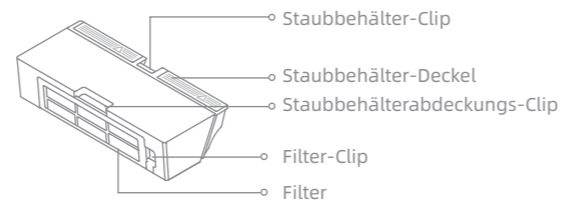
Hinweis:

- Durch Drücken einer beliebigen Taste am Roboter können Sie den Reinigungsvorgang unterbrechen oder die Ladung des Roboters fortsetzen.
- Die Kindersicherung kann über die „Dreamehome“ App aktiviert/ deaktiviert werden.

Roboter und Sensoren

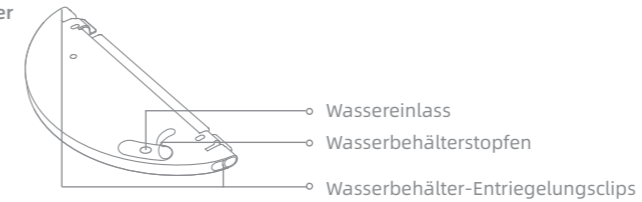


Staubbehälter

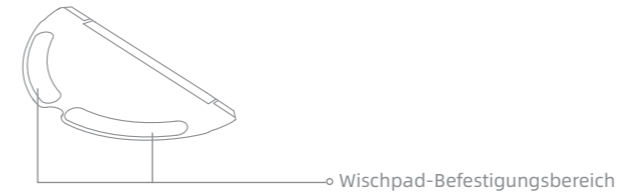


Wischmodul

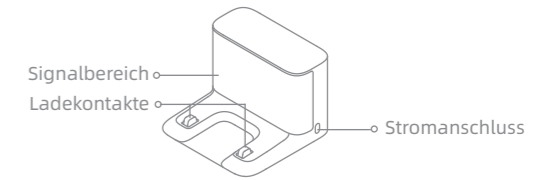
Wasserbehälter



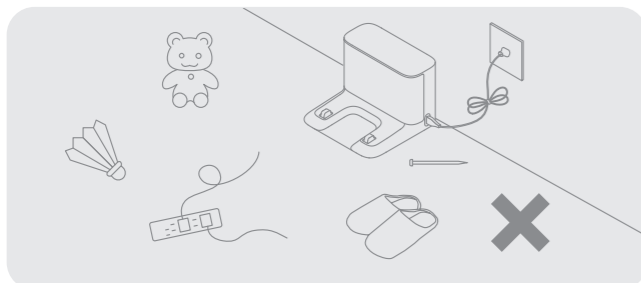
Wischpad



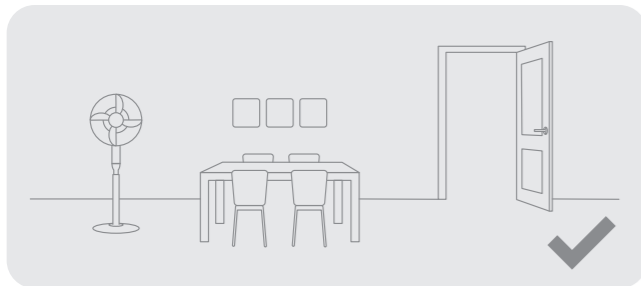
Ladestation



Ihr Zuhause vorbereiten



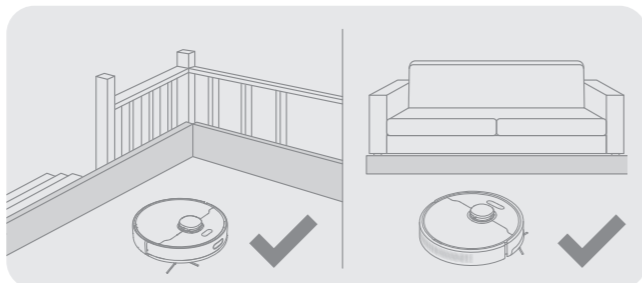
Entfernen Sie vor der Reinigung instabile, zerbrechliche, wertvolle oder gefährliche Gegenstände und räumen Sie Kabel, Tücher, Spielzeug, harte und scharfe Gegenstände vom Fußboden auf, um ein Verfangen, Zerkratzen oder Umfallen des Roboters und damit verbundene Verluste zu vermeiden.



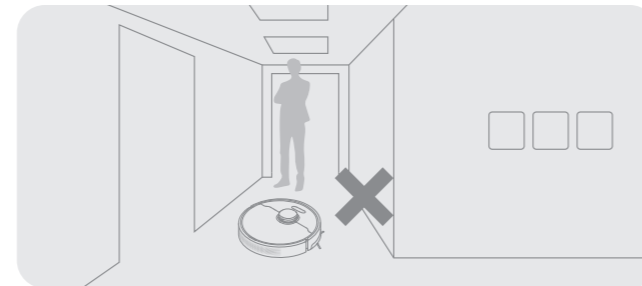
Öffnen Sie die Tür des zu reinigenden Raumes und stellen Sie die Möbel in die geeignete Position, um mehr Platz zu schaffen.

Hinweis:

- Folgen Sie dem Roboter bei der ersten Inbetriebnahme während des Reinigungsvorgangs, um mögliche Hindernisse rechtzeitig zu entfernen.
- Saugen Sie keine harten Gegenstände wie Steine, Stahlkugeln und Spielzeugteile oder scharfe Gegenstände wie Bauschutt, Glasscherben und Nägel auf, da dadurch der Boden verkratzt werden kann.



Montieren Sie vor der Reinigung die physische Barriere an den Kanten von Treppen und Möbeln, um dem Roboter ein reibungsloses Arbeiten zu ermöglichen.



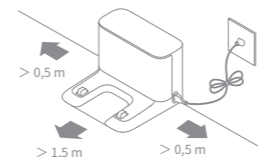
Um zu verhindern, dass der Roboter den zu reinigenden Bereich nicht erkennt, stellen Sie sich nicht vor den Roboter bzw. vor eine Schwelle, im Gang oder an engen Stellen.

Vor der Verwendung

1. Platzieren Sie die Ladestation und schließen Sie sie an eine Steckdose an

Stellen Sie die Ladestation auf ebennem Boden an die Wand. Schließen Sie das Netzkabel an die Ladestation und stecken Sie es an die Steckdose.

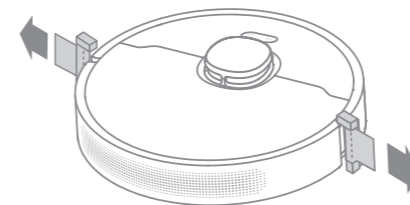
- Stellen Sie die Ladestation an einem möglichst freistehenden Ort mit gutem WLAN-Signal auf.



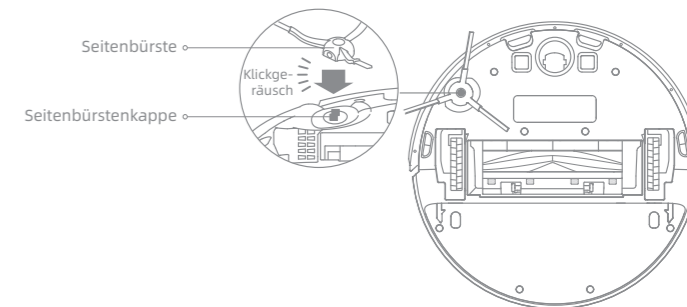
Hinweis:

- Entfernen Sie alle Gegenstände, die sich näher als 1,5 m von der Vorderseite und 0,5 m von jeder Seite der Ladestation befinden.
- Stellen Sie die Ladestation nicht in einem Bereich mit direkter Sonneneinstrahlung oder an einem Ort auf, an dem andere Objekte das Signal blockieren könnten, da dies die Rückkehr des Roboters zur Ladestation behindern könnte.

2. Schutzvorrichtungen entfernen



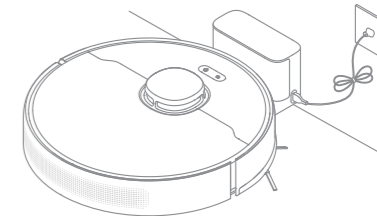
3. Installieren Sie die Seitenbürste



Hinweis: Installieren Sie die Seitenbürste, bis sie einrastet.

4. Laden Sie den Roboter auf

Richten Sie beim Aufstellen des Roboters die Ladekontakte an der Unterseite des Roboters auf die Ladekontakte der Ladestation aus. Der Roboter schaltet sich daraufhin automatisch ein und beginnt mit dem Aufladen.

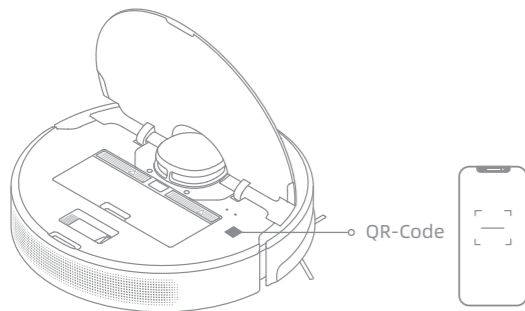


Hinweis: Wir empfehlen, den Roboter vor dem ersten Gebrauch vollständig aufzuladen.

Verbinden mit der „Dreamehome“ App

1. Laden Sie die Dreamehome App herunter

Scannen Sie den QR-Code auf dem Roboter, oder suchen Sie im App-Store nach „Dreamehome“, um die App herunterzuladen und zu installieren.

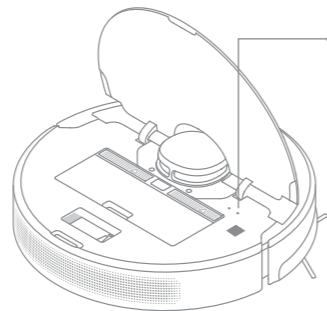


Hinweis:

- Es wird nur 2,4 GHz WLAN unterstützt.
- Aufgrund von Aktualisierungen der App-Software kann der tatsächliche Betrieb von den Anweisungen in dieser Anleitung abweichen. Bitte folgen Sie den auf der aktuellen App-Version basierenden Anweisungen.

2. Gerät hinzufügen

Öffnen Sie die „Dreamehome“ App, tippen Sie auf „+“ in der oberen rechten Ecke und scannen Sie den gleichen QR-Code auf dem Roboter erneut, um das Gerät hinzuzufügen. Bitte folgen Sie den Anweisungen, um die WLAN-Verbindung herzustellen.



- WLAN-Anzeige
- **Blinkt langsam:** Verbindung wird hergestellt
 - **Blinkt schnell:** Am Verbinden
 - **Ein:** Verbunden

Hinweis: Zum Zurücksetzen der WLAN-Verbindung wiederholen Sie Schritt 2 und folgen Sie den Anweisungen, um die WLAN-Verbindung zu erstellen.

Anwendung

Einschalten/Ausschalten

Zum Einschalten des Roboters halten Sie die Taste \odot 3 Sekunden lang gedrückt. Die Betriebsanzeige sollte leuchten. Stellen Sie den Roboter auf die Ladestation. Der Roboter sollte sich automatisch einschalten und mit dem Aufladen beginnen. Um den Roboter auszuschalten, entfernen Sie den Roboter von der Ladestation und halten Sie die Taste \odot 3 Sekunden lang gedrückt.

Schnelle Kartenerstellung

Nach der erstmaligen Konfiguration des Netzwerks folgen Sie zur schnellen Kartenerstellung den Anweisungen in der App. Der Roboter beginnt mit der Kartenerstellung ohne Reinigung. Wenn der Roboter zur Ladestation zurückkehrt, ist die Kartenerstellung abgeschlossen und die Karte wird automatisch gespeichert.

Reinigung starten

Drücken Sie nach dem Einschalten des Roboters die Taste \odot , um die Reinigung zu starten. Danach legt der Roboter eine genaue Route fest, reinigt methodisch entlang der Kanten und Wände und reinigt schließlich jeden Raum in einem S-förmigen Muster, wodurch eine gründliche Reinigung gewährleistet wird.

Hinweis: Es wird empfohlen, dass der Roboter vor der Reinigung von der Ladestation losfährt. Bewegen Sie die Ladestation nicht, während der Roboter eine Reinigung durchführt. Dadurch wird sichergestellt, dass der Roboter problemlos zur Ladestation zurückkehren kann.

Pause/Ruhemodus

Wenn der Roboter läuft, drücken Sie eine beliebige Taste, um ihn anzuhalten.

Wird der Roboter länger als 10 Minuten angehalten, geht er automatisch in den Ruhemodus über. Alle Anzeigen am Roboter schalten sich aus. Drücken Sie eine beliebige Taste auf dem Roboter, oder nutzen Sie die App, um den Roboter wieder in Betrieb zu nehmen.

Hinweis: Wird der Roboter ausgeschaltet und auf die Ladestation gestellt, endet die aktuelle Reinigungsaufgabe.

Reinigung automatisch fortsetzen

Wenn der Akku zu schwach ist, kehrt der Roboter automatisch zur Ladestation zum Aufladen zurück. Wenn der Akku ausreichend aufgeladen ist, setzt er die noch nicht abgeschlossenen Reinigungsaufgaben fort.

Hinweis: Zur Nutzung dieser Funktion müssen Sie diese in der App öffnen.

Nicht-Stören-Modus (DND)

Ist der Roboter auf den Nicht-Stören-Modus (DND) eingestellt, kann er die Reinigung nicht fortsetzen und die Betriebsanzeige erlischt. Der Nicht-Stören-Modus (DND) ist ab Werk standardmäßig deaktiviert. Sie können den Nicht-Stören-Modus (DND) über die App aktivieren oder den DND-Zeitraum ändern. Der Nicht-Stören-Zeitraum (DND) ist standardmäßig auf 22:00-8:00 Uhr eingestellt.

Hinweis:

- Die geplanten Reinigungsaufgaben werden während des Nicht-Stören-Zeitraums (DND) wie gewohnt ausgeführt.
- Der Roboter wird die Reinigung fortsetzen, wo er nach Ablauf des DND-Zeitraums aufgehört hat.

Punktreinigung

Drücken Sie im Standby-Modus des Roboters die Taste \uparrow und halten Sie diese 3 Sekunden lang gedrückt, um den Punktreinigungsmodus zu aktivieren. In diesem Modus reinigt der Roboter einen quadratischen Bereich von 1,5 x 1,5 Meter um ihn herum und kehrt zu seinem Ausgangspunkt zurück, sobald die Reinigung bestimmter Bereiche abgeschlossen ist.

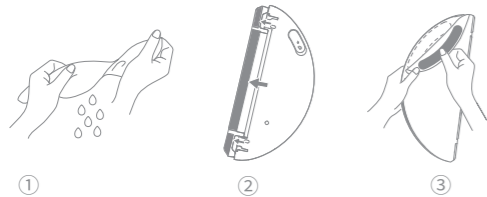
Roboter neu starten

Wenn der Roboter nicht mehr reagiert oder sich nicht ausschalten lässt, halten Sie die Taste \odot 10 Sekunden lang gedrückt, um ihn zwangsweise auszuschalten. Zum Einschalten des Roboters halten Sie dann die Taste \odot 3 Sekunden lang gedrückt.

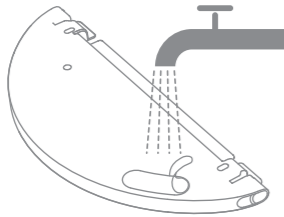
Wischfunktion benutzen

Es wird empfohlen, alle Böden vor dem ersten Wischen mindestens dreimal zu saugen, um eine bessere Reinigungswirkung zu erzielen.

1. Befeuchten Sie den Wischmopp und drücken Sie das überschüssige Wasser aus. Setzen Sie den Wischmopp wie in der Abbildung gezeigt ein.



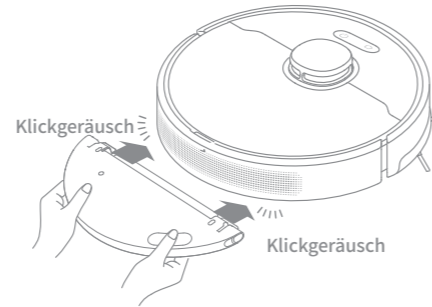
2. Füllen Sie den Wasserbehälter mit Wasser.



Hinweis:

- Verwenden Sie keine Reinigungs- oder Desinfektionsmittel.
- Füllen Sie den Wasserbehälter nicht mit heißem Wasser, da sich der Wasserbehälter dadurch verformen kann.

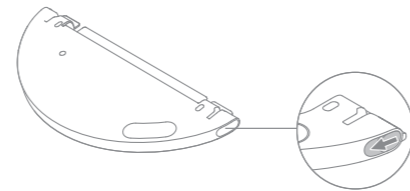
3. Richten Sie das Wischmodul wie mit dem Pfeil angezeigt aus und schieben Sie es hinten in den Roboter, bis es einrastet. Starten Sie die Reinigung durch Drücken der Taste oder über die Dreamehome-App.



Hinweis:

- Es wird nicht empfohlen, die Wischfunktion auf Teppichen zu verwenden.
- Verwenden Sie die App, um den Wasserdurchfluss je nach Bedarf einzustellen.

4. Wenn der Roboter eine Reinigungsaufgabe beendet und zur Ladestation zurückkehrt, entfernen Sie das Wischmopp-Modul und waschen Sie den Wischmopp rechtzeitig. Zum Entfernen des Wassertanks schieben Sie die beiden seitlichen Entriegelungsclips, um ihn herauszunehmen.



Hinweis: Wenn der Roboter aufgeladen wird oder nicht in Gebrauch ist, nehmen Sie das Wischmodul ab, gießen Sie das restliche Wasser aus dem Wassertank und reinigen Sie die Wischmopps, um Schimmel und Geruchsbildung zu vermeiden.

Regelmäßige Wartung

Teile

Um den Roboter in einem einwandfreien Zustand zu halten, wird empfohlen, in der App oder in der folgenden Tabelle die Hinweise zur regelmäßigen Wartung des Zubehörs zu beachten.

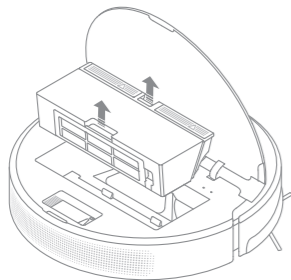
Teil	Wartungsintervall	Häufigkeit des Austausches
Wischpad	Nach jedem Gebrauch	Alle 3 bis 6 Monate
Hauptbürste	Einmal alle 2 Wochen	Alle 6 bis 12 Monate
Staubbehälterfilter		Alle 3 bis 6 Monate
Seitenbürste	Einmal im Monat	/
Signalbereich der Ladestation		
Ladekontakte der Ladestation		
Omnidirektionales Rad		
Laser-Abstandssensor (LDS)		
Ladekontakte des Roboters		

Teil	Wartungsintervall	Häufigkeit des Austausches
Stoßfänger	Einmal im Monat	/
Unterseite des Roboters		
Klippensensoren		
Rückkehr-zur-Basis-Sensor		
Wasserbehälter	Nach Bedarf reinigen	/
Staubbehälter		

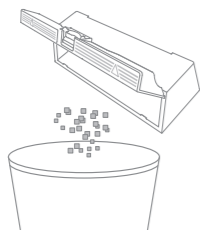
Hinweis: Die Austauschintervalle hängen von der Nutzung des Roboters ab. Sollte durch besondere Umstände eine Ausnahme auftreten, müssen die Teile ausgetauscht werden.

Staubbehälter

1. Öffnen Sie die Abdeckung des Roboters und drücken Sie den Clip, um den Staubbehälter zu entfernen.

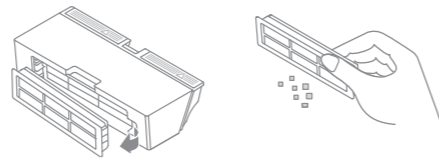


2. Öffnen Sie die Staubbehälter-Abdeckung und leeren Sie den Staubbehälter wie in der Abbildung gezeigt.



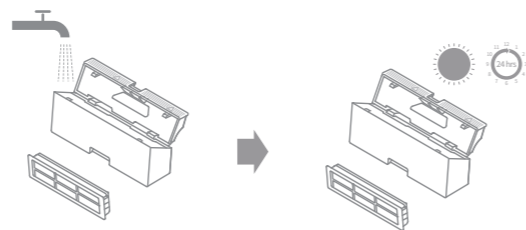
Filter

1. Nehmen Sie den Filter heraus und klopfen Sie vorsichtig auf seinen Filterkorb.



Hinweis: Reinigen Sie den Filter niemals mit einer Bürste, einem Finger oder scharfen Gegenständen, um Schäden zu vermeiden.

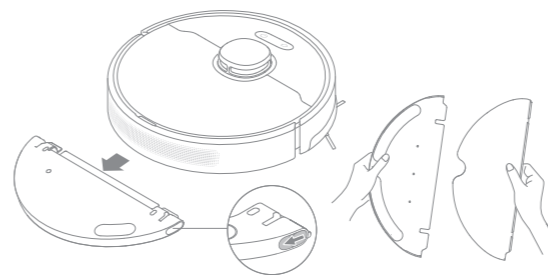
2. Spülen Sie den Staubbehälter und den Filter mit sauberem Wasser ab und trocknen Sie sie vor dem Wiedereinsetzen vollständig ab.

**Hinweis:**

- Spülen Sie den Staubbehälter und den Filter nur mit sauberem Wasser ab. Keine Reinigungsmittel verwenden.
- Verwenden Sie den Staubbehälter und den Filter nur, wenn sie vollständig trocken sind.

Wischmodul

1. Schieben Sie die beiden seitlichen Entriegelungsclips am Wassertank, nehmen Sie das Wischmodul ab und entfernen Sie das Wischpad vom Wischmodul.

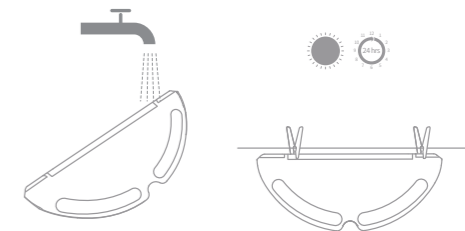


2. Füllen Sie das Wasser im Wasserbehälter aus. Reinigen Sie den Wassertank ausschließlich mit Wasser und lassen Sie ihn vor dem Wiedereinsetzen an der Luft trocknen.



Hinweis: Setzen Sie den Wassertank nicht direkt dem Sonnenlicht aus.

3. Reinigen Sie das Wischpad ausschließlich mit Wasser und lassen Sie es vor dem Wiedereinsetzen an der Luft trocknen.



Hinweis: Entfernen Sie das Wischpad vom Wischmodul, bevor Sie es reinigen, und achten Sie darauf, dass das Schmutzwasser nicht in den Wasserauslass zurückfließt, um Verstopfungen zu vermeiden.

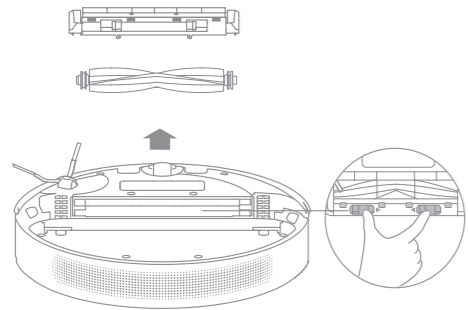
4. Wenn das Wasser nur langsam fließt oder die Wassermenge nicht gut verteilt ist, reinigen Sie die Luftöffnung in der Abdeckung des Wassertanks.



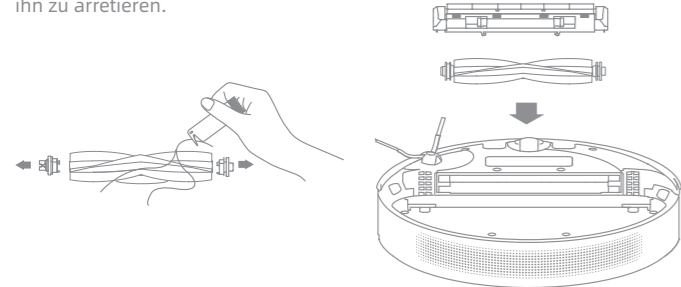
Regelmäßige Wartung

Hauptbürste

1. Drücken Sie den Bürstenschutz-Clip nach innen, um den Bürstenschutz zu entfernen und die Bürste aus dem Roboter zu heben.

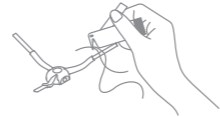


2. Ziehen Sie die Bürstenabdeckungen an beiden Enden der Bürste heraus, wie in der Abbildung gezeigt. Entfernen Sie mit dem mitgelieferten Reinigungswerkzeug alle in der Bürste verhedderten Haare. Bringen Sie die Bürstenabdeckungen an beiden Enden der Bürste wieder an und setzen Sie anschließend die Bürste wieder ein. Drücken Sie auf den Bürstenschutz, um ihn zu arretieren.

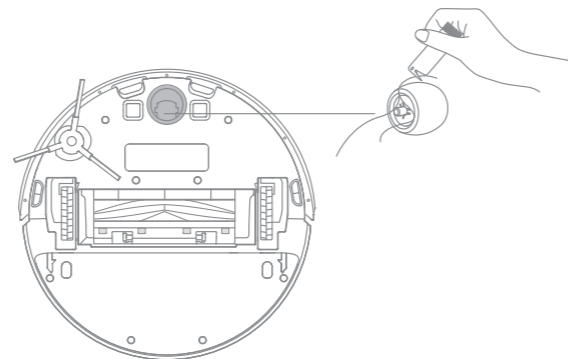


Seitenbürste

Entfernen und reinigen Sie die Seitenbürste.



Omnidirektionales Rad



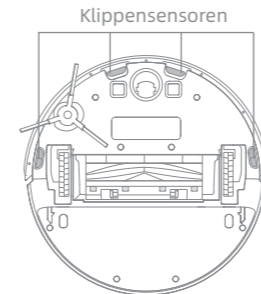
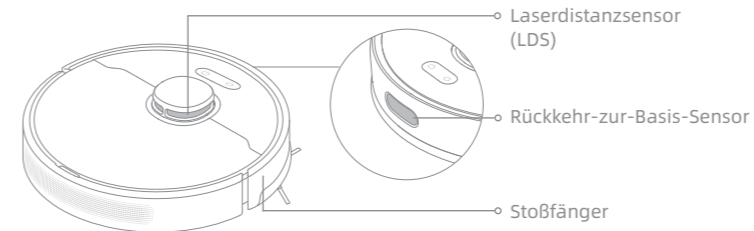
Hinweis:

- Trennen Sie die Achse und den Reifen des Rundumlaufwads mit einem Werkzeug, z. B. einem kleinen Schraubendreher. Üben Sie dabei keine übermäßige Kraft aus.
- Spülen Sie das Rundumlaufrad unter fließendem Wasser ab und setzen Sie es nach dem vollständigen Trocknen wieder ein.

Regelmäßige Wartung

Roboter-Sensoren

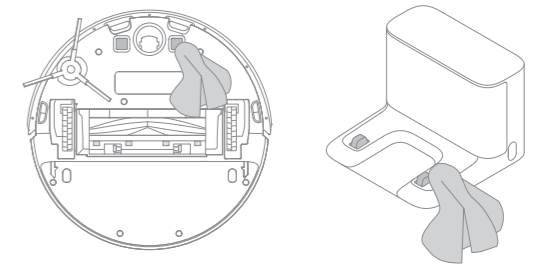
Wischen Sie die Roboter-Sensoren mit einem weichen und trockenen Tuch ab, wie in der folgenden Abbildung dargestellt:



Hinweis: Ein feuchtes Tuch kann empfindliche Elemente im Inneren des Roboters und der Ladestation beschädigen. Bitte nutzen Sie ein trockenes Tuch zur Reinigung.

Ladkontakte und Signalbereich

Reinigen Sie die Ladkontakte und den Signalisierungsbereich mit einem weichen, trockenen Tuch.



Akku

Der Roboter enthält einen leistungsstarken Lithium-Ionen-Akku. Achten Sie bei täglichem Gebrauch auf eine ausreichende Ladung des Akkus, um eine optimale Akkuleistung zu erhalten. Schalten Sie den Roboter bei längerem Nichtgebrauch aus und verstauen Sie ihn. Laden Sie den Roboter mindestens einmal alle drei Monate auf, um Schäden durch Überentladung zu vermeiden.

Problem	Lösung
Der Roboter lässt sich nicht einschalten.	Der Akku ist schwach. Laden Sie den Roboter auf der Ladestation auf und versuchen Sie es dann erneut. Die Temperatur des Akkus ist zu niedrig oder zu hoch. Die empfohlene Betriebstemperatur des Geräts liegt zwischen 0 °C (32 °F) und 40 °C (104 °F).
Der Roboter lässt sich nicht aufladen.	Die Ladestation wird nicht mit Strom versorgt. Prüfen Sie, ob beide Enden des Netzkabels richtig eingesteckt sind. Schlechter Kontakt. Reinigen Sie die Ladekontakte der Ladestation und des Roboters.
Der Roboter kehrt nicht in die Ladestation zurück.	Es gibt zu viele Hindernisse in der Nähe der Ladestation. Stellen Sie die Ladestation in einem offeneren Bereich auf. Bitte reinigen Sie den Signalbereich der Ladestation.
Der Roboter funktioniert nicht richtig.	Schalten Sie den Roboter aus und reaktivieren Sie ihn wieder.
Der Roboter macht ein seltsames Geräusch.	Ein Fremdkörper könnte sich in der Hauptbürste, der Seitenbürste oder einem der Haupträder festgesetzt haben. Stoppen Sie den Roboter und entfernen Sie etwaige Rückstände.
Der Roboter reinigt nicht mehr effizient oder es bleibt Staub liegen.	Der Staubbehälter ist voll. Bitte reinigen Sie ihn. Der Filter ist verstopft. Bitte reinigen Sie ihn. Ein Fremdkörper hat sich in der Hauptbürste festgesetzt. Bitte reinigen Sie ihn.

Problem	Lösung
Der Roboter kann keine Verbindung zum WLAN herstellen.	Es liegt ein Problem mit der WLAN-Verbindung vor. Setzen Sie das WLAN zurück, laden Sie die neueste Version der Dreamehome App herunter und verbinden Sie sich erneut. Die Standortberechtigung ist nicht aktiviert. Bitte stellen Sie sicher, dass die Berechtigung für Standortermittlung bei der „Dreamehome“ App aktiviert ist. Das WLAN-Signal ist schwach. Stellen Sie sicher, dass sich der Roboter in einem Gebiet mit guter WLAN-Abdeckung befindet. 5GHz WLAN wird nicht unterstützt. Bitte vergewissern Sie sich, dass Ihr Roboter mit 2,4-GHz-WLAN verbunden ist. Der Benutzername oder Passwort für das WLAN ist falsch. Bitte geben Sie den richtigen Benutzernamen und das richtige Passwort ein.
Der Roboter führt keine planmäßige Reinigung durch.	Der Roboter hat einen niedrigen Akkustand. Die planmäßige Reinigung beginnt erst, wenn der Akkustand des Roboters mindestens 15 % beträgt.
Verbraucht der Roboter Strom, wenn er auf der Ladestation gelassen wird, nachdem er bereits vollständig aufgeladen wurde?	Wenn der Roboter auf der Ladestation gelassen wird, nachdem er vollständig aufgeladen wurde, verbraucht er nur sehr wenig Strom und dieses dient dazu, die optimale Akkuleistung zu erhalten.
Es kommt kein oder nur wenig Wasser aus dem Wassertank.	Prüfen Sie, ob noch Wasser im Wassertank ist. Reinigen Sie das Wischpad, wenn es verschmutzt ist. Vergewissern Sie sich, dass der Wischmopp korrekt und wie in der Bedienungsanleitung beschrieben installiert ist. Reinigen Sie die Belüftungsöffnung am Verschlussstopfen des Wasserbehälters.
Der Roboter setzt die Reinigung nach dem Aufladen nicht fort.	Vergewissern Sie sich, dass der Roboter nicht in den Nicht-Stören-Modus (DND) geschaltet ist, da er sonst die Reinigung nicht fortsetzen kann. Der Roboter setzt die Reinigung nicht fort, wenn er manuell aufgeladen oder auf die Ladestation gestellt wird.
Der Roboter kehrt nicht in die Ladestation zurück, nachdem er bewegt wurde.	Das Bewegen des Roboters kann zu einer neuen Positionierung des Roboters oder einer Neukartierung seiner Umgebung führen. Wenn der Roboter zu weit von der Ladestation entfernt ist, kann er möglicherweise nicht automatisch zurückkehren. In diesem Fall müssen Sie den Roboter manuell auf die Ladestation stellen.

Bei weiteren Fragen wenden Sie sich bitte an <https://global.dreametech.com>

Roboter

Modell	RLD34GA
Ladedauer	Ca. 6 Stunden
Nennspannung	14,4 V $\overline{=}$
Nennleistung	75 W
Betriebsfrequenz	2400 - 2483,5 MHz
Maximale Ausgangsleistung	< 20 dBm

Unter normalen Einsatzbedingungen muss dieses Gerät in einem Abstand von mindestens 20cm zwischen der Antenne und dem Körper des Benutzers gehalten werden.

Ladestation

Modell	RCS0
Nenneingang	100 - 240 V \sim 50/60 Hz 0,5 A
Nennausgang	19,8 V $\overline{=}$ 1 A

Entsorgung und Entnahme des Akkus

Der eingebaute Lithium-Ionen-Akku enthält umweltgefährdende Stoffe. Lassen Sie den Akku vor der Entsorgung von qualifiziertem Fachpersonal ausbauen und entsorgen Sie ihn in einer geeigneten Recyclingeinrichtung.

- Der Akku muss vor der Entsorgung aus dem Gerät entfernt werden;
- Das Gerät muss beim Entfernen des Akkus vom Stromnetz getrennt werden;
- Der Akku muss sicher entsorgt werden.

VORSICHT:

Vor dem Entfernen des Akkus ist das Gerät vom Stromnetz zu trennen und der Akku so tief wie möglich zu entladen.

Nicht mehr benötigte Akkus sind in einer geeigneten Recyclingeinrichtung zu entsorgen.

Setzen Sie den Akku nicht hohen Temperaturen aus, um Explosionsgefahr zu vermeiden.

Unter unsachgemäßen Bedingungen kann Flüssigkeit aus dem Akku austreten. Bei Kontakt mit der Flüssigkeit spülen Sie die betroffene Stelle mit Wasser und suchen Sie einen Arzt auf.

Anleitung zum Herausnehmen:

1. Drehen Sie den Roboter um, entfernen Sie mit einem geeigneten Werkzeug die Schrauben auf der Rückseite des Roboters und nehmen Sie dann die Abdeckung ab.
2. Lösen Sie die Klemmen zwischen dem Akku und der Leiterplatte, um den Akku zu entfernen.

WEEE-Informationen

Für alle mit diesem Symbol gekennzeichneten Produkte gelten die Regelungen der Richtlinie 2012/19/EU über Elektro- und Elektronik-Altgeräte (WEEE), die nicht in den unsortierten Hausmüll gelangen dürfen. Zum Schutz der menschlichen Gesundheit und der Umwelt sollten Sie daher Ihre Altgeräte bei einer von der Regierung oder den lokalen Behörden eingerichteten Sammelstelle für das Recycling von Elektro- und Elektronik-Altgeräten abgeben. Eine ordnungsgemäße Entsorgung und Wiederverwertung trägt dazu bei, mögliche negative Folgen für die Umwelt und die menschliche Gesundheit zu vermeiden. Bitte wenden Sie sich an den Installateur oder die lokalen Behörden, um weitere Informationen über den Standort sowie die Bedingungen und Voraussetzungen für solche Sammelstellen zu erhalten.

Entsorgung von Elektro- und Elektronikgeräten



Die durchgestrichene Mülltonne bedeutet, dass Sie gesetzlich verpflichtet sind, diese Geräte einer vom unsortierten Siedlungsabfall getrennten Sammelstelle zuzuführen. Die Entsorgung über die Restmülltonne oder die gelbe Tonne ist untersagt. Enthalten die Produkte Batterien oder Akkus, die nicht fest verbaut sind, müssen diese vor der Entsorgung entnommen und getrennt als Batterien entsorgt werden.

Möglichkeiten der Rückgabe von Altgeräten

Besitzer von Altgeräten können diese im Rahmen der durch öffentlich-rechtlichen Entsorgungsträger eingerichteten und zur Verfügung stehenden Möglichkeiten der Rückgabe oder Sammlung von Altgeräten abgeben, damit eine ordnungsgemäße Entsorgung der Altgeräte sichergestellt ist. Unter dem folgenden Link können Sie ein Onlineverzeichnis der Sammel- und Rücknahmestellen ansehen: <https://www.ear-system.de/ear-verzeichnis/sammel-und-ruecknahmestellen>

Datenschutz

Wir weisen alle Endnutzer von Elektro- und Elektronikgeräten darauf hin, dass Sie für das Löschen personenbezogener Daten auf den zu entsorgenden Altgeräten selbst verantwortlich sind.

Informations sur la sécurité

Pour éviter tout risque de choc électrique, d'incendie ou de blessure causé par une utilisation incorrecte de l'appareil, veuillez lire attentivement le manuel d'utilisation avant d'utiliser l'appareil et le conserver pour pouvoir vous y référer ultérieurement.

Restrictions d'utilisation

- Ce produit ne doit pas être utilisé par des enfants de moins de 8 ans ni par des personnes présentant un handicap moteur, sensoriel ou mental, ou ayant une expérience ou des connaissances limitées, sans la supervision d'un parent ou d'un tuteur afin de garantir un fonctionnement sûr et d'éviter tout risque. Le nettoyage et l'entretien ne doivent pas être effectués par des enfants sans surveillance.
- Les enfants ne doivent pas jouer avec ce produit. Pendant le nettoyage, assurez-vous que les enfants et les animaux de compagnie sont maintenus à une distance de sécurité du robot aspirateur.
- Si le cordon d'alimentation est endommagé ou rompu, cessez immédiatement de l'utiliser et contactez le service après-vente.
- Ce produit est uniquement destiné au nettoyage des sols dans un environnement domestique. Ne l'utilisez pas à l'extérieur, sur des surfaces autres que des sols ou dans un environnement commercial ou industriel.
- N'utilisez pas le robot dans une zone située au-dessus du niveau du sol sans barrière de protection.
- Ne placez pas le robot à l'envers. N'utilisez pas le couvercle du LDS, le couvercle du robot ou le pare-chocs comme poignée pour déplacer le robot.
- Utilisez le robot aspirateur dans des environnements où la température ambiante est supérieure à 0 °C et inférieure à 40 °C. Assurez-vous qu'il n'y a pas de liquide ou de substance collante sur le sol.
- Retirez tous les câbles au sol avant d'utiliser le robot pour éviter qu'il ne les entraîne dedans pendant le nettoyage.

Informations sur la sécurité

Restrictions d'utilisation

- Retirez tous les objets fragiles ou de petite taille au sol afin d'éviter que le robot ne les percute ou ne les endommage.
- Pour éviter d'endommager l'appareil ou de le traîner, débarrassez le sol de tout objet mobile et retirez les câbles ou les cordons d'alimentation qui se trouvent sur le trajet de nettoyage avant d'utiliser l'appareil.
- Maintenez vos cheveux, vos doigts et les autres parties de votre corps éloignés de l'orifice d'aspiration du robot.
- Conservez l'outil de nettoyage de brosse hors de la portée des enfants.
- Ne mettez pas d'enfants, d'animaux ou d'objets sur le robot, qu'il soit à l'arrêt ou en mouvement.
- N'utilisez pas le robot pour nettoyer des objets brûlants. N'utilisez pas le robot pour ramasser des liquides inflammables ou combustibles, des gaz corrosifs ou des acides ou solvants non dilués.
- N'aspirez pas d'objets durs ou tranchants. N'utilisez pas l'appareil pour ramasser des objets tels que des pierres, de gros morceaux de papier ou tout autre élément susceptible d'obstruer l'appareil.
- Assurez-vous que le robot est éteint et que le socle de charge est débranché avant d'effectuer le nettoyage ou l'entretien.
- N'utilisez pas de chiffon humide pour essuyer ou de liquide pour rincer le robot et le socle de charge. Les pièces lavables doivent être totalement séchées avant de les installer et de les utiliser.
- Dans la mesure du possible, assurez-vous que le robot est éteint lorsque vous le transportez et rangez-le dans son emballage d'origine.
- Veuillez utiliser ce produit conformément aux instructions du Mode d'emploi. Les utilisateurs sont responsables des pertes ou dommages résultant d'une mauvaise utilisation de ce produit.

Informations sur la sécurité

Batteries et charge

- N'utilisez pas de batterie, de cordon d'alimentation ou de station de recharge tiers. Veuillez n'utiliser que l'unité d'alimentation RCS0.
- N'essayez pas de démonter, réparer ou modifier vous-même la batterie ou la station de charge.
- Ne placez pas la station de charge près d'une source de chaleur.
- N'utilisez pas de chiffon humide, ni vos mains humides, pour essuyer ou nettoyer les contacts de charge de la station.
- Ne jetez pas vos batteries usagées de façon incorrecte. Les batteries inutilisées doivent être jetées aux centres de recyclage appropriés.
- Si vous ne prévoyez pas d'utiliser le robot pendant une période prolongée, chargez-le complètement, éteignez-le, puis entreposez-le dans un endroit frais et sec. Rechargez le robot au moins une fois tous les 3 mois pour éviter un déchargement excessif de la batterie.
- Ce produit contient des batteries qui ne peuvent être remplacées que par des techniciens qualifiés ou par le service après-vente.

Informations de sécurité sur le laser

- Le capteur laser de ce produit répond à la norme IEC 60825-1:2014/EN 60825-1:2014/A11:2021 des appareils à laser de classe 1. Veuillez éviter de regarder directement le laser pendant l'utilisation.

PRODUIT LASER DE CLASSE 1
 PRODUIT LASER GRAND PUBLIC
 EN 50689:2021

Informations sur la sécurité



Pour un usage en intérieur uniquement

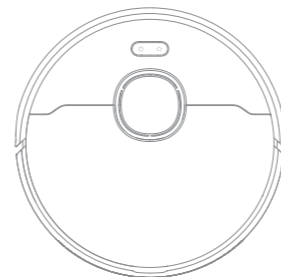


Lire le mode d'emploi

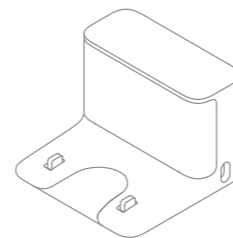
Par le présent document, Dreame Trading(Tianjin)Co., Ltd. déclare que le modèle d'équipement radio RLD34GA répond à la directive 2014/53/UE. L'intégralité du texte de la déclaration UE de conformité est disponible à l'adresse Internet suivante : <https://global.dreame.tech.com>
 Pour consulter le mode d'emploi en ligne, veuillez accéder à <https://global.dreame.tech.com/pages/user-manuals-and-faqs>

Présentation du produit

Contenu de l'emballage



Robot

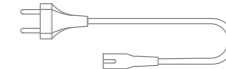


Station de recharge

Autres accessoires



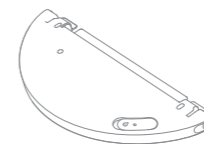
Brosse latérale



Cordon d'alimentation



Outil de nettoyage
(pré-installé)



Réservoir d'eau



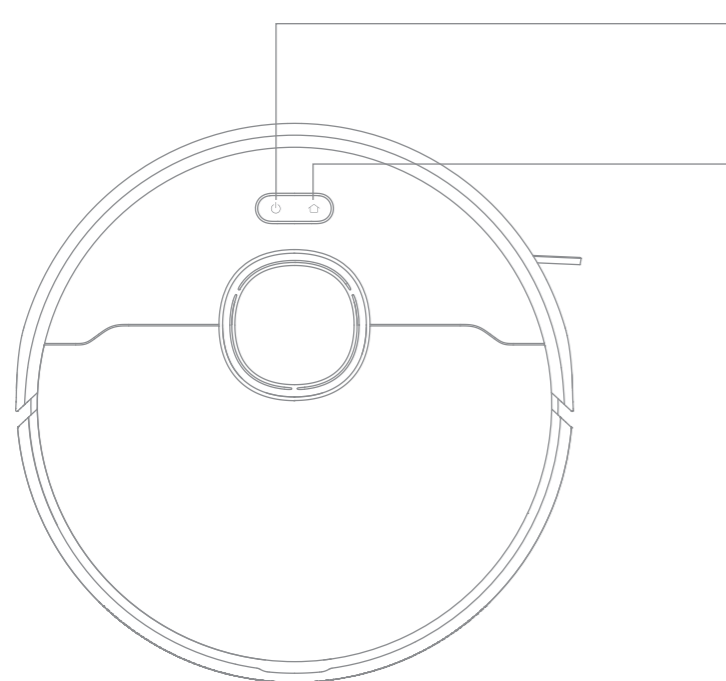
Serpillère
(pré-installé)



Mode d'emploi

Présentation du produit

Robot



- Bouton de mise sous tension/nettoyage**
 - Appuyez et maintenez enfoncé pendant 3 secondes pour allumer ou éteindre
 - Appuyez pour commencer le nettoyage une fois le robot allumé

- Bouton de nettoyage localisé/station d'accueil**
 - Appuyez brièvement pour renvoyer le robot à la station de recharge
 - Appuyez et maintenez enfoncé pendant 3 secondes pour démarrer le nettoyage localisé

Indicateur d'état

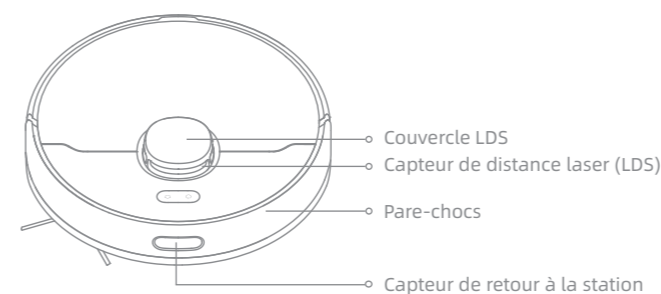
- Blanc fixe** : Nettoyage ou lavage terminé
- Orange clignotant** : Erreur
- Blanc clignotant** : Le robot se charge lorsque le niveau de batterie n'est pas bas

Remarque :

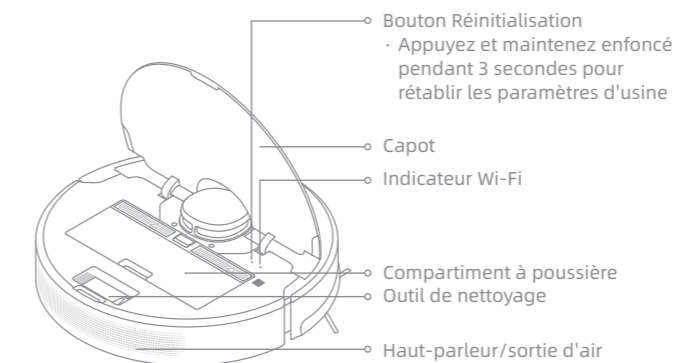
- Appuyez sur n'importe quel bouton du robot pour faire une pause pendant que le robot nettoie ou revient pour se charger.
- Le verrouillage enfants peut être activé et désactivé avec l'application Dreamehome.

Présentation du produit

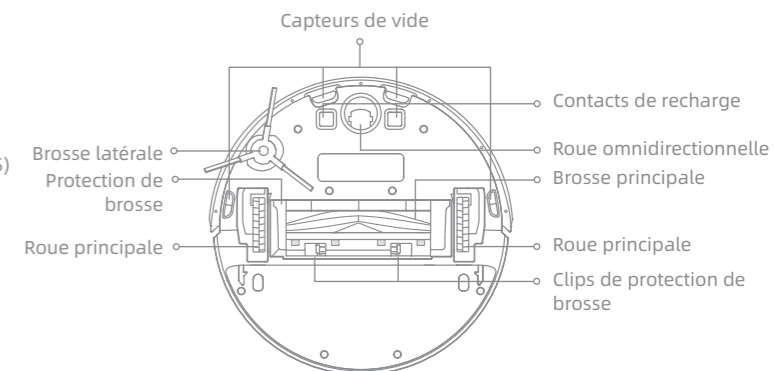
Robot et capteurs



- Couvercle LDS
- Capteur de distance laser (LDS)
- Pare-chocs
- Capteur de retour à la station

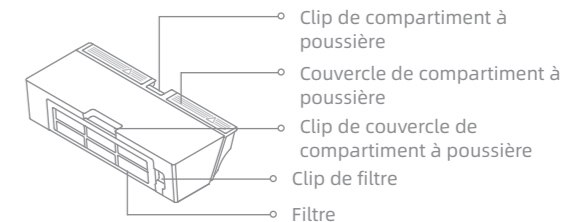


- Bouton Réinitialisation
 - Appuyez et maintenez enfoncé pendant 3 secondes pour rétablir les paramètres d'usine
- Capot
- Indicateur Wi-Fi
- Compartment à poussière
- Outil de nettoyage
- Haut-parleur/sortie d'air



- Capteurs de vide
- Contacts de recharge
- Roue omnidirectionnelle
- Brosse principale
- Brosse latérale
- Protection de brosse
- Roue principale
- Clips de protection de brosse

Compartment à poussière

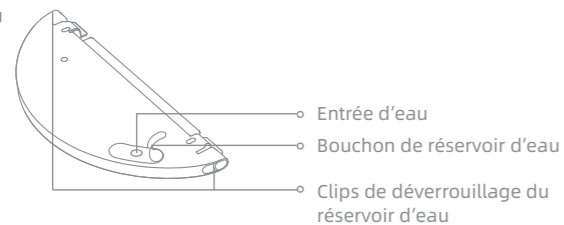


- Clip de compartiment à poussière
- Couvercle de compartiment à poussière
- Clip de couvercle de compartiment à poussière
- Clip de filtre
- Filtre

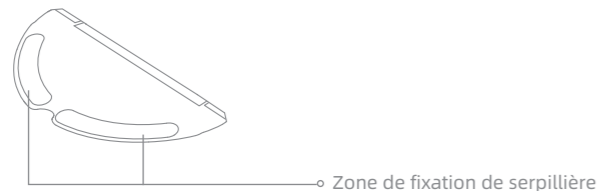
Présentation du produit

Module de lavage

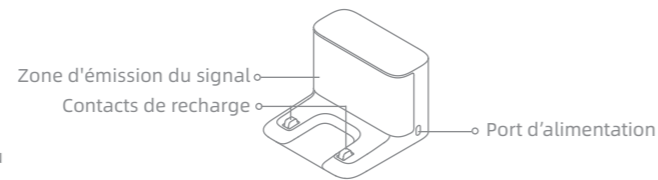
Réservoir d'eau



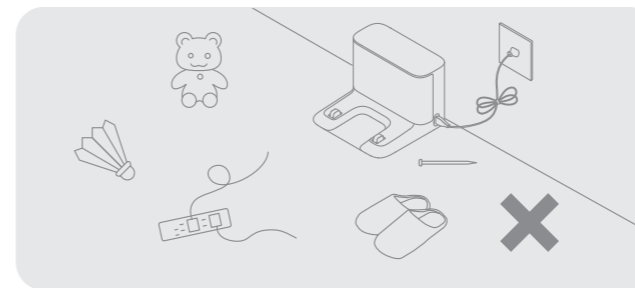
Serpillère



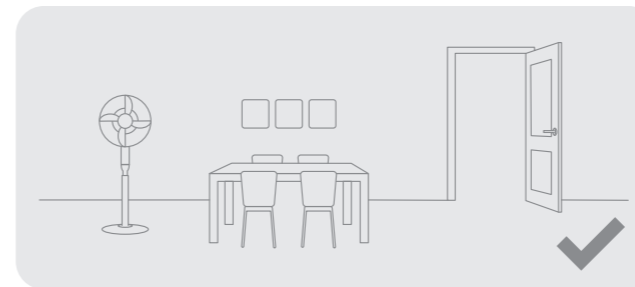
Station de recharge



Préparer votre intérieur



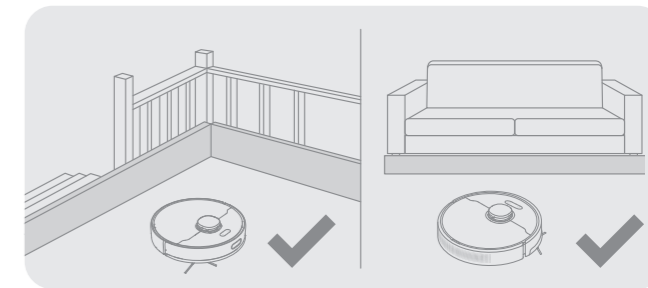
Avant de procéder au nettoyage, éloignez les objets instables, fragiles, précieux ou dangereux, et ramassez les câbles, les chiffons, les jouets, les objets durs et pointus qui se trouvent sur le sol, afin d'éviter que le robot ne les emmêle, ne les raye ou ne les renverse, ce qui entraînerait des pertes.



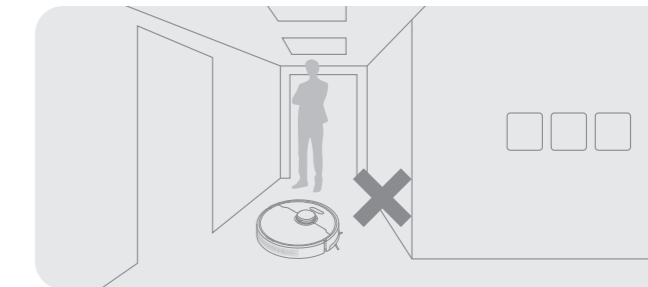
Ouvrez la porte de la pièce à nettoyer et disposez correctement les meubles pour libérer plus d'espace.

Remarque :

- À la première utilisation du robot, suivez-le pendant qu'il nettoie afin de retirer tout obstacle éventuel à temps.
- N'aspirez pas des objets durs tels que des cailloux, des boules en acier et des pièces de jouet, ou des objets tranchants tels que des déchets de construction, du verre brisé et des clous, sinon cela peut rayer le sol.



Avant le nettoyage, placez une barrière physique au bord de l'escalier et du canapé pour que le robot puisse fonctionner facilement et en toute sécurité.



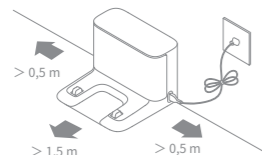
Pour éviter que le robot ne reconnaisse pas les zones à nettoyer, ne vous tenez pas devant le robot, ni dans un seuil, un couloir ou des endroits étroits.

Avant l'utilisation

1. Placez la station de recharge et branchez-la à une prise électrique

Placez la station de recharge sur un sol de niveau contre un mur. Insérez le cordon d'alimentation dans la station de recharge et branchez-le dans la prise.

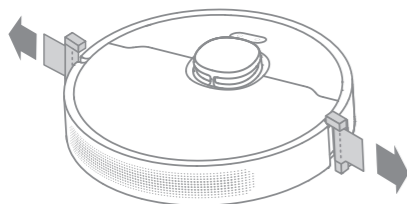
 Placez la station de recharge dans un endroit aussi dégagé que possible avec un bon signal Wi-Fi.



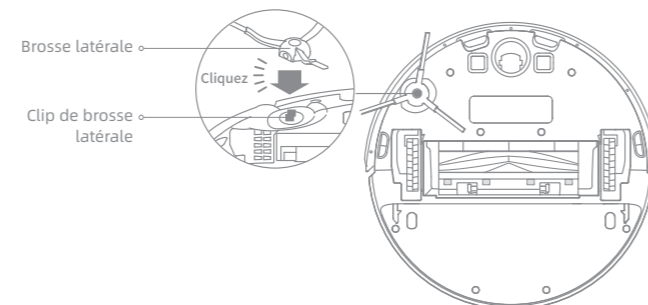
Remarque :

- Retirez tous les objets situés à moins de 1,5 m devant et 0,5 m de chaque côté de la station de recharge.
- Ne placez pas la station d'accueil dans un endroit exposé à la lumière directe du soleil ou dans un endroit où d'autres objets pourraient bloquer le signal, car cela peut empêcher le robot de retourner à la station d'accueil.

2. Retirez les protections



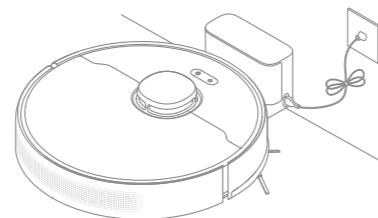
3. Installer la brosse latérale



Remarque : Installez la brosse latérale jusqu'à ce qu'elle s'enclenche.

4. Recharge du robot

Lorsque vous placez le robot, alignez les contacts de recharge au bas du robot avec les contacts de recharge de la station de recharge. Le robot s'activera automatiquement et commencera à se recharger.

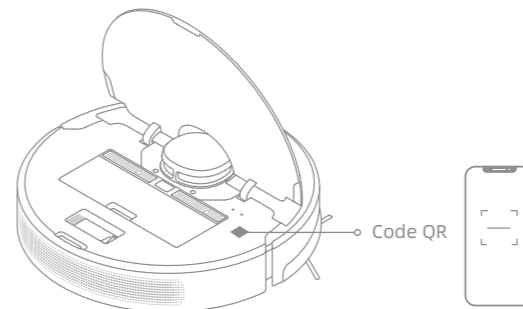


Remarque : Il est recommandé de recharger complètement le robot avant sa première utilisation.

Connexion à l'application Dreamehome

1. Télécharger l'application Dreamehome

Scannez le code QR sur le robot ou recherchez « Dreamehome » dans l'app store pour télécharger et installer l'application.

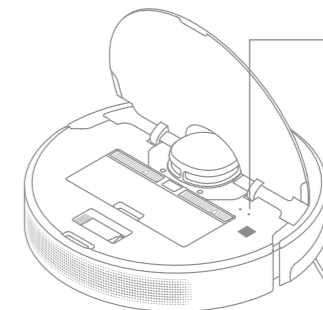


Remarque :

- Seul le réseau Wi-Fi 2,4 GHz est reconnu.
- Le logiciel d'application étant soumis à des mises à jour, les opérations réelles peuvent donc différer des instructions de ce manuel. Veuillez suivre les instructions selon la version actuelle de l'application.

2. Ajouter un appareil

Ouvrez l'application Dreamehome, appuyez sur « + » en haut à droite, et scannez le même code QR sur le robot encore une fois pour ajouter l'appareil. Suivez les messages d'instructions pour finaliser la connexion Wi-Fi.





Indicateur Wi-Fi

- Clignote lentement : Connexion nécessaire
- Clignote rapidement : Connexion en cours
- Activé : Connecté

Remarque : Si vous souhaitez réinitialiser le Wi-Fi, répétez l'étape 2, puis suivez les instructions pour terminer la connexion Wi-Fi.


Activer/Désactiver

Maintenez le bouton  enfoncé pendant 3 secondes pour allumer le robot. L'indicateur d'alimentation doit être allumé. Placez le robot sur la station de recharge, le robot doit s'activer automatiquement et commencer à se recharger. Pour éteindre le robot, retirez-le de la station et maintenez le bouton  enfoncé pendant 3 secondes.

Cartographie rapide

Après avoir configuré le réseau pour la première fois, suivez les instructions de l'application pour créer rapidement une carte. Le robot commencera à cartographier sans nettoyage. Lorsque le robot retourne à la station de recharge, le processus de cartographie est terminé et la carte sera automatiquement enregistrée.

Démarrer le nettoyage

Appuyez sur le bouton  pour commencer le nettoyage une fois le robot activé. Puis le robot réalisera une carte précise du chemin à parcourir, nettoiera méthodiquement le long des bords et des murs, et terminera par un nettoyage de chaque pièce selon un parcours en S pour un résultat parfait.

Remarque : Il est conseillé de sortir le robot de la station de recharge avant de commencer le nettoyage. Ne déplacez pas la station de recharge pendant que le robot effectue le nettoyage. Cela garantit que le robot retournera à la station de recharge avec succès.

Pause/Veille

Lorsque le robot fonctionne, appuyez sur n'importe quel bouton pour le mettre en pause.

Si le robot est mis en pause pendant plus de 10 minutes, il passe automatiquement en mode veille. Tous les indicateurs sur le robot s'éteindront. Appuyez sur n'importe quel bouton du robot, ou utilisez l'application pour réactiver le robot.

Remarque : Si le robot est en pause et placé sur la station de recharge, la tâche de nettoyage en cours s'arrêtera.

Reprise automatique du nettoyage

Si la batterie est trop faible, le robot retournera automatiquement à la station de recharge pour se recharger. Après avoir rechargé la batterie au niveau approprié, il reprendra les tâches de nettoyage inachevées.

Remarque : Pour utiliser cette fonction, veuillez l'ouvrir dans l'application.


Mode Ne pas déranger (DND)

Lorsque le robot est réglé sur le mode Ne pas déranger (DND), le robot ne pourra pas reprendre le nettoyage et l'indicateur d'alimentation s'éteindra. Le mode DND est désactivé par défaut à l'usine. Vous pouvez utiliser l'application pour activer le mode DND ou modifier la période DND. La période DND est de 22h00 à 8h00 par défaut.



Remarque :

- Les tâches de nettoyage planifiées seront effectuées comme d'habitude pendant la période DND.
- Le robot reprendra le nettoyage là où il s'est arrêté à la fin de la période DND.

Nettoyage de zone délimitée

Lorsque le robot est en veille, appuyez et maintenez le bouton  enfoncé pendant 3 secondes pour activer le mode de nettoyage localisé. Dans ce mode, le robot nettoie une surface carrée de 1,5 x 1,5 mètres autour de lui, et retourne à son point de départ à la fin du nettoyage localisé.

Redémarrage du robot

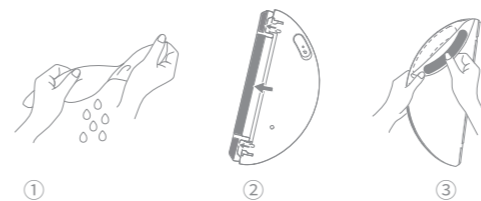
Si le robot ne répond plus ou ne peut pas s'éteindre, maintenez le bouton  enfoncé pendant 10 secondes pour l'arrêter de force. Puis maintenez le bouton  enfoncé pendant 3 secondes pour allumer le robot.

Conseils d'utilisation

Utiliser la fonction de lavage

Il est recommandé de passer l'aspirateur sur tous les planchers au moins trois fois avant la première séance de lavage pour obtenir un meilleur effet de nettoyage.

1. Humidifiez la serpillière et essorez-la bien. Installez la serpillière comme indiqué sur le schéma.




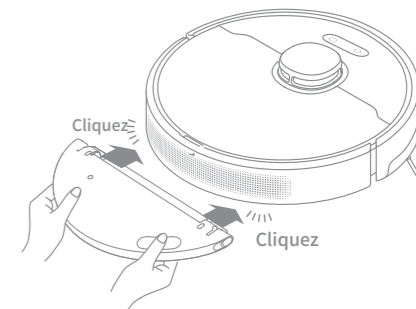
2. Remplissez le réservoir d'eau.



Remarque :

- N'utilisez pas de détergent ou de désinfectant.
- Ne remplissez pas le réservoir d'eau avec de l'eau chaude, car il risquerait de se déformer.

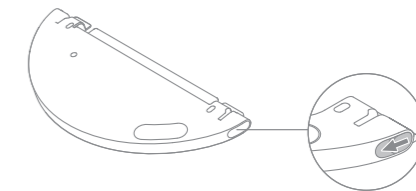
3. Aligned le module de lavage comme indiqué par la flèche, puis faites-le glisser à l'arrière du robot jusqu'à ce qu'il s'enclenche. Appuyez sur le bouton  ou utilisez l'application Dreamhome pour commencer le nettoyage.



Remarque :

- Il n'est pas recommandé d'utiliser la fonction de lavage sur les tapis.
- Utilisez l'application pour ajuster le débit d'eau au besoin.

4. Lorsque le robot a terminé une tâche de nettoyage et retourne à la station de recharge, retirez le module de lavage et lavez la lingette immédiatement. Pour retirer le réservoir d'eau, faites glisser les deux clips de déverrouillage sur le côté et sortez-le.



Remarque : Lorsque le robot se charge ou ne fonctionne pas, retirez le module de lavage, videz l'eau restante du réservoir et nettoyez la lingette pour éviter la formation de moisissures et d'odeurs.

Pièces

Pour maintenir le robot en bon état, il est recommandé de se référer à l'utilisation des accessoires dans l'application ou au tableau suivant pour l'entretien de routine.

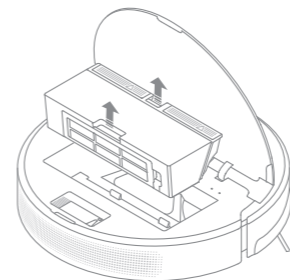
Pièce	Fréquence d'entretien	Période de remplacement
Serpillière	Après chaque utilisation	Tous les 3 à 6 mois
Brosse principale	Une fois toutes les 2 semaines	Tous les 6 à 12 mois
Filtre du compartiment à poussière		Tous les 3 à 6 mois
Brosse latérale	Une fois par mois	/
Zone de signalisation de la station de recharge		
Contacts de recharge de la station de recharge		
Roue omnidirectionnelle		
Capteur de distance laser (LDS)		
Contacts de charge du robot		

Pièce	Fréquence d'entretien	Période de remplacement
Pare-chocs	Une fois par mois	/
Dessous du robot		
Capteurs de vide		
Capteur de retour à la station	Nettoyez au besoin	/
Réservoir d'eau		
Compartiment à poussière		

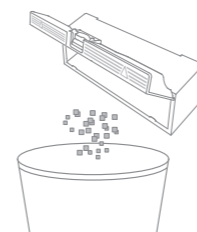
Remarque : La fréquence de remplacement dépendra de l'utilisation du robot. Si une exception se produit en raison de circonstances particulières, les pièces doivent être remplacées.

Compartiment à poussière

1. Ouvrez le couvercle du robot et appuyez sur le clip pour retirer le bac à poussière.

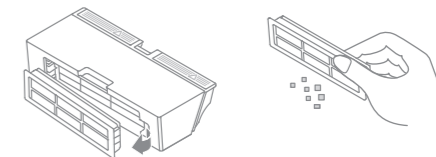


2. Ouvrez le couvercle du compartiment à poussière et videz le compartiment à poussière comme indiqué sur le schéma.



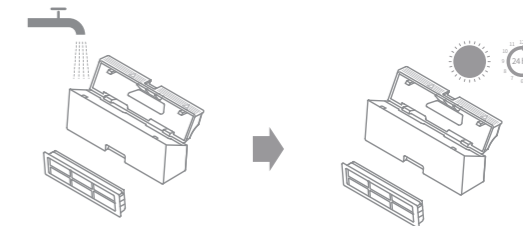
Filtre

1. Retirez le filtre et tapotez doucement sur son panier.



Remarque : N'essayez pas de nettoyer le filtre avec une brosse, les doigts ou des objets pointus pour éviter de l'endommager.

2. Rincez le compartiment à poussière et le filtre à l'eau claire et séchez-les complètement avant de les réinstaller.



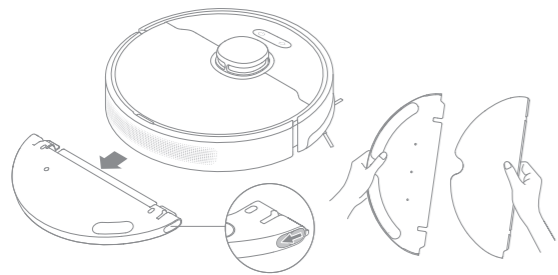
Remarque :

- Rincez le compartiment à poussière et le filtre uniquement à l'eau claire. N'utilisez aucun détergent.
- Utilisez le compartiment à poussière et le filtre uniquement lorsqu'ils sont complètement secs.

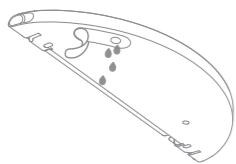
Entretien de routine

Module de lavage

1. Faites glisser les deux clips de déverrouillage sur le côté du réservoir d'eau, retirez le module de lavage et sortez la lingette du module de lavage.

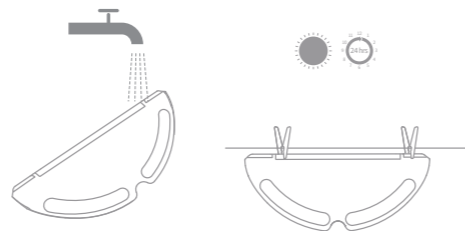


2. Versez l'eau dans le réservoir. Nettoyez le réservoir uniquement à l'eau et laissez-le sécher à l'air libre avant de le réinstaller.



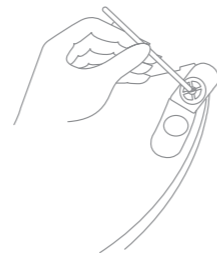
Remarque : N'exposez pas le réservoir d'eau à la lumière directe du soleil.

3. Nettoyez la lingette uniquement à l'eau et laissez-la sécher à l'air libre avant de la réinstaller.



Remarque : Retirez la lingette du module de lavage avant de la nettoyer, et assurez-vous que l'eau sale ne retourne pas dans la sortie d'eau pour éviter tout risque d'obstruction.

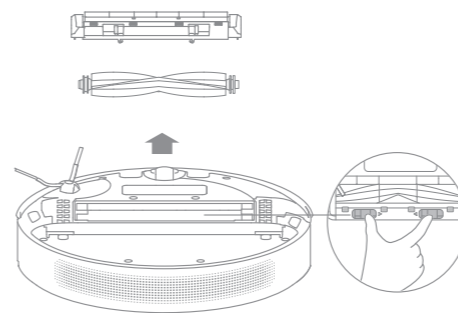
4. Si l'écoulement d'eau est lent ou si l'eau n'est pas bien répartie, nettoyez le trou d'air dans le couvercle du réservoir d'eau.



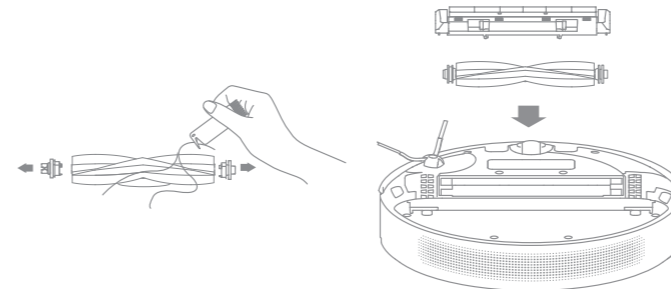
Entretien de routine

Brosse principale

1. Appuyez sur les clips de protection de la brosse pour retirer la protection de la brosse et soulevez la brosse hors du robot.

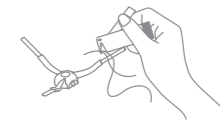


2. Retirez les couvercles de brosse aux deux extrémités de la brosse comme indiqué sur la figure. Utilisez l'outil de nettoyage fourni pour enlever les poils emmêlés dans la brosse. Réinstallez les couvercles de brosse aux deux extrémités de la brosse, puis réinstallez la brosse. Poussez sur la plaque de protection de la brosse pour la verrouiller en place.

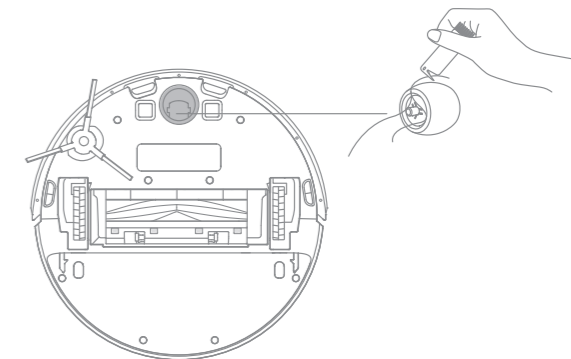


Brosse latérale

Retirez et nettoyez la brosse latérale.



Roue omnidirectionnelle

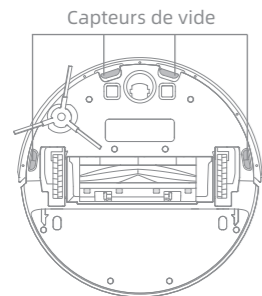
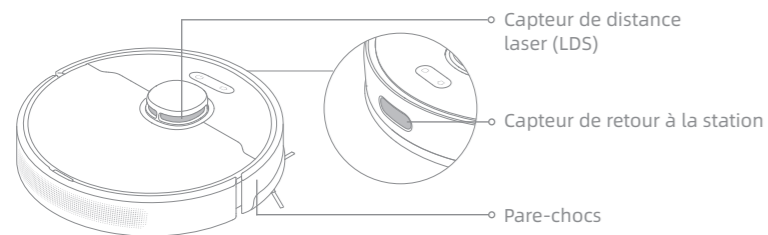


Remarque :

- Utilisez un outil tel qu'un petit tournevis pour séparer l'essieu et le pneu de la roue omnidirectionnelle. N'utilisez pas une force excessive.
- Rincez la roue omnidirectionnelle sous l'eau courante et remettez-la après l'avoir complètement séchée.

Capteurs de robot

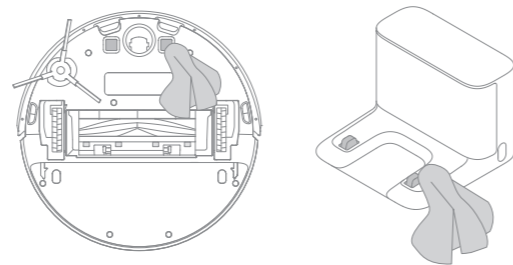
Essuyez les capteurs de robot à l'aide d'un chiffon doux et sec, comme illustré dans la figure ci-dessous :



Remarque : Un chiffon humide peut endommager les éléments sensibles à l'intérieur du robot et de la station de recharge. Veuillez utiliser un chiffon sec pour le nettoyage.

Contacts de charge et zone de signalisation

Nettoyez les contacts de charge et la zone d'émission du signal avec un chiffon doux et sec.



Batterie

Le robot contient une batterie lithium-ion haute performance. Assurez-vous que la batterie reste bien chargée pour une utilisation quotidienne afin de maintenir les performances optimales de la batterie. Si le robot n'est pas utilisé pendant une longue période, éteignez-le et rangez-le. Pour éviter tout risque de dommages lié à une décharge excessive, rechargez le robot au moins une fois tous les trois mois.

Dépannage

Problème	Solution
Le robot ne s'active pas.	La batterie est faible. Rechargez le robot sur la station de recharge, puis réessayez. La température de la pile est trop basse ou trop élevée. Il est recommandé d'utiliser l'appareil à une température comprise entre 0° C (32 °F) et 40° C (104 °F).
Le robot ne se recharge pas.	La station de recharge ne reçoit pas d'alimentation. Vérifiez que les deux extrémités du cordon d'alimentation sont correctement branchées. Mauvais contact. Nettoyez les contacts de recharge de la station de recharge et du robot.
Le robot ne retourne pas à la station de recharge.	Il y a trop d'obstacles autour de la station de recharge. Placez la station de recharge dans un endroit plus ouvert. Nettoyez la zone de signalisation de la station.
Le robot fonctionne mal.	Éteignez le robot, puis réactivez-le.
Le robot fait un bruit étrange.	Un corps étranger est peut-être coincé dans la brosse principale, la brosse latérale ou l'une des roues principales. Arrêtez le robot et retirez tous les débris.
Le robot ne nettoie plus efficacement ou laisse de la poussière derrière lui.	Le compartiment à poussière est plein. Nettoyez-le. Le filtre est bloqué. Nettoyez-le. Un objet étranger est coincé dans la brosse principale. Nettoyez-le.

Problème	Solution
Le robot ne peut pas se connecter au réseau Wi-Fi.	La connexion Wi-Fi fonctionne mal. Réinitialisez le Wi-Fi et téléchargez la dernière version de l'application Dreamehome, puis essayez de le reconnecter. L'autorisation de localisation n'est pas ouverte. Vérifiez que l'autorisation de localisation sur l'application Dreamehome est activée. Le signal Wi-Fi est faible. Assurez-vous que le robot se trouve dans une zone avec une bonne couverture Wi-Fi. Le Wi-Fi 5 GHz n'est pas pris en charge. Vérifiez que votre robot se connecte au Wi-Fi 2,4 GHz. Le nom d'utilisateur ou le mot de passe du Wi-Fi est incorrect. Veuillez saisir le nom d'utilisateur et le mot de passe corrects.
Le robot n'effectue pas le nettoyage programmé.	La batterie du robot est déchargée Le nettoyage programmé ne démarrera pas à moins que le robot ne dispose d'au moins 15 % de charge de batterie.
Le robot consomme-t-il de l'énergie s'il reste sur la station de recharge et s'il est déjà complètement rechargé ?	Laissez le robot sur la station de recharge une fois qu'il est complètement rechargé consomme très peu d'électricité et permet de maintenir les performances optimales de la batterie.
Aucune eau ne sort du réservoir d'eau, ou seulement un peu.	Vérifiez s'il y a de l'eau à l'intérieur du réservoir d'eau. Nettoyez la lingette si elle est sale. Assurez-vous que la serpillière est correctement installée conformément au mode d'emploi. Nettoyez le trou d'air sur le bouchon de réservoir d'eau.
Le robot ne reprend pas le nettoyage après la recharge.	Vérifiez que le robot n'est pas réglé sur le mode Ne pas déranger (DND), ce qui l'empêche de reprendre le nettoyage. Le robot ne reprend pas le nettoyage lorsqu'il est rechargé manuellement ou placé sur la station de recharge.
Le robot ne retourne pas à la station de recharge après avoir été déplacé.	Déplacer le robot peut l'amener à se repositionner ou à recartographier son environnement. Si le robot est trop éloigné de la station de recharge, il se peut qu'il ne puisse pas revenir automatiquement tout seul, auquel cas vous devez placer manuellement le robot sur la station de recharge.

Pour plus d'assistance, contactez-nous via <https://global.dreameotech.com>

Caractéristiques techniques

Robot

Modèle	RLD34GA
Temps de charge	Environ 6 heures
Tension nominale	14,4 V \approx
Puissance nominale	75 W
Fréquence de fonctionnement	2400 - 2483,5 MHz
Puissance de sortie maximale	< 20 dBm

Dans des conditions normales d'utilisation, cet équipement doit être maintenu à une distance de séparation d'au moins 20 cm entre l'antenne et le corps de l'utilisateur.

Station de recharge

Modèle	RCS0
Puissance nominale	100 - 240 V \sim 50/60 Hz 0,5 A
Sortie nominale	19,8 V \approx 1 A



FR
Cet appareil,
ses accessoires,
piles et cordons
se recyclent

À DÉPOSER
EN MAGASIN

À DÉPOSER
EN DÉCHÈTERIE

Points de collecte sur www.quefairedemesdechets.fr
Privilégiez la réparation ou le don de votre appareil !

Retrait et élimination de la batterie

La batterie lithium-ion intégrée contient des substances dangereuses pour l'environnement. Avant d'éliminer la batterie, assurez-vous qu'elle est enlevée par un technicien qualifié et déposée dans un centre de collecte approprié.

- la batterie doit être retirée de l'appareil avant qu'il ne soit mis au rebut ;
- l'appareil doit être débranché de la prise secteur pour le retrait de la batterie ;
- la batterie doit être éliminée de manière sûre.

PRUDENCE :

Avant d'enlever la batterie, débranchez l'alimentation et déchargez au maximum la batterie.

Les batteries usagées doivent être déposées dans un centre de collecte approprié.

N'exposez pas la batterie dans un environnement à haute température pour éviter les risques d'explosion.

En cas d'usage abusif, du liquide peut s'échapper de la batterie. En cas de contact, rincez à l'eau et consultez un médecin.

Guide pour le retrait :

1. Retournez le robot, utilisez l'outil adapté pour retirer les vis à l'arrière du robot, puis enlevez le couvercle.
2. Débranchez les bornes entre la batterie et la carte de circuit imprimé pour retirer la batterie.

Informations concernant les DEEE



Tous les produits portant ce symbole sont des déchets d'équipements électriques et électroniques (DEEE d'après la directive 2012/19/UE) qui ne doivent pas être mélangés avec les ordures ménagères non triées. Vous devez protéger la santé humaine et l'environnement en déposant votre équipement usagé dans un point de collecte prévu à cet effet pour le recyclage des déchets d'équipements électriques et électroniques, désigné par le gouvernement et les autorités locales. Des procédures d'élimination et de recyclage adéquates permettent d'éviter les effets nocifs sur l'environnement et la santé humaine. Veuillez contacter l'installateur ou les autorités locales pour plus d'informations sur le site, ainsi que les modalités et conditions des points de collecte de ce type.

Informazioni sulla sicurezza

Per evitare scosse elettriche, incendi o lesioni causate da un uso improprio dell'apparecchio, per favore leggi attentamente il manuale utente prima di usare l'apparecchio e conservalo per riferimento futuro.

Restrizioni per l'utilizzo

- Questo prodotto non deve essere utilizzato da bambini di età inferiore a 8 anni, né da persone con deficit fisici, sensoriali, cognitivi, esperienza o conoscenza limitata, senza la supervisione di un genitore o tutore, al fine di garantire la sicurezza del funzionamento ed evitare eventuali rischi. La pulizia e la manutenzione non devono essere eseguite da bambini senza supervisione.
- Non consentire ai bambini di giocare con questo prodotto. Assicurarsi che bambini e animali domestici siano a distanza di sicurezza dal robot mentre è in funzione.
- Questo prodotto deve essere usato solo per pulire i pavimenti di casa. Non va usato all'esterno, su superfici diverse dai pavimenti o in ambito commerciale o industriale.
- Se il cavo di alimentazione viene danneggiato o è spezzato, interrompere immediatamente l'utilizzo e contattare il servizio di assistenza post-vendita.
- Non utilizzare il robot in un ambiente sospeso sopra il livello del suolo senza una barriera protettiva.
- Non posizionare il robot capovolto. Non usare la copertura LDS, la copertura del robot o il paraurti come maniglia per il robot.
- Utilizzare l'aspirapolvere robot in ambienti con una temperatura ambiente superiore a 0 °C e inferiore a 40 °C. Assicurarsi che non ci siano liquidi o sostanze appiccicose sul pavimento.
- Togliere da terra eventuali cavi prima di utilizzare il robot, per evitare che vengano tirati durante la pulizia.
- Spostare dal pavimento gli oggetti fragili o piccoli per evitare che il robot li urti e li danneggi.

Informazioni sulla sicurezza

Restrizioni per l'utilizzo

- Per evitare danni o danni causati dal trascinarsi, elimina eventuali oggetti sciolti dal pavimento e rimuovi cavi o cavi di alimentazione sul percorso di pulizia prima di usare l'apparecchio.
- Tenere lontani capelli, dita e altre parti del corpo dalla boccola di aspirazione del robot.
- Tenere lo strumento per la pulizia della spazzola lontano dalla portata dei bambini.
- Non posizionare bambini, animali domestici o nessun altro oggetto sul robot, sia quando è fermo sia quando è in movimento.
- Non usare il robot per pulire eventuali sostanze infiammabili. Non usare il robot per raccogliere liquidi infiammabili o combustibili, gas corrosivi o acidi o solventi non diluiti.
- Non usare l'aspirapolvere su oggetti duri e taglienti. Non usare l'apparecchio per raccogliere oggetti come sassi, pezzi di carta grandi o qualsiasi altro oggetto che possa ostruire l'apparecchio.
- Accertarsi che il robot sia spento e che la base di ricarica sia scollegata prima di pulire o effettuare operazioni di manutenzione.
- Non usare un panno umido per pulire o alcun liquido per risciacquare il robot e la stazione di ricarica. Le parti lavabili devono essere completamente asciugate prima di installarle e usarle.
- Accertarsi che l'robot sia spento durante il trasporto e conservarlo nella sua confezione originale, se possibile.
- Utilizzare il prodotto seguendo le istruzioni fornite nel manuale utente. Gli utenti sono responsabili di eventuali perdite o danni derivanti dall'uso improprio dell'apparecchio.

Informazioni sulla sicurezza

Batterie e Ricarica

- Non utilizzare batterie, alimentatori o stazioni di ricarica non originali. Utilizzare soltanto con l'unità di alimentazione RCS0.
- Non tentare di smontare, riparare o modificare la batteria o la base di ricarica da soli.
- Non posizionare la base di ricarica vicino a fonti di calore.
- Non usare panni umidi o mani bagnate per strofinare o pulire i contatti della base di ricarica.
- Non smaltire in modo improprio le batterie usate. Smaltire le batterie non più necessarie in appositi impianti di riciclaggio.
- Se l'robot non viene utilizzato per diverso tempo, ricaricarlo completamente, quindi spegnerlo e conservarlo in un posto fresco e asciutto. Ricaricare l'robot almeno una volta ogni 3 mesi per evitare uno scaricamento eccessivo della batteria.
- Questo prodotto contiene batterie che possono essere sostituite soltanto da tecnici qualificati o dal servizio di assistenza post-vendita.

Informazioni sulla sicurezza del laser

- Il sensore laser di questo prodotto è conforme alla norma IEC 60825-1:2014/EN 60825-1:2014/A11:2021 per i prodotti laser di Classe 1. Evitare il contatto diretto con gli occhi durante l'uso.
PRODOTTO LASER DI CLASSE 1
PRODOTTO LASER DI CONSUMO
EN 50689:2021



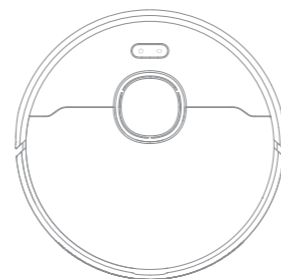
Solo per uso interno



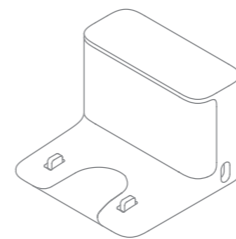
Leggere il manuale dell'operatore

Con la presente, Dreame Trading(Tianjin)Co., Ltd. dichiara che l'apparecchiatura radio di tipo RLD34GA è conforme alla Direttiva 2014/53/UE. Il testo completo della dichiarazione di conformità dell'UE è disponibile al seguente indirizzo internet: <https://global.dreameotech.com>
Per un manuale elettronico dettagliato, visitare il sito <https://global.dreameotech.com/pages/user-manuals-and-faqs>

Contenuto della confezione



Robot

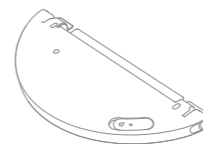


Stazione di ricarica

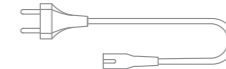
Altri accessori



Spazzola laterale



Serbatoio dell'acqua



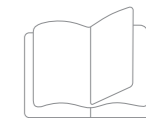
Cavo di alimentazione



Tampone del mocio
(preinstallato)

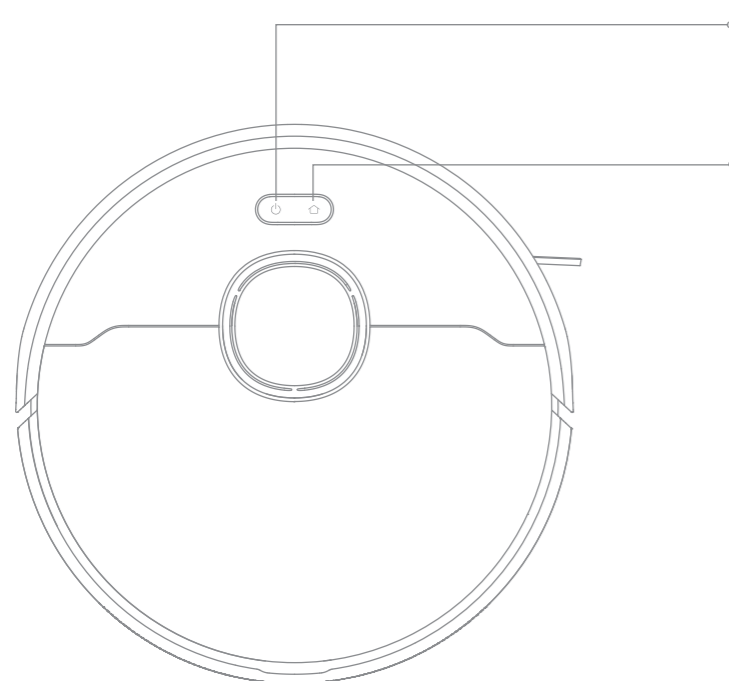


Strumento di pulizia
(preinstallato)



Manuale d'uso

Robot



- Pulsante di accensione / pulizia**
 - Tenere premuto per 3 secondi per accendere o spegnere il dispositivo
 - Premere per avviare la pulizia dopo l'accensione del robot.

- Pulsante per la pulizia localizzata / stazione**
 - Premere per rimandare il robot alla stazione di ricarica
 - Tenere premuto per 3 secondi per avviare la pulizia localizzata

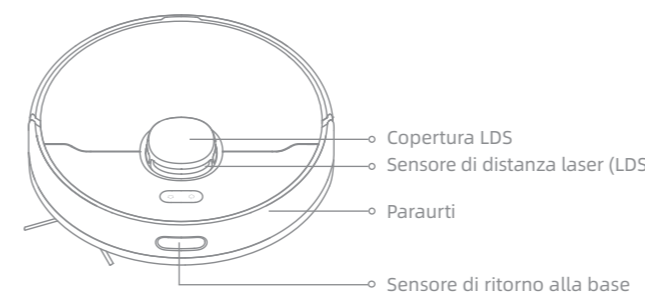
Indicatore di stato

- **Bianco fisso:** La pulizia è stata completata
- **Arancione lampeggiante:** Errore
- **Bianco intermittente:** Il robot si sta caricando quando l'energia della batteria non è bassa

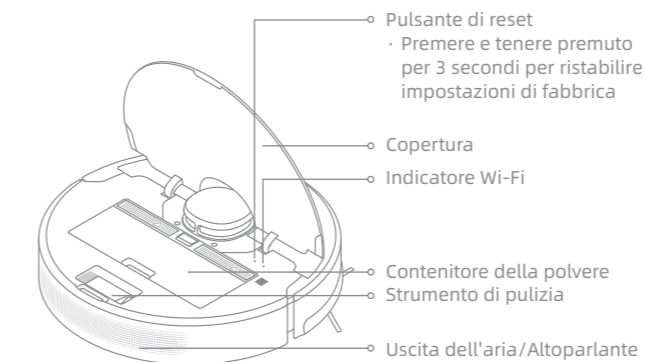
Nota:

- Premere un pulsante qualsiasi del robot per mettere in pausa il robot durante la pulizia o la ricarica.
- Il blocco bambini può essere attivato/disattivato tramite l'app Dreamehome.

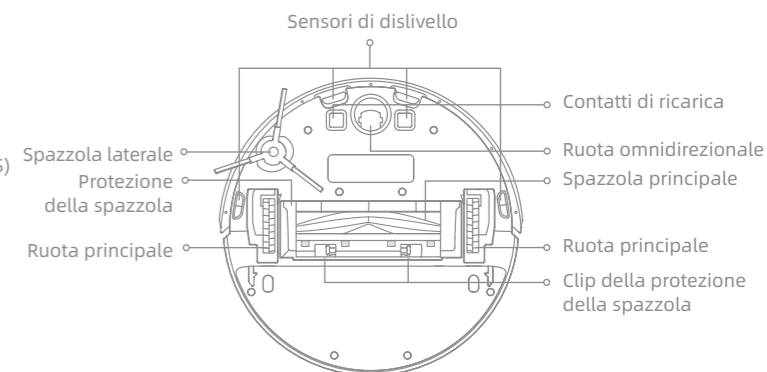
Robot e sensori



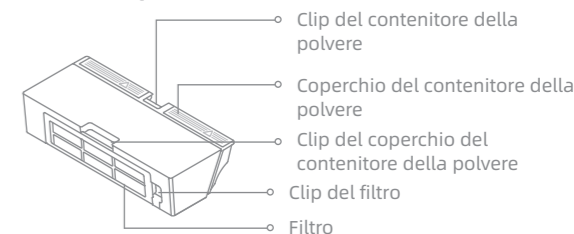
- Copertura LDS
- Sensore di distanza laser (LDS)
- Paraurti
- Sensore di ritorno alla base



- Pulsante di reset
 - Premere e tenere premuto per 3 secondi per ristabilire le impostazioni di fabbrica
- Copertura
- Indicatore Wi-Fi
- Contenitore della polvere
- Strumento di pulizia
- Uscita dell'aria/Altoparlante



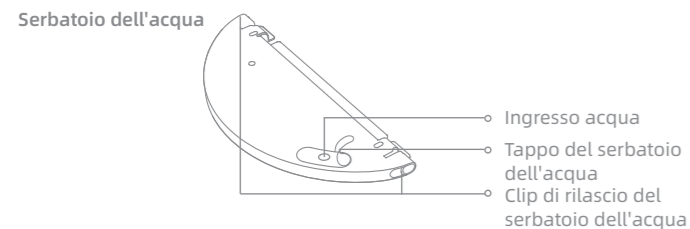
- Sensori di dislivello
- Contatti di ricarica
- Spazzola laterale
- Protezione della spazzola
- Ruota omnidirezionale
- Spazzola principale
- Ruota principale
- Clip della protezione della spazzola

Contenitore della polvere

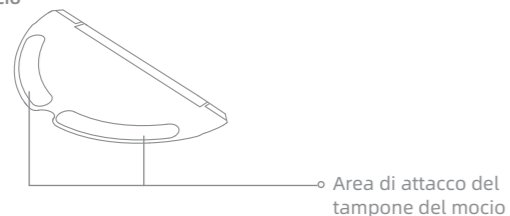
- Clip del contenitore della polvere
- Coperchio del contenitore della polvere
- Clip del coperchio del contenitore della polvere
- Clip del filtro
- Filtro

Panoramica del prodotto

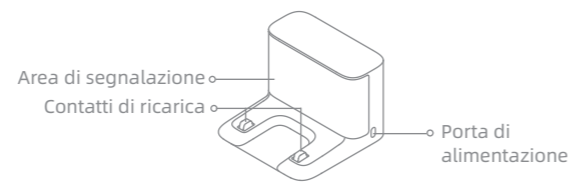
Modulo mocio



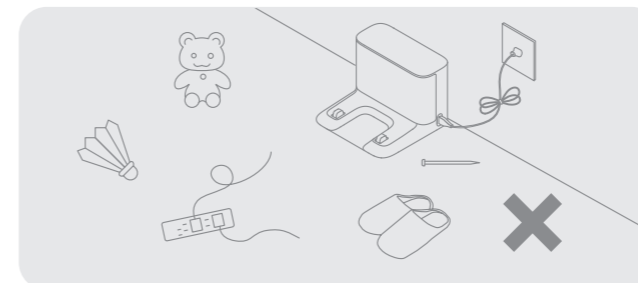
Tampone del mocio



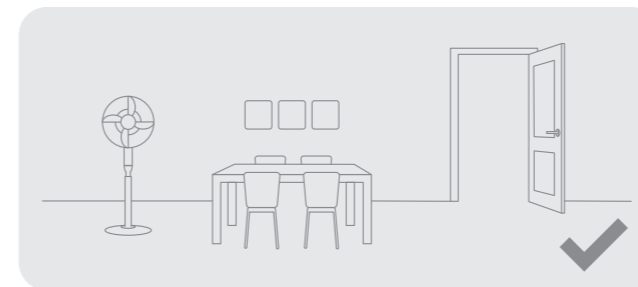
Stazione di ricarica



Preparare la casa



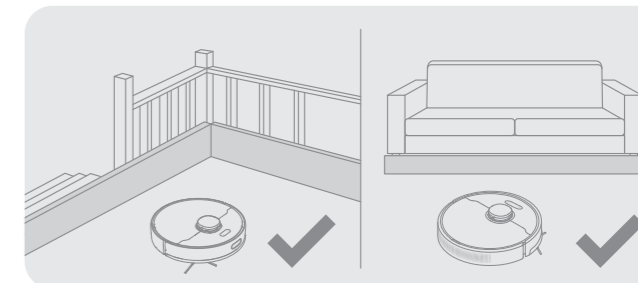
Prima di procedere alla pulizia, allontanare gli oggetti instabili, fragili, di valore o pericolosi e togliere i cavi, i panni, i giocattoli, gli oggetti duri e gli oggetti appuntiti che si trovano a terra, per evitare che il robot possa impigliarsi, graffiarsi o rovesciarsi e causare danni.



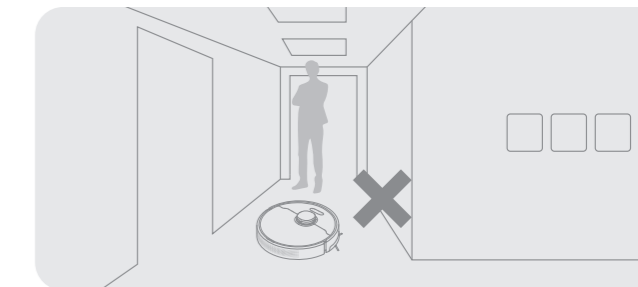
Aprire la porta della stanza da pulire e sistemare i mobili al loro posto per lasciare più spazio.

Nota:

- Quando si utilizza il robot per la prima volta, seguirlo durante la pulizia per eliminare in tempo eventuali ostacoli.
- Non aspirare oggetti duri come pietre, sfere d'acciaio e parti di giocattoli, né oggetti appuntiti come rifiuti edili, vetri rotti e chiodi, per evitare di graffiare il pavimento.



Prima della pulizia, posizionare una barriera fisica sul bordo delle scale e del divano per garantire il funzionamento sicuro e senza intoppi del robot.



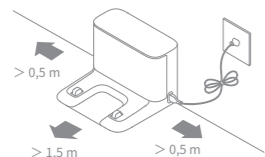
Per evitare che il robot non riconosca le aree da pulire, non sostare davanti al robot, sulle soglie, nei corridoi o negli spazi stretti.

Prima dell'uso

1. Posizionare la stazione di ricarica e collegarla a una presa elettrica

Posizionare la base di ricarica in piano contro la parete. Inserire il cavo di alimentazione nella stazione di ricarica e collegarlo alla presa.

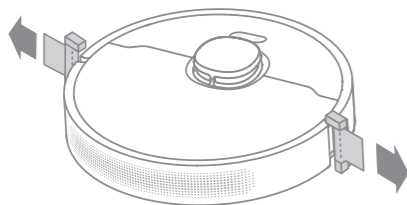
- Collocare la stazione di ricarica in una posizione il più possibile aperta e con un buon segnale Wi-Fi.



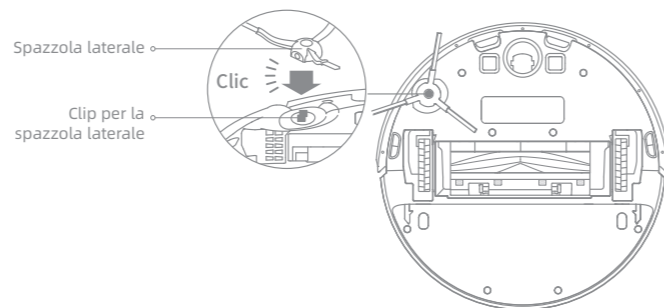
Nota:

- Rimuovere tutti gli oggetti più vicini di 1,5 m dalla parte anteriore e di 0,5 m da entrambi i lati della stazione di ricarica.
- Non collocare la base di ricarica in un'area illuminata dalla luce solare diretta o dove altri oggetti potrebbero bloccare il segnale, in quanto ciò potrebbe impedire al robot di tornare alla base.

2. Rimuovere le protezioni



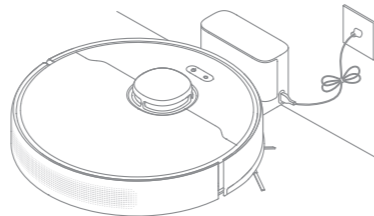
3. Installare la spazzola laterale



Nota: Installare la spazzola laterale finché non scatta in posizione.

4. Caricare il Robot

Quando si posiziona il robot, allineare i contatti di ricarica sul fondo del robot con i contatti di ricarica della stazione; il robot si accenderà automaticamente e inizierà la ricarica.

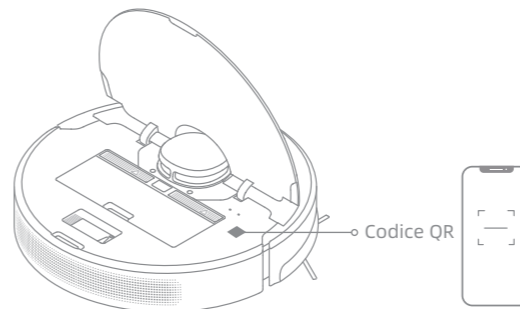


Nota: Si raccomanda di caricare completamente il robot prima del suo primo utilizzo.

Collegamento con l'App Dreamehome

1. Scaricare l'App Dreamehome

Effettuare la scansione del codice QR, oppure cercare "Dreamehome" nell'App Store per scaricare e installare l'app.

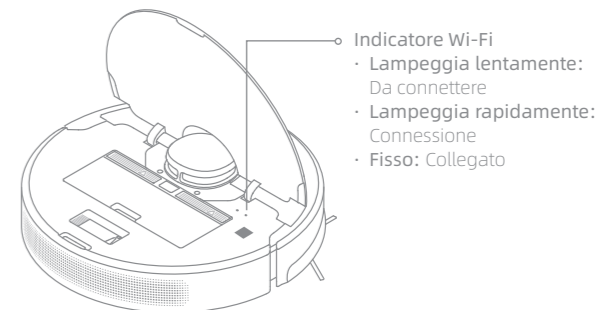


Nota:

- È supportato solo il Wi-Fi a 2,4 GHz.
- A causa degli aggiornamenti del software dell'app, le operazioni effettive potrebbero differire dalle indicazioni contenute nel presente manuale. Seguire le istruzioni in base alla versione attuale dell'App.



2. Aggiungere il dispositivo

Aprire l'app Dreamehome, toccare "+" nell'angolo in alto a destra e scansionare nuovamente lo stesso codice QR sul robot per aggiungere il dispositivo. Seguire le istruzioni per completare la connessione Wi-Fi.



Nota: Se si desidera ripristinare il Wi-Fi, ripetere il passaggio 2 e seguire le istruzioni per completare la connessione Wi-Fi.


Accensione/spengimento

Premere e tenere premuto il pulsante  per 3 secondi per accendere il robot. L'indicatore di alimentazione dovrebbe essere acceso. Collocare il robot sulla stazione di ricarica, il robot si accenderà automaticamente e inizierà a caricarsi. Per spegnere il robot allontanarlo dalla stazione, e tenere premuto il pulsante  per 3 secondi.

Mappatura veloce

Dopo aver configurato la rete per la prima volta, seguire le istruzioni dell'App per creare rapidamente una mappa. Il robot inizierà a tracciare una mappa senza pulire. Quando il robot torna alla stazione di ricarica, il processo di mappatura è stato completato e la mappa viene salvata automaticamente.

Avvio della pulizia

Premere brevemente il pulsante  per avviare la pulizia dopo l'accensione del robot. Quindi il robot tratterà con precisione un percorso, pulirà metodicamente lungo i bordi e le pareti, poi terminerà la pulizia di ogni stanza secondo uno schema a S per garantire un lavoro completo.

Nota: Si raccomanda di far partire il robot dalla stazione di ricarica prima di iniziare la pulizia. Non spostare la stazione di ricarica durante la pulizia del robot. In questo modo si garantisce che il robot ritorni alla stazione di ricarica senza problemi.

Pausa/Riposo

Quando il robot è in funzione, premere un pulsante qualsiasi per metterlo in pausa.

Se il robot rimane in pausa per più di 10 minuti, entra automaticamente in modalità di riposo. Tutti gli indicatori del robot si spengono. Premere un pulsante qualsiasi del robot o utilizzare l'app per attivarlo.

Nota: Se il robot viene messo in pausa e posizionato sulla stazione di ricarica, il compito di pulizia in corso viene interrotto.

Ripresa automatica della pulizia

Se la batteria è troppo scarica, il robot torna automaticamente alla stazione di ricarica per ricaricarsi. Dopo la ricarica al livello di batteria appropriato, riprenderà le attività di pulizia non ancora concluse.

Nota: Per utilizzare questa funzione, aprirla nell'App.


Modalità Non disturbare (DND)

Quando il robot è impostato sulla modalità Non disturbare (DND), il robot non può riprendere la pulizia e l'indicatore di alimentazione si spegne. La modalità DND è disattivata per impostazione predefinita in fabbrica. Con l'App è possibile attivare la modalità DND o modificare il periodo di DND. Per impostazione predefinita, il periodo di DND va dalle 22:00 alle 8:00.



Nota:

- Le attività di pulizia programmate saranno eseguite come di consueto durante il periodo di DND.
- Alla scadenza del periodo di DND, il robot riprenderà la pulizia dal punto in cui l'aveva lasciata.

Pulizia localizzata

Quando il robot è in standby, tenere premuto il pulsante  per 3 secondi per attivare la modalità di pulizia localizzata. In questa modalità, il robot pulisce un'area quadrata di 1,5 x 1,5 metri intorno a sé e torna al punto di partenza una volta completata la pulizia localizzata.

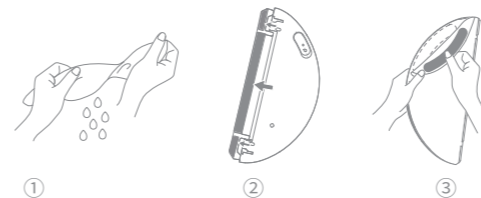
Riavvio del robot

Se il robot smette di rispondere o non può essere spento, tenere premuto il pulsante  per 10 secondi per spegnerlo. Quindi, tenere premuto il pulsante  per 3 secondi per accendere il robot.

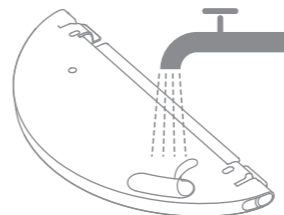
Utilizzo della funzione lavaggio con il mocio

Si consiglia di aspirare tutti i pavimenti almeno tre volte prima della prima passata di lavaggio per ottenere un effetto di pulizia migliore.

1. Inumidire il panno del mocio e strizzare l'acqua in eccesso. Installare il tampone del mocio come indicato nel diagramma.




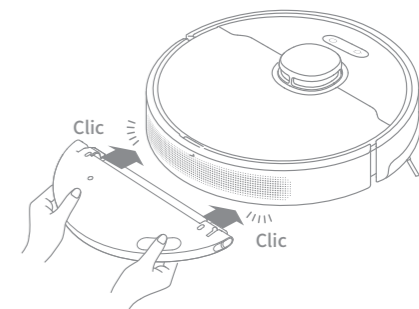
2. Riempire il serbatoio d'acqua.



Nota:

- Non utilizzare detersivi o disinfettanti.
- Non riempire il serbatoio dell'acqua con acqua calda per evitare che il serbatoio si deformi.

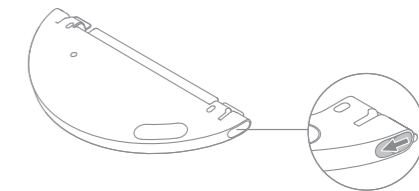
3. Allineare il modulo di pulizia come indicato dalla freccia, quindi farlo scorrere nella parte posteriore del robot finché non scatta in posizione. Premere il pulsante  o utilizzare l'App Dreamehome per avviare la pulizia.



Nota:

- Non è consigliabile utilizzare la funzione di lavaggio sui tappeti.
- Utilizzare l'App per regolare il flusso d'acqua secondo necessità.

4. Quando il robot termina un'attività di pulizia e torna alla stazione di ricarica, rimuovere il gruppo mocio e lavare i tamponi per tempo. Per rimuovere il serbatoio dell'acqua, far scorrere le due clip di rilascio sul lato per estrarlo.



Nota: Quando il robot è in carica o non viene utilizzato, rimuovere il modulo di lavaggio, versare tutta l'acqua rimanente nel serbatoio dell'acqua e pulire il panno del mocio per evitare muffa o odori.

Parti di ricambio

Per mantenere il robot in buone condizioni, si raccomanda di fare riferimento all'utilizzo degli accessori nell'app o alla tabella seguente per la manutenzione ordinaria.

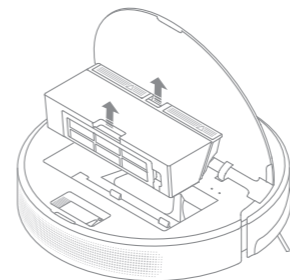
Parte	Frequenza di manutenzione	Periodo di sostituzione
Tampone del mocio	Dopo ogni utilizzo	Ogni 3-6 mesi
Spazzola principale	Una volta ogni 2 settimane	Ogni 6-12 mesi
Filtro del contenitore della polvere		Ogni 3-6 mesi
Spazzola laterale	Una volta al mese	/
Area di segnalazione della stazione di ricarica		
Contatti di ricarica della stazione di ricarica		
Ruota omnidirezionale		
Distanza laser Sensore (LDS)		
Contatti di ricarica del robot		

Parte	Frequenza di manutenzione	Periodo di sostituzione
Paraurti	Una volta al mese	/
Fondo del robot		
Sensori di dislivello		
Sensore di ritorno alla base	Pulire se necessario	/
Serbatoio dell'acqua		
Contenitore della polvere		

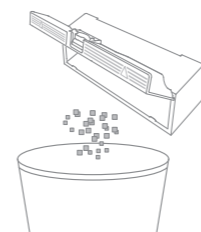
Nota: La frequenza di sostituzione dipende dall'utilizzo del robot. Se si verifica un'eccezione dovuta a circostanze particolari, le parti devono essere sostituite.

Contenitore della polvere

1. Aprire il coperchio del robot e premere la clip per rimuovere il contenitore della polvere.

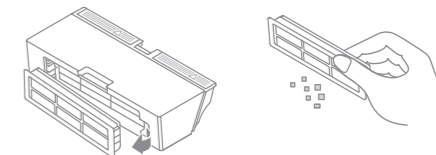


2. Aprire il coperchio del contenitore della polvere e svuotarlo come mostrato nel diagramma.



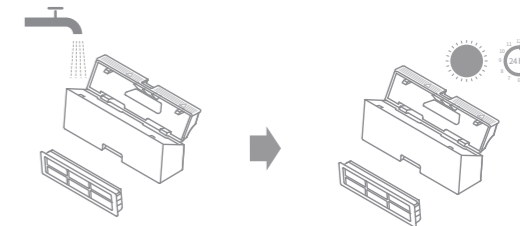
Filtro

1. Rimuovere il filtro e battere delicatamente il suo cestello.



Nota: Non tentare di pulire il filtro con spazzole, dita o oggetti appuntiti per evitare di danneggiarlo.

2. Sciacquare il contenitore della polvere e il filtro con acqua pulita e asciugarli completamente prima di rimontarli.



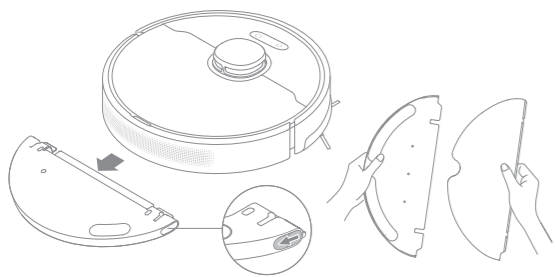
Nota:

- Sciacquare il contenitore della polvere e il filtro solo con acqua pulita. Non utilizzare alcun detergente.
- Utilizzare il contenitore della polvere e il filtro solo quando sono completamente asciutti.

Manutenzione ordinaria

Modulo mocio

1. Far scorrere le due clip di rilascio sul lato del serbatoio dell'acqua, rimuovere il modulo di pulizia ed estrarre il tampone del mocio dal modulo di pulizia.

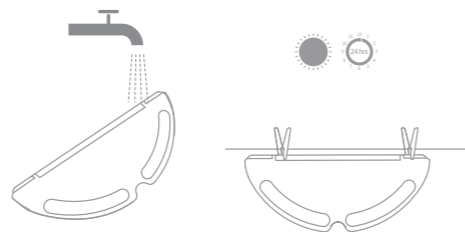


2. Svotare l'acqua dal serbatoio. Pulire il serbatoio solo con acqua e lasciarlo asciugare all'aria prima di rimontarlo.



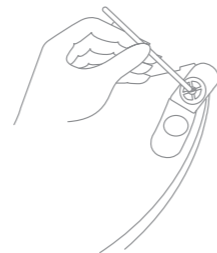
Nota: Non esporre direttamente il serbatoio dell'acqua alla luce del sole.

3. Pulire il panno del mocio solo con acqua e lasciarlo asciugare all'aria prima di rimontarlo.



Nota: Rimuovere il tampone del mocio dal modulo di pulizia prima di pulirlo e assicurarsi che l'acqua sporca non rifluisca nell'uscita dell'acqua per evitare intasamenti.

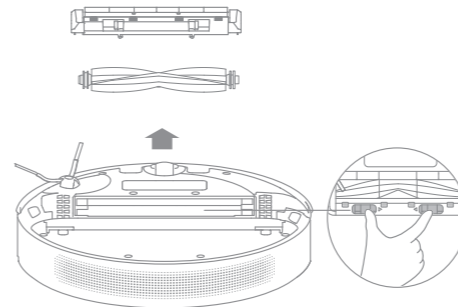
4. Se il flusso dell'acqua è lento o il volume dell'acqua non è ben distribuito, pulire il foro dell'aria nel coperchio del serbatoio dell'acqua.



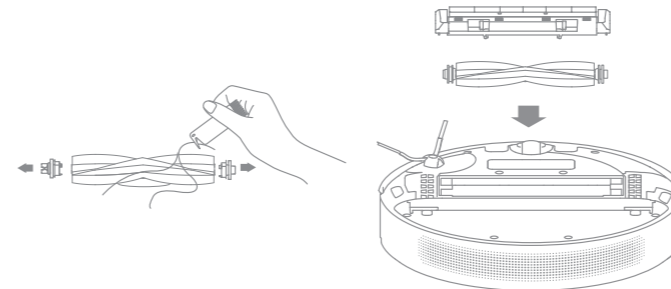
Manutenzione ordinaria

Spazzola principale

1. Premere i fermi della protezione della spazzola verso l'interno per rimuoverla e sollevare la spazzola dal robot.

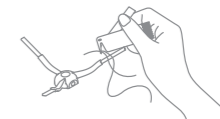


2. Estrarre i coperchi delle spazzole alle due estremità della spazzola, come mostrato nel diagramma. Utilizza lo strumento di pulizia in dotazione per rimuovere i peli impigliati nella spazzola. Reinstallare i coperchi delle spazzole su entrambe le estremità della spazzola, e poi la spazzola. Premere sulla protezione della spazzola per bloccarla in posizione.

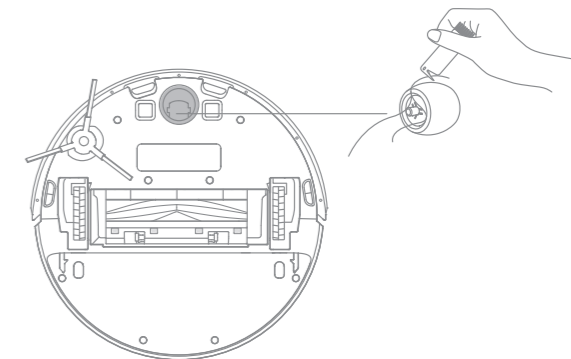


Spazzola laterale

Rimuovere e pulire la spazzola laterale.



Ruota omnidirezionale



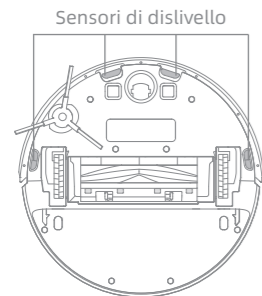
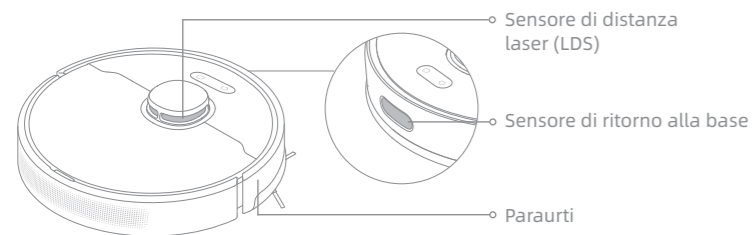
Nota:

- Utilizzare un utensile come un piccolo cacciavite per separare l'asse e il pneumatico della ruota omnidirezionale. Non usare una forza eccessiva.
- Sciacquare la ruota omnidirezionale sotto l'acqua corrente e rimontarla dopo averla asciugata completamente.

Manutenzione ordinaria

Sensori del robot

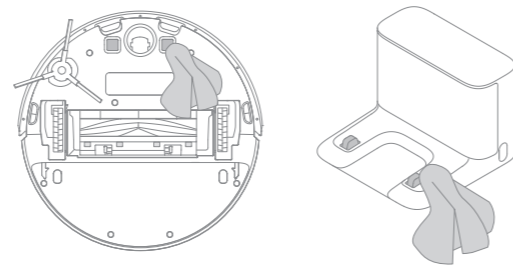
Pulire i sensori del robot con un panno morbido e asciutto, come mostrato nella figura seguente:



Nota: Un panno bagnato può danneggiare gli elementi sensibili del robot e della stazione di ricarica. Per la pulizia utilizzare un panno asciutto.

Contatti di ricarica e area di segnalazione

Pulire i contatti di ricarica e l'area di segnalazione con un panno morbido e asciutto.



Batteria

Il robot contiene una batteria agli ioni di litio ad alte prestazioni. Assicurarsi che la batteria rimanga ben carica durante l'uso quotidiano per mantenere prestazioni ottimali. Se il robot non viene utilizzato per un tempo prolungato, spegnerlo e metterlo via. Per evitare danni dovuti a scariche eccessive, caricare il robot almeno una volta ogni tre mesi.

Risoluzione dei problemi

Problema	Soluzione
Il robot non si accende.	La batteria è scarica. Ricaricare il robot sulla stazione di ricarica e riprovare. La temperatura della batteria è troppo bassa o troppo alta. Si raccomanda di far funzionare l'apparecchio a una temperatura compresa tra 32 °F (0 °C) e 104 °F (40 °C).
Il robot non si ricarica.	La stazione di ricarica non riceve alimentazione. Verificare che entrambe le estremità del cavo di alimentazione siano collegate correttamente. Scarso contatto. Pulire i contatti di ricarica della stazione di ricarica e del robot.
Il robot non torna alla stazione di ricarica.	Ci sono troppi ostacoli intorno alla stazione di ricarica. Posizionare la stazione di ricarica in un'area più aperta. Pulire l'area di segnalazione della stazione.
Il robot non funziona correttamente.	Spegnere il robot e riattivarlo.
Il robot fa uno strano rumore.	Un oggetto estraneo può essere rimasto incastrato nella spazzola principale, nella spazzola laterale o in una delle ruote principali. Arrestare il robot e rimuovere eventuali detriti.
Il robot non pulisce più in modo efficiente o lascia polvere.	Il contenitore della polvere è pieno. Pulirlo. Il filtro è bloccato. Pulirlo. Un oggetto estraneo è rimasto incastrato nella spazzola principale. Pulirlo.

Problema	Soluzione
Il robot non riesce a connettersi al Wi-Fi.	C'è qualcosa che non va nella connessione Wi-Fi. Resettare il Wi-Fi e scaricare l'ultima versione dell'app Dreamehome, quindi provare a riconnettersi. Il permesso di localizzazione non è attivo. Assicurarsi che l'autorizzazione alla localizzazione sull'app Dreamehome sia abilitata. Il segnale Wi-Fi è debole. Assicurarsi che il robot si trovi in un'area con una buona copertura Wi-Fi. Il Wi-Fi a 5 GHz non è supportato. Assicurarsi che il robot si colleghi al Wi-Fi a 2,4 GHz. Il nome utente o la password del Wi-Fi non sono corretti. Inserire username e password corretti.
Il robot non esegue la pulizia programmata.	La batteria del robot è scarica. La pulizia programmata non si avvia se il robot non ha almeno il 15% di batteria residua.
Lasciare il robot sulla stazione di ricarica consuma energia se è già completamente carico?	Lasciare il robot sulla stazione di ricarica dopo che è stato completamente caricato consuma pochissima elettricità e contribuisce a mantenere le prestazioni ottimali della batteria.
Dal serbatoio dell'acqua non esce acqua o ne esce poca.	Controllare se c'è acqua nel serbatoio dell'acqua. Pulire il tampone del mocio se si sporca. Assicurarsi che il mocio sia installato correttamente come indicato nel manuale d'uso. Pulire il foro dell'aria sul tappo del serbatoio dell'acqua.
Il robot non riprende la pulizia dopo la ricarica.	Assicurarsi che il robot non sia impostato sulla modalità Non disturbare (DND), che gli impedisce di riprendere la pulizia. Il robot non riprende la pulizia quando viene ricaricato manualmente o collocato sulla stazione di ricarica.
Il robot non torna alla base di ricarica dopo essere stato spostato.	Lo spostamento del robot può provocare un riposizionamento o una nuova mappatura dell'ambiente circostante. Se il robot è troppo lontano dalla stazione di ricarica, potrebbe non essere in grado di tornare automaticamente da solo, nel qual caso sarà necessario posizionare manualmente il robot sulla stazione di ricarica.

Per ulteriore supporto, contattateci tramite <https://global.dreameotech.com>

Robot

Modello	RLD34GA
Tempo di ricarica	Circa 6 ore
Tensione nominale	14,4 V ---
Potenza nominale	75 W
Frequenza di funzionamento	2400-2483,5 MHz
Potenza di uscita massima	< 20 dBm

In condizioni normali di utilizzo, questa apparecchiatura deve essere tenuta a una distanza di almeno 20 cm tra l'antenna e il corpo dell'utente.

Stazione di ricarica

Modello	RCS0
Ingresso nominale	100-240 V ~ 50/60 Hz 0,5 A
Uscita nominale	19,8 V --- 1 A

Scatola	Manuale	Manuale	Pellicola	Pellicola	Borsa	Maniglia	Pellicola
PAP 20	PAP 21	PAP 22	PVC 3	PET 1	CPE 7	PE 4/PP 5	PP 5
Carta			Plastica				
RACCOLTA DIFFERENZIATA							
<small>Verifica le disposizioni del tuo Comune. Separa le componenti e conferiscile in modo corretto.</small>							

Smaltimento e rimozione della batteria

La batteria agli ioni di litio incorporata contiene sostanze pericolose per l'ambiente. Prima di smaltire la batteria, assicurarsi che venga rimossa da tecnici qualificati e smaltita presso un centro di riciclo appropriato.

- la batteria deve essere rimossa dall'apparecchio prima di essere rottamata;
- l'apparecchio deve essere scollegato dalla rete di alimentazione quando si rimuove la batteria;
- la batteria deve essere smaltita in modo sicuro.

ATTENZIONE:

Prima di rimuovere la batteria, scollegare l'alimentazione e scaricare il più possibile la batteria.

Le batterie non necessarie devono essere smaltite presso un impianto di riciclo appropriato.

Non esporre a temperature elevate per evitare rischi di esplosione.

In caso di condizioni difficili, è possibile che il liquido venga espulso dalla batteria. In caso di contatto, sciacquare con acqua e consultare un medico.

Guida alla rimozione:

1. Capovolgere il robot, utilizzare uno strumento appropriato per rimuovere le viti sul retro del robot, quindi rimuovere il coperchio.
2. Scollegare i terminali tra la batteria e la scheda PCB per rimuovere la batteria.

Informazioni sui RAEE



Tutti i prodotti contrassegnati da questo simbolo sono rifiuti di apparecchiature elettriche ed elettroniche (RAEE come da direttiva 2012/19/UE) che non devono essere mescolati con i rifiuti domestici indifferenziati. Per proteggere la salute umana e l'ambiente, invece, è necessario consegnare i rifiuti di apparecchiature a un punto di raccolta designato per il riciclaggio dei rifiuti di apparecchiature elettriche ed elettroniche, nominato dal governo o dalle autorità locali. Lo smaltimento e il riciclo corretti aiutano a prevenire potenziali conseguenze negative per l'ambiente e la salute umana. Per ulteriori informazioni sull'ubicazione e sui termini e le condizioni di tali punti di raccolta, contattare l'installatore o le autorità locali.

Información sobre seguridad

Para evitar descargas eléctricas, incendios o lesiones causadas por uso inadecuado del aparato, lea atentamente el manual del usuario antes de utilizar el aparato y guárdelo para futuras consultas.

Restricciones de uso

- Este producto no debe ser utilizado por niños menores de 8 años ni por personas con deficiencias físicas, sensoriales o intelectuales, o experiencia o conocimientos limitados, sin la supervisión de un progenitor o un tutor legal que pueda garantizar un funcionamiento seguro y evitar riesgos. La limpieza y el mantenimiento no deben ser realizados por menores sin supervisión.
- Este producto no es un juguete. Asegúrese de que tanto niños como mascotas mantienen una distancia de seguridad mientras esté en funcionamiento.
- Este producto es solo apto para la limpieza de suelos del hogar. No lo utilice en exteriores, en otro tipo de superficies ni en un entorno comercial o industrial.
- Si se daña o se rompe el cable de alimentación, deje de usarlo inmediatamente y póngase en contacto con el servicio posventa.
- No use el robot en zonas con desnivel sin una barrera protectora.
- No coloque el robot boca abajo. No utilice la cubierta del SLD, la cubierta del robot o el parachoques como asa para mover el robot.
- Utilice el robot aspirador en entornos con una temperatura ambiente superior a 0 °C e inferior a 40 °C. Compruebe que no haya ningún líquido o sustancia pegajosa en el suelo.
- Recoja cualquier cable del suelo antes de usar el robot para evitar que se dañen durante la limpieza.
- Recoja objetos frágiles o pequeños del suelo para evitar que el robot los succione y los dañe.
- Para evitar daños por arrastre, por favor quite cualquier objeto suelto del piso y guarde los cables en la ruta de limpieza antes de operar el aparato.

Información sobre seguridad

Restricciones de uso

- Evite que el pelo, los dedos o cualquier otra parte del cuerpo entre en contacto con la zona de succión del robot.
- Mantenga el cepillo de limpieza fuera del alcance de los niños.
- No coloque niños, mascotas ni cualquier objeto encima del robot si este se encuentra estacionado o en movimiento.
- No use el robot para limpiar sustancias tóxicas o inflamables. No utilice el robot para recoger líquidos inflamables o combustibles, gases corrosivos o ácidos o disolventes sin diluir.
- No aspire objetos duros o afilados. No utilice el aparato para recoger objetos como piedras, trozos de papel grandes o cualquier elemento que pueda obstruir el aparato.
- Antes de limpiar el robot o realizar labores de mantenimiento, asegúrese de que está apagado y la base de carga desconectada.
- No utilice paño húmedo ni ningún líquido para limpiar o enjuagar el robot y el puerto de carga. Las piezas lavables deben secarse completamente antes de ser instaladas y utilizadas.
- Asegúrese de que el robot esté apagado cuando lo transporte y guárdelo en su embalaje original si es posible.
- Use este producto de acuerdo con las instrucciones del manual. Los usuarios son responsables de cualquier pérdida o daño debidos a un uso no adecuado del producto.

Información sobre seguridad

Baterías y carga

- No utilice ninguna batería, cable de alimentación o base de carga de terceros. Usar sólo con la unidad de alimentación RCS0.
- No intente desarmar, reparar ni modificar la batería o la base de carga por su cuenta.
- No coloque la base de carga cerca de una fuente de calor.
- No limpie los contactos de carga de la base con un paño húmedo ni las manos mojadas.
- No deseche las pilas usadas de forma inadecuada. Las baterías que ya no se necesitan deben desecharse en una instalación de reciclaje adecuada.
- Si no va a utilizar el robot durante un largo periodo de tiempo, cárguelo completamente, apáguelo y guárdelo en un lugar fresco y seco. Recargue el robot al menos una vez cada 3 meses para evitar la sobredescarga de la batería.
- Este producto contiene baterías que solo pueden ser reemplazadas por técnicos cualificados o por el servicio posventa.

Información sobre seguridad láser

- El sensor láser de este producto cumple la Norma IEC 60825-1:2014/EN 60825-1:2014/A11:2021 para productos láser Clase 1. Cuando lo use, evite el contacto directo con los ojos.

PRODUCTO LÁSER CLASE 1
 PRODUCTO LÁSER DE CONSUMO CLASE 1
 EN 50689:2021



Solo para uso en interiores

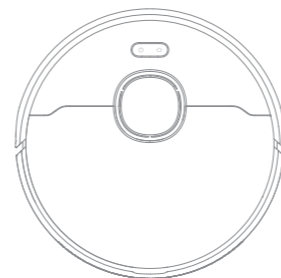


Lea el manual del operador

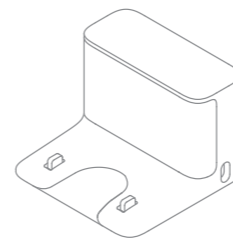
Por la presente, Dreame Trading(Tianjin)Co., Ltd. declara que el equipo de radio tipo RLD34GA cumple la Directiva 2014/53/EU. El texto completo de la declaración de conformidad de la UE está disponible en la siguiente dirección de Internet: <https://global.dreameotech.com>
Para un manual electrónico detallado, vaya a la dirección <https://global.dreameotech.com/pages/user-manuals-and-faqs>

Descripción general del producto

Contenido del embalaje



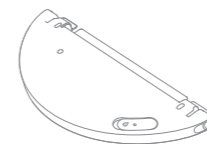
Robot



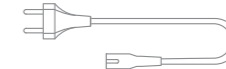
Estación de carga



Cepillo lateral



Depósito de agua



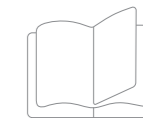
Cable de alimentación



Mopa
(preinstalada)



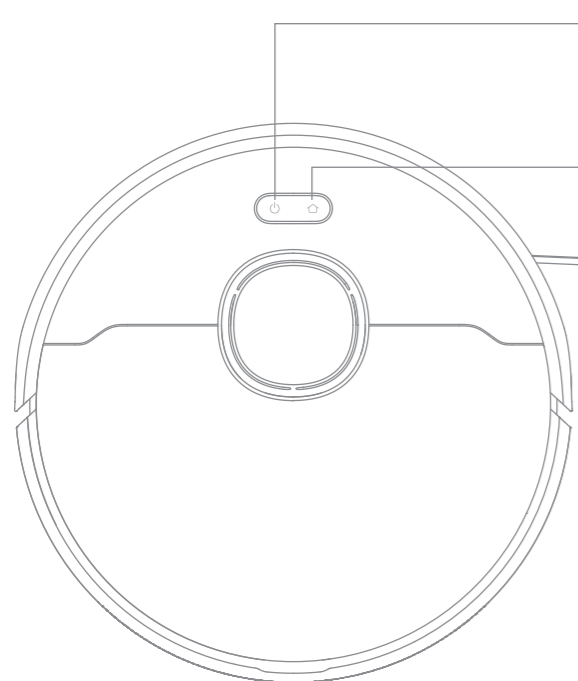
Herramienta de limpieza
(preinstalada)



Manual de Usuario

Otros accesorios

Robot



Botón de encendido/limpieza

- Mantenga pulsado durante 3 segundos para encender o apagar
- Pulse para empezar a limpiar después de encender el robot

Botón de limpieza localizada/ataque

- Pulse para enviar el robot de regreso a la estación de carga
- Mantenga pulsado durante 3 segundos para iniciar la limpieza localizada

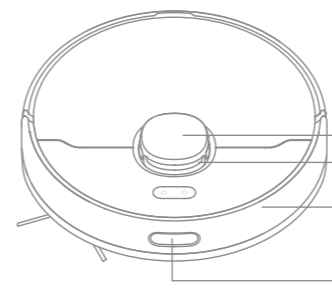
Indicador de estado

- **Blanco fijo:** La limpieza o limpieza a fondo se ha completado
- **Parpadeo en naranja:** Error
- **Parpadeo en blanco:** El robot carga cuando el nivel de batería sea bajo

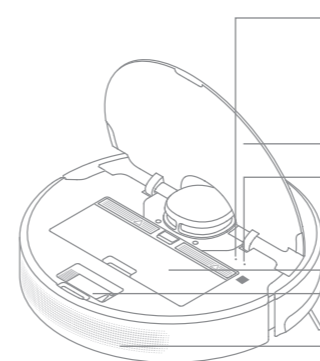
Nota:

- Pulse cualquier botón en el robot para pausar mientras el robot esté limpiando o volviendo para cargar.
- El bloqueo infantil se puede activar/desactivar mediante la app Dreamehome.

Robot y sensores

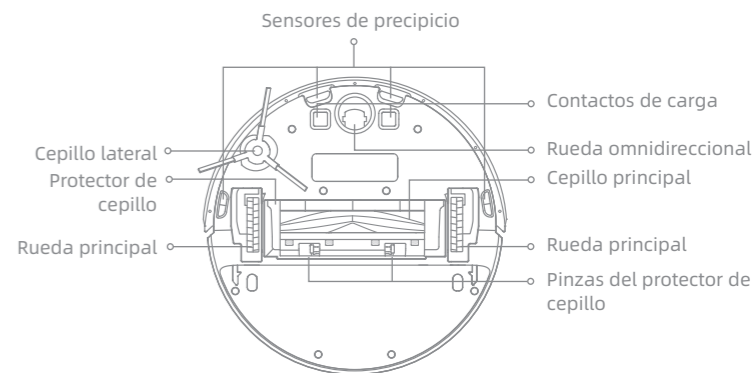


Cubierta del LDS
 Sensor láser de distancia (LDS)
 Parachoques
 Sensor de regreso a la base



Botón de restablecimiento
 · Mantenga pulsado durante 3 segundos para restaurar la configuración de fábrica

Cubierta
 Indicador Wi-Fi
 Caja de polvo
 Herramienta de limpieza
 Altavoz/salida de aire



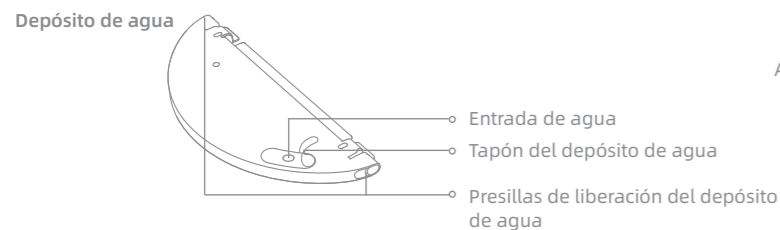
Sensores de precipicio
 Contactos de carga
 Rueda omnidireccional
 Cepillo principal
 Rueda principal
 Pinzas del protector de cepillo
 Cepillo lateral
 Protector de cepillo

Caja de polvo

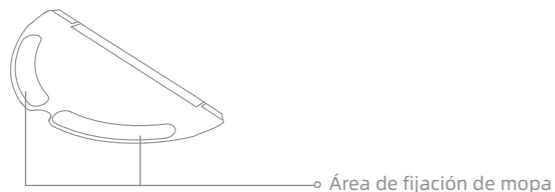


Presilla de caja de polvo
 Cubierta de caja de polvo
 Presilla de la cubierta de la caja de polvo
 Presilla de filtro
 Filtro

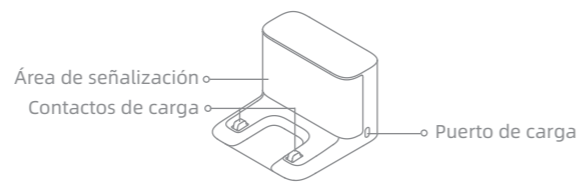
Módulo de mopa



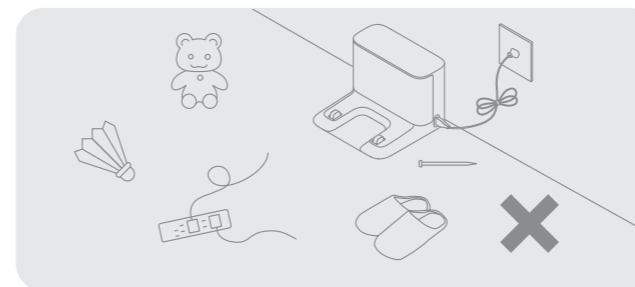
Mopa



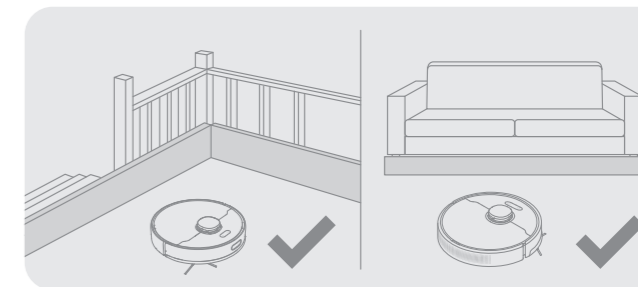
Estación de carga



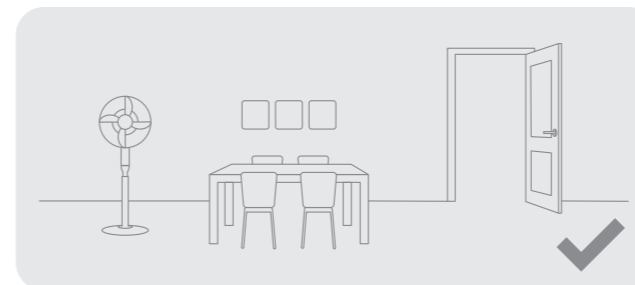
Preparando su hogar



Antes de limpiar, retire los artículos inestables, frágiles, valiosos o peligrosos, y recoja los cables, la ropa, los juguetes y los objetos afilados y rígidos del suelo para evitar que se enreden, se arañen o se golpeen con el robot causando pérdidas.



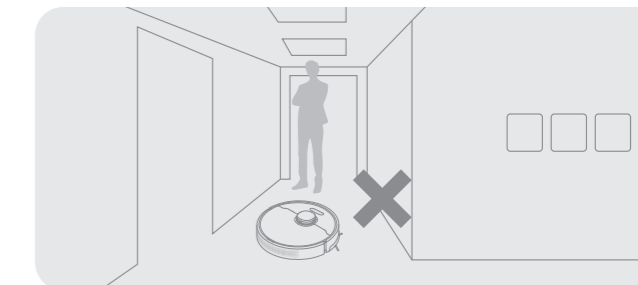
Antes de empezar a limpiar, ponga una barrera física en el borde de las escaleras y el sofá para garantizar un funcionamiento seguro y fluido del robot.



Abra la puerta de la habitación que va a limpiar y coloque los muebles en el lugar apropiado para hacer más espacio.

Nota:

- Cuando utilice el robot por primera vez, sígalo mientras realiza limpieza para quitar de inmediato cualquier obstáculo potencial.
- No aspire objetos rígidos como piedras, bolas de acero ni piezas de juguetes, u objetos afilados como residuos de construcción, cristales rotos y clavos, de lo contrario el suelo podría rayarse.




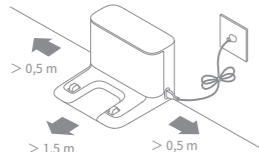
Para evitar que el robot no reconozca el área a limpiar, no permanezca de pie delante del robot, en el umbral, el pasillo ni lugares estrechos.

Antes de usar

1. Coloque la estación de carga y conéctela a una toma eléctrica

Coloque la estación de carga sobre un suelo nivelado contra la pared. Inserte el cable de alimentación en la estación de carga y conéctelo a la toma eléctrica.

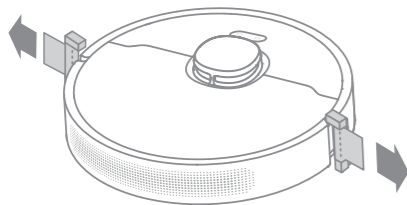
 Coloque la estación de carga en un lugar lo más abierto posible con una buena señal Wi-Fi.



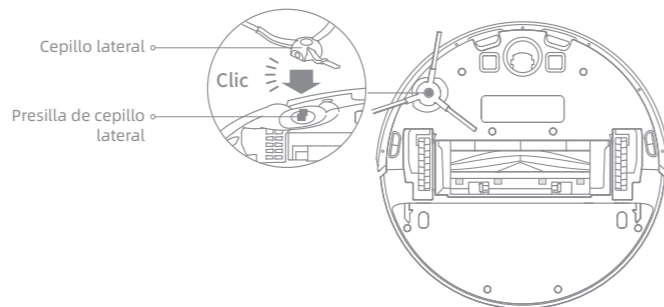
Nota:

- Retire los objetos a menos de 1,5 m de la parte delantera y 0,5 m a cada lado de la estación de carga.
- No coloque la estación de carga en una área con luz solar directa o donde otros objetos puedan bloquear la señal, ya que esto puede dificultar que el robot regrese a la estación de carga.

2. Retirar las protecciones



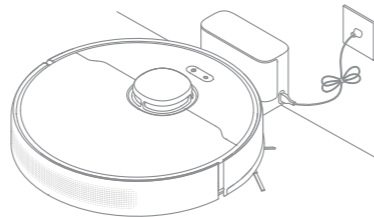
3. Instalar el cepillo lateral



Nota: Instale el cepillo lateral hasta que encaje en su sitio.

4. Cargar el robot

Cuando coloque el robot, alinee los contactos de carga en la parte inferior del robot con los contactos de carga de la estación de carga, y el robot se encenderá automáticamente y comenzará a cargarse.

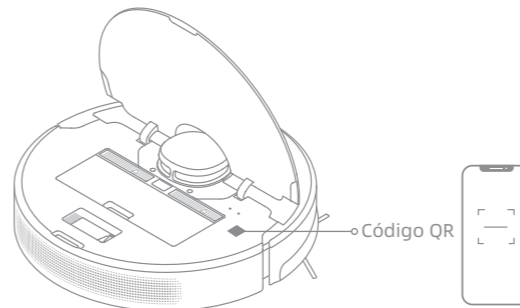


Nota: Antes de usarlo por primera vez, se recomienda cargar totalmente el robot.

Conexión con la app Dreamehome

1. Descargar la app Dreamehome

Escanee el código QR del robot, o busque "Dreamehome" en la App Store para descargarla e instalarla.

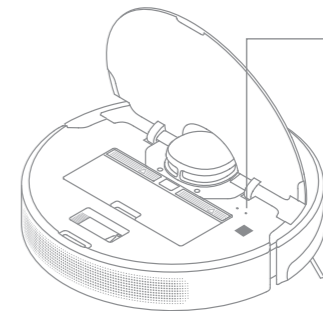


Nota:

- Solo compatible con Wi-Fi de 2,4 GHz.
- Debido a actualizaciones del software de la app, el funcionamiento real puede diferir de las indicaciones que hay en este manual. Siga las instrucciones en función de la versión actual de la app.

2. Añadir un dispositivo



Abra la app Dreamehome, toque "+" en la esquina superior derecha y escanee de nuevo el mismo código QR del robot para añadir el dispositivo. Siga las indicaciones para finalizar la conexión WiFi.



Nota: Si desea restablecer el WiFi, repita el paso 2 y luego siga las indicaciones para finalizar la conexión WiFi.

Modo de uso


Encender/apagar

Mantenga presionado el botón  3 segundos para encender el robot. El indicador de alimentación se debe iluminar. Al colocar el robot en la estación de carga, el robot se debe encender automáticamente y empezar a cargar. Apague el robot, muévalo fuera de la estación y mantenga pulsado el botón  3 segundos.

Mapeo rápido

Después de configurar la red por primera vez, siga las instrucciones de la aplicación para crear rápidamente un mapa. El robot comenzará a mapear sin limpiar. El proceso de mapeo se completará cuando el robot regrese a la estación de carga, y el mapa se guardará automáticamente.

Empezar a limpiar

Pulse brevemente el botón  para empezar a limpiar después de encender el robot. A continuación, el robot trazará una ruta de forma precisa, limpiará sistemáticamente a lo largo de los bordes y las paredes, luego terminará limpiando cada habitación con un patrón en forma de S para garantizar un trabajo exhaustivo.

Nota: Se recomienda que el robot salga de la estación de carga antes de limpiar. No mueva la estación de carga mientras el robot esté limpiando. Esto garantiza que el robot vuelva correctamente a la estación de carga.

Pausa/Reposo

Cuando el robot esté funcionando, pulse cualquier botón para pausarlo.

Si el robot está pausado más de 10 minutos, entra automáticamente en modo de reposo. Todos los indicadores del robot se apagan. Para despertar el robot, pulse cualquier botón del robot o la estación base, o use la app.

Nota: Si el robot se detiene y se coloca en la estación de carga, se termina el proceso de limpieza actual.

Reanudación automática de la limpieza

Si las baterías tienen muy poca carga, el robot vuelve automáticamente a la estación de carga para cargarse. Después de llegar a la carga apropiada de la batería, retomará las tareas de limpieza no finalizadas.

Nota: Para usar esta función, ábrala en la app.


Modo No molestar (DND)

Cuando el robot se pone en el modo No Molestar (DND), se impide que el robot retome la limpieza y el indicador de alimentación se apaga. El modo DND está inhabilitado de manera predeterminada desde la fábrica. Se puede usar la aplicación para habilitar el modo DND o modificar el periodo DND. El periodo DND es 22:00-8:00 de manera predeterminada.



Nota:

- Las tareas de limpieza programada se realizarán de la manera habitual durante el periodo DND.
- Cuando termine el periodo DND, el robot reanudará la limpieza donde la dejó.

Limpieza localizada

Cuando el robot está en espera, presione brevemente el botón  3 segundos para habilitar el modo de limpieza localizada. En este modo, el robot limpia una área de forma cuadrada de 1,5 x 1,5 metros a su alrededor y vuelve a su punto de partida una vez que se completa la limpieza localizada.

Reinicio del robot

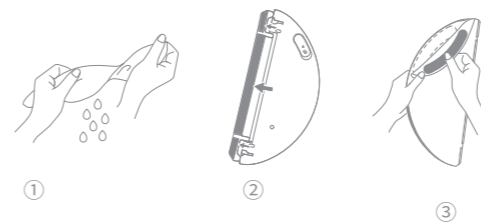
Si el robot deja de responder o no se puede apagar, mantenga pulsado el botón  durante 10 segundos para forzar el apagado. Luego mantenga pulsado el botón  durante 3 segundos para encender el robot.

Modo de uso

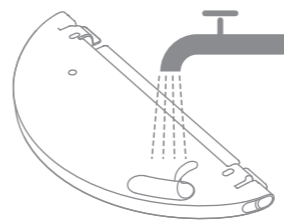
Cómo usar la función de pasar la mopa

Se recomienda aspirar todos los suelos al menos tres veces antes de la primera sesión de pasar la mopa para lograr un mejor efecto de limpieza.

1. Humedezca la mopa y escurra el exceso de agua. Instale la mopa como se muestra en el diagrama.




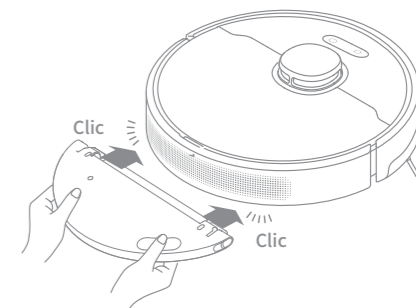
2. Llene el depósito con agua.



Nota:

- No use detergente o desinfectante.
- No llene el depósito de agua con agua caliente, esto podría provocar que el depósito se deforme.

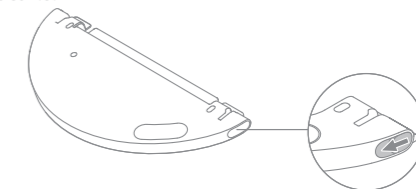
3. Alinee el módulo de mopa como indica la flecha, luego deslícelo en la parte trasera del robot hasta que encaje en su sitio. Pulse el botón  o use la app Dreamehome para empezar a limpiar.



Nota:

- Se recomienda usar la función de pasar la mopa en las alfombras.
- Use la app para ajustar el flujo de agua según sea necesario.

4. Cuando el robot finaliza la limpieza y vuelve a la estación de carga, retire el conjunto de mopa y lave las mopas a tiempo. Para retirar el depósito de agua, deslice las dos presillas de liberación en el lado del mismo para sacarlo.



Nota: Cuando el robot está cargando o no está en uso, retire el módulo de mopa, vierta todo el agua que queda en el depósito de agua y limpie la mopa para evitar moho y olores.

Piezas

Para mantener el robot en buenas condiciones, se recomienda consultar el uso de accesorios en la app o en la siguiente tabla de mantenimiento rutinario.

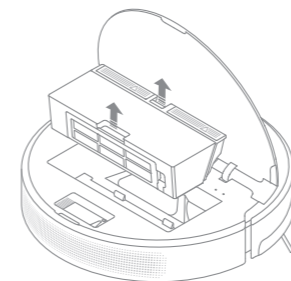
Pieza	Frecuencia de mantenimiento	Frecuencia de sustitución
Mopa	Después de cada uso	Cada 3 a 6 meses
Cepillo principal	Una vez cada 2 semanas	Cada 6 a 12 meses
Filtro de la caja de polvo		Cada 3 a 6 meses
Cepillo lateral	Una vez al mes	/
Área de señalización de la estación de carga		
Contactos de carga de la estación de carga		
Rueda omnidireccional		
Sensor láser de distancia (LSD)		
Contactos de carga del robot		

Pieza	Frecuencia de mantenimiento	Frecuencia de sustitución
Parachoques	Una vez al mes	/
Parte inferior del robot		
Sensores de precipicio		
Sensor de regreso a la base	Limpie cuando sea necesario	/
Depósito de agua		
Caja de polvo		

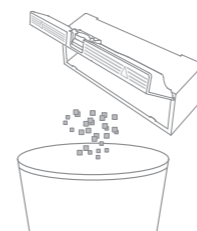
Nota: La frecuencia de sustitución dependerá de su uso del robot. Si ocurre una excepción debido a circunstancias especiales, las piezas deben ser sustituidas.

Caja de polvo

1. Abra la cubierta del robot y pulse la presilla para retirar la caja de polvo.

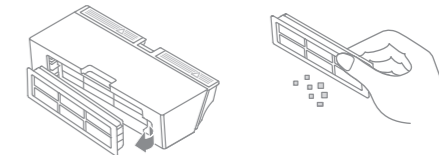


2. Abra la cubierta de caja de polvo y vacíela como se muestra en el diagrama.



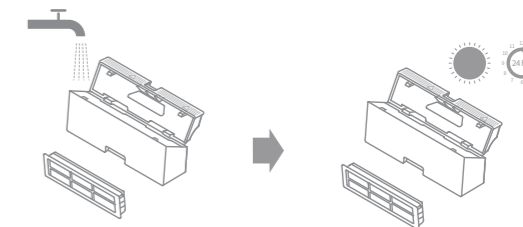
Filtro

1. Retire el filtro y golpee suavemente su canasta.



Nota: No intente limpiar el filtro con un cepillo, los dedos u objetos afilados para evitar daños.

2. Enjuague la caja de polvo y el filtro con agua y séquelos completamente antes reinstalarlos.



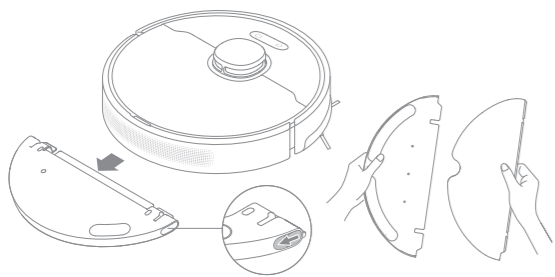
Nota:

- Enjuague la caja de polvo y el filtro exclusivamente con agua. No utilice detergente.
- Use la caja de polvo y el filtro únicamente cuando estén completamente secos.

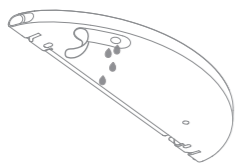
Mantenimiento rutinario

Módulo de mopa

1. Deslice las dos presillas de liberación en los lados del depósito de agua, retire el módulo de mopa y quite la mopa del módulo de mopa.

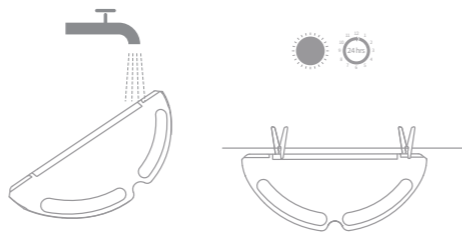


2. Vierta el agua del depósito. Limpie el depósito solo con agua y déjelo secar al aire antes de volver a montarlo.



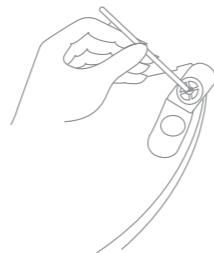
Nota: No exponga el depósito de agua directamente al sol.

3. Limpie la mopa solo con agua y déjela secar al aire antes de volver a instalarla.



Nota: Retire la mopa del módulo de mopa antes de limpiarla y asegúrese de que el agua sucia no fluya de nuevo hacia la salida de agua para evitar obstrucciones.

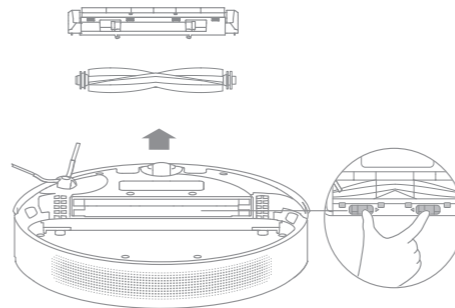
4. Si se produce un flujo de agua lento o la cantidad de agua no está bien distribuida, limpie los orificios de ventilación de la cubierta del depósito de agua.



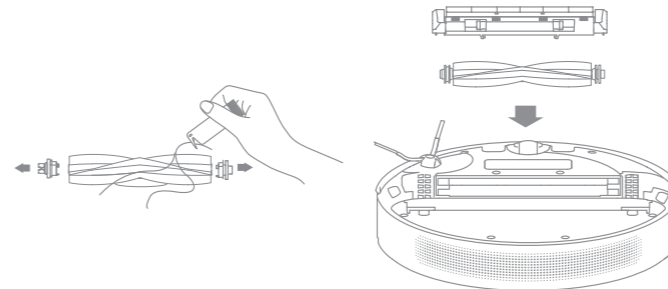
Mantenimiento rutinario

Cepillo principal

1. Presione las presillas del protector de cepillo hacia dentro para quitar el protector de cepillo y sacar el cepillo del robot.

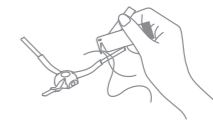


2. Extraiga las cubiertas de cepillo en ambos extremos del cepillo como se muestra en el diagrama. Use la herramienta de limpieza proporcionada para retirar los pelos enredados en el cepillo. Reinstale las cubiertas de cepillo en ambos extremos del cepillo, y luego reinstale el cepillo. Presione sobre el protector de cepillo para bloquearlo en el sitio.

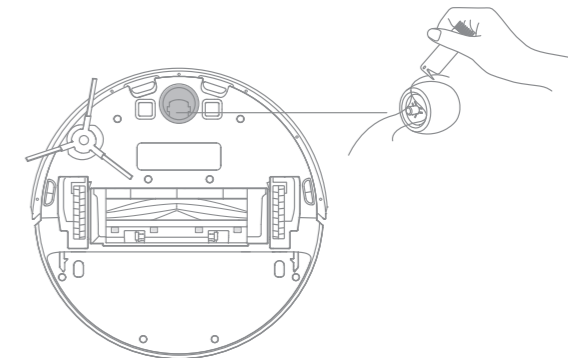


Cepillo lateral

Retire y limpie el cepillo lateral.



Rueda omnidireccional



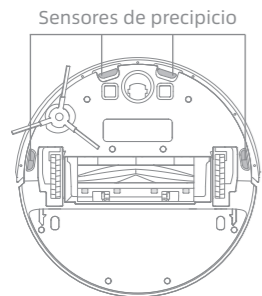
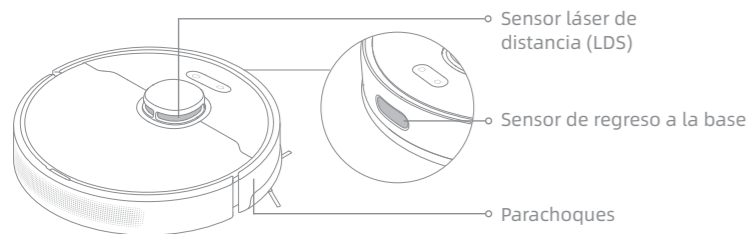
Nota:

- Use una herramienta como un pequeño destornillador para separar el eje y el neumático de la rueda omnidireccional. No ejerza excesiva fuerza.
- Enjuague la rueda omnidireccional con agua corriente y vuelva a ponerla después de secarla completamente.

Mantenimiento rutinario

Sensores del robot

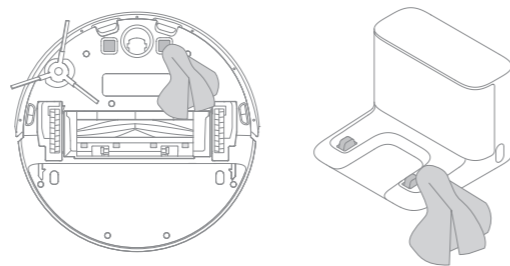
Limpie los sensores del robot con un paño seco y suave, como se muestra en la figura siguiente:



Nota: Un paño húmedo puede dañar los elementos sensibles dentro del robot y la estación de carga. Utilice un paño seco para la limpieza.

Contactos de carga y zona de señalización

Limpie los contactos de carga y el área de señalización con un paño suave y seco.



Batería

El robot cuenta con una batería de iones de litio de alto rendimiento. Asegúrese de que la batería permanezca bien cargada para el uso diario a fin de mantener un rendimiento óptimo. Si el robot se usa durante un periodo de tiempo prolongado, apáguelo y guárdelo. Para evitar daños por descarga excesiva, cargue el robot al menos una vez cada tres meses.

Resolución de Problemas

Problema	Solución
El robot no se enciende.	La batería tiene poca carga. Recargue el robot en la estación de carga e inténtelo de nuevo. La temperatura de la batería está demasiado baja o demasiado alta. Se recomienda que el aparato funcione a una temperatura entre 0 °C (32 °F) y 40 °C (104 °F).
El robot no se carga.	La estación de carga no recibe corriente. Confirme que los dos extremos del cable de alimentación están conectados correctamente. Mal contacto. Limpie los contactos de carga de la estación de carga y el robot.
El robot no regresa a la estación de carga.	Hay demasiadas obstrucciones alrededor de la estación de carga. Coloque la estación de carga en un área más abierta. Limpie el área de señalización de la estación.
El robot no funciona correctamente.	Apague el robot y luego vuelva a encenderlo.
El robot hace un ruido extraño.	Un objeto extraño puede haberse quedado atrapado en el cepillo principal, cepillo lateral o una de las ruedas principales. Detenga el robot y retire cualquier residuo.
El robot ya no limpia de forma eficaz o deja polvo.	La caja de polvo está llena. Límpiela. El filtro está obstruido. Límpiela. Un objeto extraño se ha quedado atrapado en el cepillo principal. Límpiela.

Problema	Solución
El robot no puede conectarse al WiFi.	<p>Hay algún problema con la conexión WiFi. Restablezca el Wi-Fi y descargue la última versión de la app Dreamehome, luego intente volver a conectarlo.</p> <p>El permiso de ubicación no está habilitado. Asegúrese de que el permiso de ubicación en la app Dreamehome está habilitado.</p> <p>La señal de WiFi es débil. Asegúrese de que el robot esté en un área con buena cobertura WiFi.</p> <p>El WiFi de 5 GHz no es compatible. Asegúrese de conectar el robot al Wi-Fi de 2,4 GHz.</p> <p>El nombre de usuario y la contraseña del WiFi son incorrectos. Introduzca la contraseña correcta del nombre de usuario y la contraseña.</p>
El robot no realiza la limpieza programada.	El robot tiene poca batería. La limpieza programada no se iniciará a menos que el robot tenga al menos 15% de batería.
¿El robot consume energía si lo dejo en la estación de carga una vez completamente cargado?	Si deja el robot en la estación de carga una vez completamente cargado, consumirá muy poca energía y ayudará a mantener un rendimiento óptimo de la batería.
No sale agua del depósito de agua, o solo un poco.	<p>Compruebe si hay agua en el depósito de agua.</p> <p>Limpie la mopa si se ensucia.</p> <p>Asegúrese de que la mopa está instalada correctamente según el Manual de Usuario.</p> <p>Limpie el respiradero del tapón del depósito de agua.</p>
El robot no reanuda la limpieza después de la carga.	<p>Asegúrese de que el robot no esté en modo No Molestar (DND), lo que prohibirá que reanude la limpieza.</p> <p>El robot no reanuda la limpieza cuando se carga o se coloca manualmente en la estación de carga.</p>
El robot no vuelve a la estación de carga después de moverlo.	Al mover el robot puede provocar que vuelva a posicionarse o mapee de nuevo el entorno. Si el robot está demasiado lejos de la estación de carga, es posible que no pueda regresar automáticamente por sí solo, en cuyo caso deberá colocar manualmente el robot en la estación base.

Para obtener más ayuda, contacte con nosotros en <https://global.dreameotech.com>

Robot

Modelo	RLD34GA
Tiempo de carga	Aprox. 6 horas
Tensión nominal	14,4 V \approx
Potencia nominal	75 W
Frecuencia de funcionamiento	2400-2483,5 MHz
Potencia máxima de salida	< 20 dBm

En condiciones normales de uso, este equipo debe mantenerse a una distancia de, al menos, 20 cm entre la antena y el cuerpo del usuario.

Estación de carga

Modelo	RCS0
Entrada nominal	100-240 V \sim 50/60 Hz 0,5 A
Salida nominal	19,8 V \approx 1 A

La batería de iones de litio integrada contiene sustancias que son peligrosas para el medio ambiente. Antes de desechar la batería, asegúrese de que la batería sea retirada por técnicos cualificados y desechada en instalaciones de reciclaje apropiadas.

- Se debe retirar la batería del aparato antes de tirarlo;
- el aparato debe desconectarse del suministro eléctrico cuando se retire la batería;
- asegúrese de desechar la batería de forma segura.

PRECAUCIÓN:

Antes de retirar la batería, desconecte la alimentación y agote la batería al máximo.

Las baterías no necesarias se deben desechar en instalaciones de reciclaje apropiadas.

No la exponga a ambiente de alta temperatura para evitar riesgos de explosión.

En condiciones abusivas, el líquido puede ser expulsado de la batería. Si ocurre un contacto, enjuague con agua y busque ayuda médica.

Guía de retirada:

1. Voltee el robot, use una herramienta apropiada para retirar los tornillos de la parte posterior del robot, y luego retire la cubierta.
2. Desenchufe los terminales entre la batería y la placa PCB para retirar la batería.

Información WEEE



Todos los productos que llevan este símbolo son basura de equipos eléctricos y electrónicos (WEEE según la directiva 2012/19/UE) que no deben mezclarse con basura doméstica sin clasificar. En cambio, debe proteger la salud humana y el medio ambiente entregando el residuo de equipos a un punto de recogida designado para el reciclaje de basura de equipos eléctricos y electrónicos, nombrado por el gobierno o las autoridades locales. Una correcta eliminación y reciclaje ayudarán a impedir potenciales consecuencias negativas al medio ambiente y la salud humana. Contacte con el instalador o las autoridades locales para más información acerca de la ubicación así como términos y condiciones de tales puntos de recogida.

Aby uniknąć porażenia prądem, pożaru lub obrażeń ciała spowodowanych niewłaściwym użytkowaniem urządzenia, należy uważnie przeczytać instrukcję obsługi przed użyciem urządzenia i zachować ją na przyszłość.

Ograniczenia w użytkowaniu

- Z produktu nie powinny korzystać dzieci poniżej 8 roku życia ani osoby z niedostatkami i fizycznymi, sensorycznymi, intelektualnymi lub ograniczonym doświadczeniem czy niewystarczającą wiedzą bez nadzoru rodzica lub opiekuna, aby zapewnić bezpieczną obsługę i uniknąć wszelkich zagrożeń. Dzieci nie powinny przeprowadzać czyszczenia i konserwacji bez nadzoru.
- Dzieci nie mogą bawić się tym produktem. Należy upewnić się, że dzieci i zwierzęta domowe przebywają w bezpiecznej odległości od odkurzacza z mopem podczas jego pracy.
- Ten produkt jest przeznaczony wyłącznie do czyszczenia podłóg w środowisku domowym. Nie należy używać go na zewnątrz, na powierzchniach innych niż podłogi oraz w pomieszczeniach komercyjnych lub przemysłowych.
- Jeśli przewód zasilający zostanie uszkodzony lub zepsuty, należy natychmiast zaprzestać jego używania i skontaktować się z działem obsługi posprzedażnej.
- Robot nie należy używać na obszarze zawieszonym nad ziemią bez uprzedniego zastosowania bariery ochronnej.
- Nie należy umieszczać robota do góry nogami. Nie należy używać pokrywy czunika laserowego LDS, pokrywy robota ani zderzaka, jako uchwytu.
- Odkurzacza należy używać w temperaturze otoczenia powyżej 0°C i poniżej 40°C. Należy upewnić się, że na podłodze nie ma płynów ani lepkich substancji.
- Przed użyciem robota należy podnieść z podłogi wszelkie przewody, aby zapobiec ich przemieszczaniu podczas czyszczenia.
- Należy usunąć z podłogi wszelkie delikatne lub małe przedmioty, aby zapobiec ich uszkodzeniu w przypadku zderzenia.

Ograniczenia w użytkowaniu

- Aby uniknąć uszkodzeń lub szkód spowodowanych ciągnięciem, przed rozpoczęciem pracy urządzenia należy usunąć z podłogi wszelkie luźne przedmioty oraz usunąć kable lub przewody zasilające znajdujące się na ścieżce czyszczenia.
- Należy trzymać włosy, palce i inne części ciała z dala od otworu ssącego robotów.
- Trzymać przyrząd do czyszczenia szczotki poza zasięgiem dzieci.
- Nie wolno umieszczać dzieci, zwierząt domowych ani żadnych przedmiotów na robocie, niezależnie od tego, czy jest on nieruchomy, czy się porusza.
- Nie używać robota do czyszczenia jakichkolwiek palnych substancji. Nie należy używać robota do czyszczenia łatwopalnych lub wybuchowych cieczy, gazów korozyjnych, nierozcieńczonych kwasów lub rozpuszczalników.
- Nie odkurzaj twardych ani ostrych przedmiotów. Nie należy używać urządzenia do czyszczenia przedmiotów takich jak kamienie, duże kawałki papieru lub innych przedmiotów, które mogą zatkać urządzenie.
- Przed czyszczeniem lub konserwacją należy upewnić się, że robot jest wyłączony, a stacja ładująca jest odłączona od zasilania.
- Nie należy używać mokrej szmatki do wycierania ani żadnego płynu do optukiwania robota i stacji ładującej. Części nadające się do mycia muszą być całkowicie wysuszone przed ich zamontowaniem i użyciem.
- Na czas transportu należy upewnić się, że robot jest wyłączony oraz, w miarę możliwości, znajduje się w oryginalnym opakowaniu.
- Produktu należy używać zgodnie z instrukcjami zawartymi w instrukcji obsługi. Użytkownicy ponoszą odpowiedzialność za wszelkie straty lub szkody wynikające z niewłaściwego użytkowania tego produktu.

Akumulator i ładowanie

- Nie używać zamienników akumulatora, ładowarki ani stacji ładującej. Do stosowania wyłącznie z zasilaczem RCS0.
- Nie należy podejmować samodzielnych prób rozbierania, naprawy lub modyfikowania akumulatora lub stacji ładującej.
- Nie stawiać stacji ładującej w pobliżu źródła ciepła.
- Nie używać mokrej szmatki ani mokrych rąk do wycierania lub czyszczenia styków ładowania stacji ładującej.
- Utylizować stare akumulatory we właściwy sposób. Zbędne akumulatory należy przykazywać do odpowiednich zakładów zajmujących się recyklingiem.
- Jeżeli robot nie będzie używany przez dłuższy czas, należy naładować go do pełna, a następnie wyłączyć i przechowywać w chłodnym i suchym miejscu. Ładować robota co najmniej raz na 3 miesiące, aby uniknąć nadmiernego rozładowania akumulatora.
- Wewnątrz tego produktu znajdują się akumulatory, które mogą być wymieniane wyłącznie przez wykwalifikowanych techników lub serwis posprzedażny.

Informacja o bezpieczeństwie laserowym

- Czujnik laserowy w tym produkcie spełnia normę IEC 60825-1:2014/EN 60825-1:2014/A11:2021 dla produktów laserowych Klasy 1. Unikać bezpośredniego kontaktu z oczami podczas użytkowania.

PRODUKT LASEROWY KLASY 1
KONSUMENCKI PRODUKT LASEROWY
EN 50689:2021



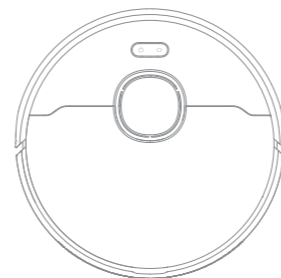
Tylko do użytku w pomieszczeniach



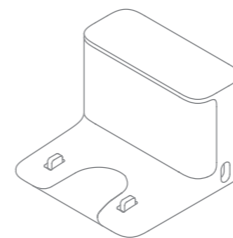
Przeczytaj podręcznik użytkownika

Niniejszym Dreame Trading(Tianjin)Co., Ltd. deklaruje, że sprzęt radiowy typu RLD34GA pozostaje w zgodzie z Dyrektywą 2014/53/EU. Pełny tekst Deklaracji Zgodności UE jest dostępny pod następującym adresem internetowym: <https://global.dreame.tech.com>
Szczegółowy e-podręcznik, patrz <https://global.dreame.tech.com/pages/user-manuals-and-faqs>

Zawartość opakowania



Robot

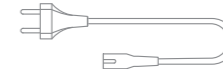


Stacja ładowania

Inne akcesoria



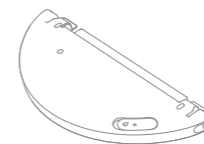
Szczotka boczna



Kabel zasilania



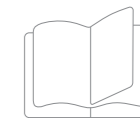
Narzędzie do sprzątania
(wstępnie zainstalowana)



Zbiornik na wodę

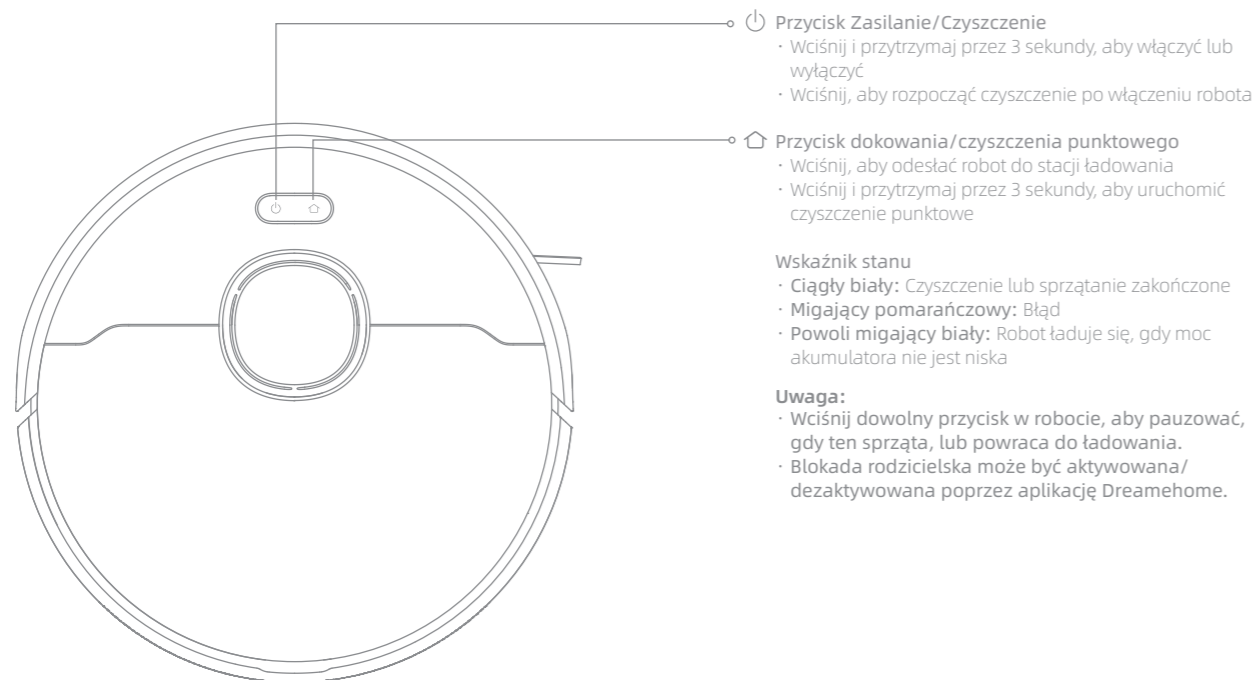


Podkładka mopa
(wstępnie zainstalowana)

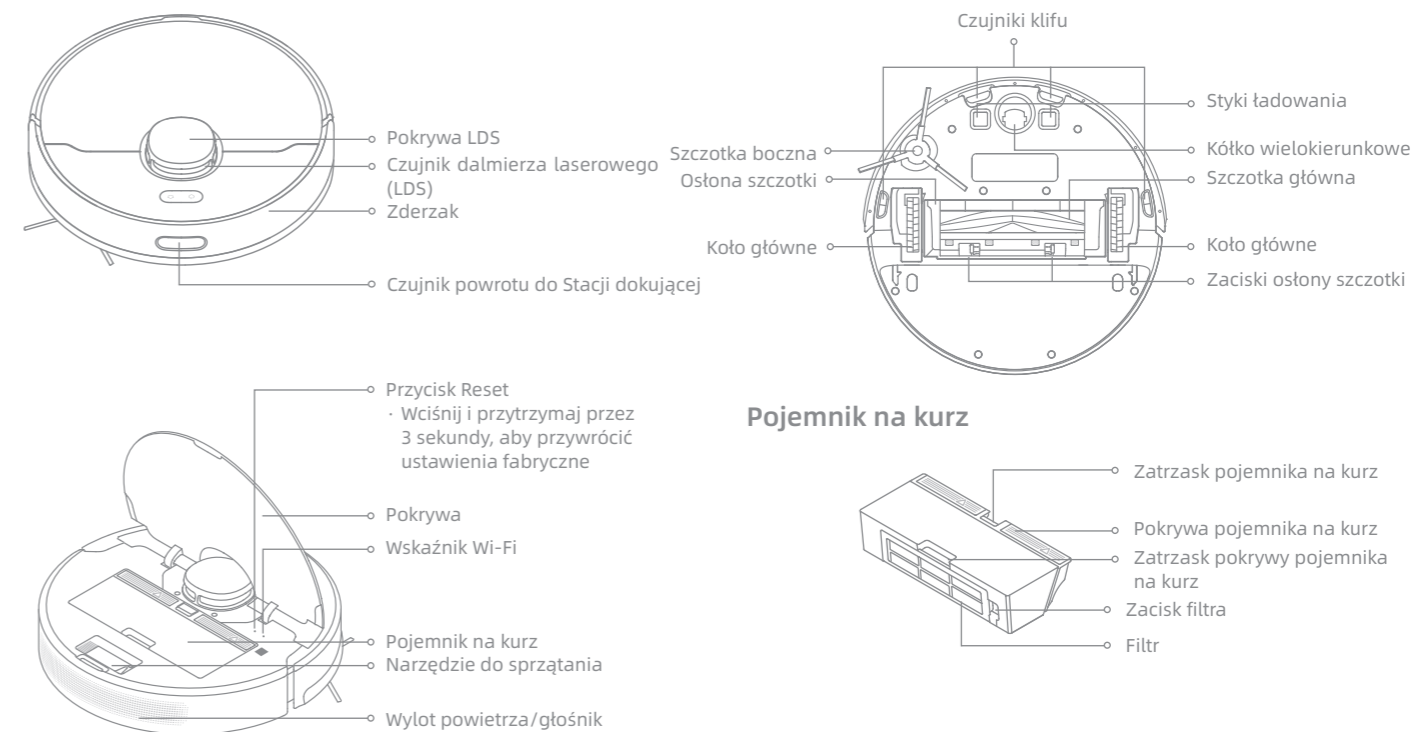


Podręcznik
użytkownika

Robot

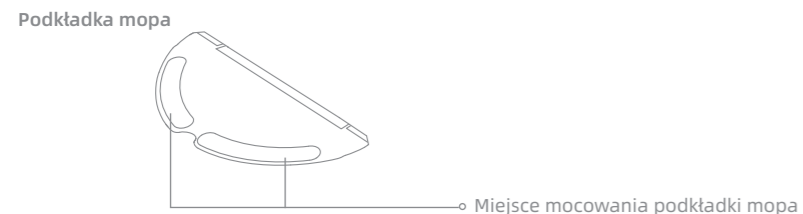
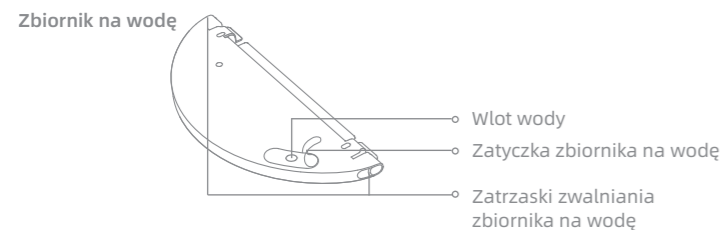


Robot i czujniki

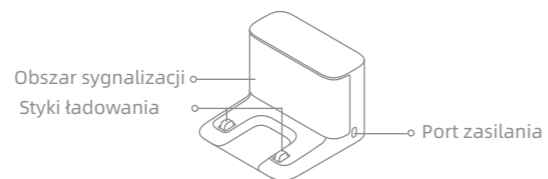


Przegląd urządzenia

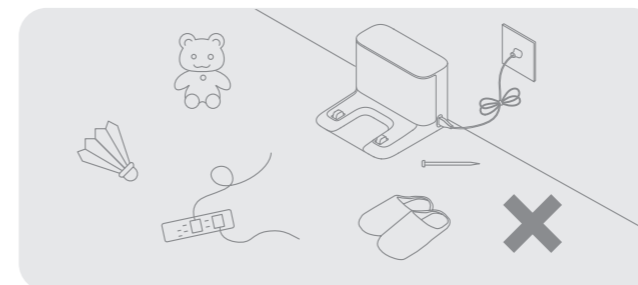
Moduł mopowania



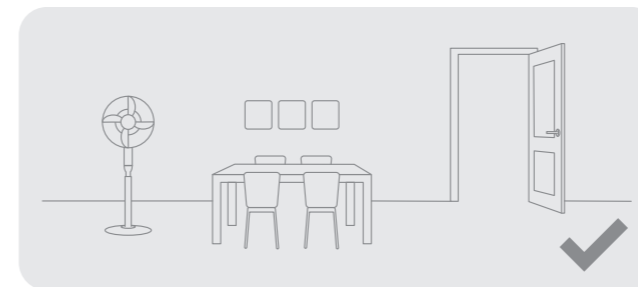
Stacja ładowania



Przygotowanie domu



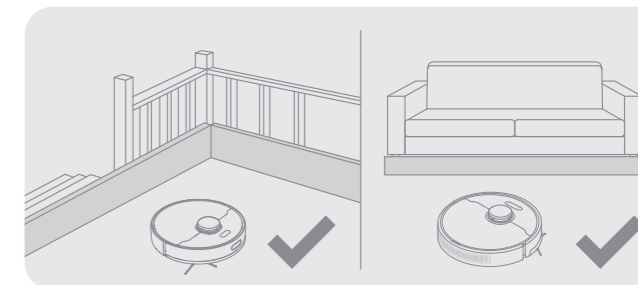
Przed czyszczeniem usuń z podłogi przedmioty niestabilne, kruche, cenne lub niebezpieczne, a kable, odzież, zabawki, przedmioty twarde i ostre uporządkuj, aby uniknąć zaplątania, porysowania lub uderzenia o robot i spowodowania strat.



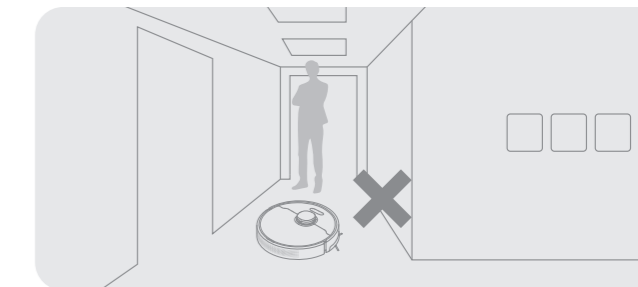
Otwórz drzwi pomieszczenia do sprzątania i ustaw meble we właściwym miejscu, aby zostawić więcej przestrzeni.

Uwaga:

- Uruchamiając robot po raz pierwszy śledź go wokół podczas sprzątania, aby na czas usuwać ewentualne przeszkody.
- Nie odkurzaj twardych przedmiotów, jak kamienie, kulki stalowe i części zabawek ani twardych przedmiotów, jak gruz, potłuczone szkło, gwoździe, w przeciwnym razie może dojść do porysowania podłogi.



Przed sprzątaniem ustaw barierę fizyczną na krawędzi schodów i sofy, aby zapewnić bezpieczne i bezproblemowe działanie robota.




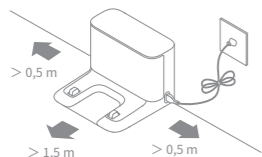
Aby uchronić robot przed nierozpoznanymi miejscami wymagającymi sprzątania, nie stawaj przed nim, ani nie stawiaj go przed progiem, korytarzem lub wąskimi miejscami.

Przed użyciem

1. Ustaw stację ładowania i podłącz do gniazdka elektrycznego

Ustaw stację ładowania na równym podłożu, przy ścianie. Włóż przewód ładowania do stacji ładowania i podłącz go do gniazdka.

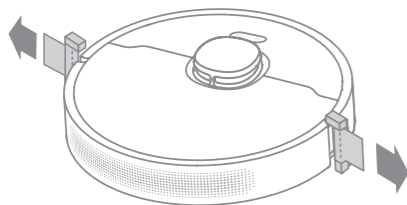
 Ustaw stację ładowania w miejscu maksymalnie otwartym, z dobrym sygnałem Wi-Fi.



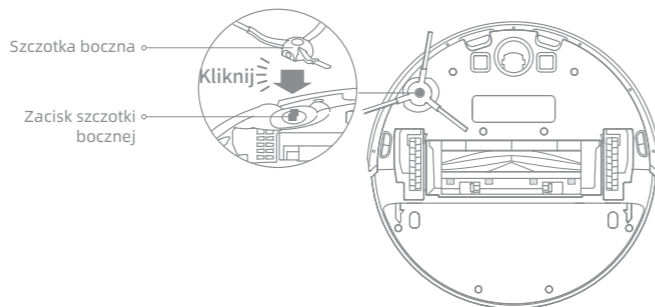
Uwaga:

- Usuń wszelkie przedmioty, które znajdują się 1,5 m przed podstawą oraz 0,5 m od każdego z boków stacji ładowania.
- Nie ustawiaj stacji ładowania w miejscach, gdzie bezpośrednio padają promienie słoneczne ani gdzie inne obiekty mogłyby blokować sygnał, gdyż to może robotowi utrudniać powrót do stacji ładowania.

2. Usuwanie zabezpieczeń



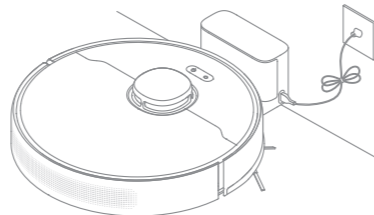
3. Zainstaluj szczotkę boczną



Uwaga: Zainstaluj szczotkę boczną, aż kliknie na właściwym miejscu.

4. Ładowanie robota

Umieszczając robot wyosiuj styki ładowania na jego dole ze stykami ładowania w stacji ładowania, robot automatycznie włączy się i zacznie się ładowanie.

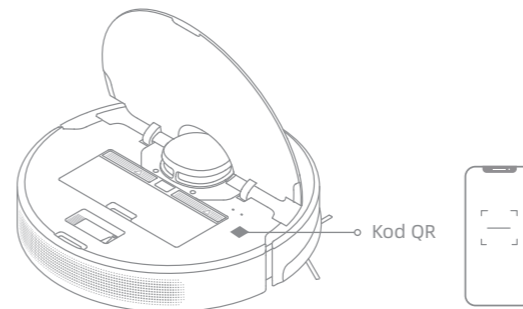


Uwaga: Zaleca się pełne naładowanie robota przed jego pierwszym użyciem.

Łączenie z aplikacją Dreamehome

1. Pobieranie aplikacji Dreamehome

Zeskanuj kod QR na robocie lub wyszukaj „Dreamehome” w sklepie aplikacji, aby ją pobrać i zainstalować.

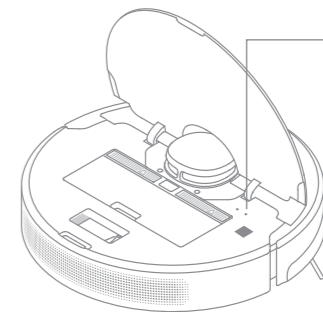


Uwaga:

- Obsługiwane tylko Wi-Fi 2,4 GHz.
- Ze względu na aktualizacje w oprogramowaniu aplikacyjnym faktyczne operacje mogą odbiegać od instrukcji w tym podręczniku. Stosuj się do instrukcji w oparciu o bieżącą wersję aplikacji.

2. Dodawanie urządzenia



Otwórz aplikację Dreamehome, puknij „+” w prawym górnym narożniku, zeskanuj ten sam kod QR na robocie ponownie, aby dodać urządzenie. Stosuj się do wyświetlanych instrukcji, aby ukończyć połączenie Wi-Fi.



- Wskaźnik Wi-Fi
- Miga powoli: Należy połączyć
- Miga szybko: Łączenie
- Wł.: Połączony

Uwaga: Jeżeli chcesz resetować Wi-Fi, powtórz krok 2 i następnie stosuj się do wyświetlanych instrukcji, aby ukończyć połączenie Wi-Fi.


Włączanie/wyłączanie

Wciśnij i przytrzymaj przez 3 sekundy przycisk , aby włączyć robot. Wskaźnik zasilania powinien być podświetlony. Umieść robot na stacji ładowania, powinien on włączyć się automatycznie i rozpocząć ładowanie. Aby wyłączyć robot, odsuń go od stacji dokującej, wciśnij przycisk  i przytrzymaj go przez 3 sekundy.

Szybkie mapowanie

Skonfigurowawszy sieć po raz pierwszy stosuj się do instrukcji w aplikacji, aby szybko utworzyć mapę. Robot rozpocznie mapowanie bez czyszczenia. Gdy robot powróci do stacji ładowania, proces mapowania jest zakończony a mapa zostanie automatycznie zapisana.

Start czyszczenia

Krótko wciśnij przycisk , aby rozpocząć czyszczenie po włączeniu robota. Następnie robot będzie dokładnie mapować trasę, metodycznie czyścić wzdłuż krawędzi i ścian, następnie zakończy sprzątając każde pomieszczeniem wzorem w kształcie S, aby zapewnić staranną pracę.

Uwaga: Zaleca się, by robot wyruszał ze stacji ładowania przed czyszczeniem. Nie poruszaj stacji ładowania, podczas gdy robot sprząta. Zapewnia to płynny powrót robota do stacji ładowania.

Paauza/uśpienie

Gdy robot pracuje, wciśnij dowolny przycisk, aby go spauzować.

Jeżeli robot nie pracuje dłużej niż 10 minut, automatycznie wchodzi w tryb uśpienia. Wszystkie wskaźniki w robocie wyłącza się. Wciśnij dowolny przycisk w robocie bądź użyj aplikacji, aby go obudzić.

Uwaga: Jeżeli robot jest spauzowany i umieszczony w stacji ładowania, bieżące zadanie czyszczenia zakończy się.

Auto-wznawianie czyszczenia

Jeżeli akumulator jest bliski rozładowania, robot automatycznie powróci do stacji ładowania w celu ładowania. Po doładowaniu do odpowiedniego poziomu robot wznowi niedokończone zadania czyszczenia.

Uwaga: Aby skorzystać z tej funkcji, otwórz ją w aplikacji.


Tryb Nie przeszkadzać (DND)

Gdy robot jest ustawiony na tryb Nie przeszkadzać (DND), nie dojdzie do wznowienia czyszczenia przez niego i lampka zasilania gaśnie. Tryb DND jest domyślnie dezaktywowany w fabryce. Możesz użyć aplikacji do aktywacji trybu DND lub zmodyfikować jego okres. Domyślnie okres DND wynosi 22:00-8:00.



Uwaga:

- Planowe zadania czyszczenia będą wykonywane jak zwykle podczas okresu DND.
- Robot wznowi sprzątanie, gdy został wyłączony po upływie okresu DND.

Czyszczenie punktowe

Gdy robot jest w trybie gotowości, krótko wciśnij przycisk  przez 3 sekundy w celu aktywowania trybu czyszczenia punktowego. W tym trybie robot czyści obszar kwadratowy 1,5 x 1,5 metra wokół i powraca do punktu początkowego, zakończywszy czyszczenie punktowe.

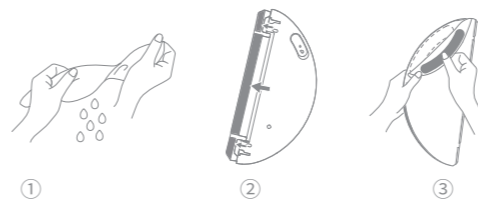
Ponowne uruchamianie robota

Jeżeli robot przestaje reagować lub nie może się wyłączyć, wciśnij przycisk  i przytrzymaj przez 10 sekund, aby wymusić wyłączenie się. Następnie wciśnij przycisk  i przytrzymaj przez 3 sekundy, aby włączyć robot.

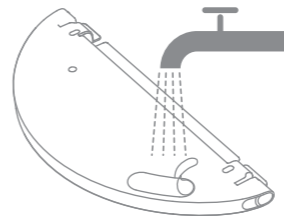
Użycie funkcji mopowania

Zaleca się, by wszystkie podłogi były odkurzone przynajmniej trzy razy przed pierwszą sesją mopowania, aby osiągnąć jak najlepszy efekt.

1. Nawilż nakładkę mopującą i wyciśnij nadmiar wody. Zainstaluj nakładkę, jak przedstawiono na schemacie.




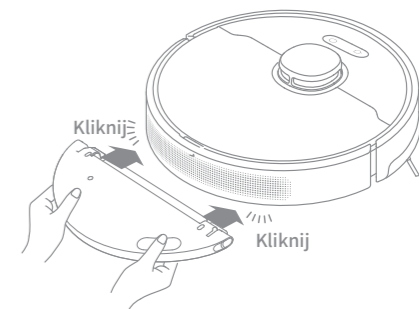
2. Napełnij zbiornik wodą.



Uwaga:

- Nie używaj detergentu ani środka dezynfekcyjnego.
- Nie napełniaj zbiornika gorącą wodą, gdyż to może powodować jego wypaczenie.

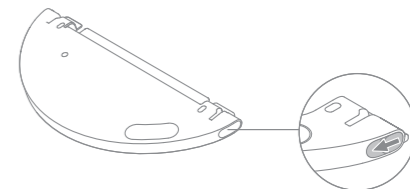
3. Wyosiuj moduł mopowania, jak wskazuje strzałka, następnie wsuń go w tył robota, aż kliknie na miejscu. Wciśnij przycisk  lub użyj aplikacji Dreamehome, aby rozpocząć czyszczenie.



Uwaga:

- Nie zaleca się używania funkcji mopowania na dywanach.
- Użyj aplikacji, aby wyregulować przepływ wody stosownie do potrzeby.

4. Gdy robot skończy zadanie czyszczenia i powróci do stacji ładowania, zdejmij moduł mopa i wypierz na czas jego nakładkę. Aby wyjąć zbiornik na wodę, odsuń dwa zatrzaski zwalniające na bok i wyjmij go.



Uwaga: Gdy robot ładuje się lub nie jest używany, wyjmij moduł mopujący, wylej resztę wody ze zbiornika i oczyść nakładkę, aby zapobiec pleśni i nieprzyjemnemu zapachowi.

Rutynowa konserwacja

Części

Aby utrzymać robot w dobrym stanie, zaleca się sprawdzanie użytkowania akcesoriów w aplikacji lub następującej tabeli w kwestii planowej konserwacji.

Część	Częstotliwość konserwacji	Okres wymiany
Podkładka mopa	Po każdym użyciu	Co 3 do 6 miesięcy
Szczotka główna	Raz na 2 tygodnie	Co 6 do 12 miesięcy
Filtr pojemnika na kurz		Co 3 do 6 miesięcy
Szczotka boczna	Raz na miesiąc	/
Pole sygnalizacyjne stacji ładowania		
Styki ładowania stacji ładowania		
Kółko wielokierunkowe		
Odległość laserowa Czujnik (LDS)		
Styki ładowania robota		

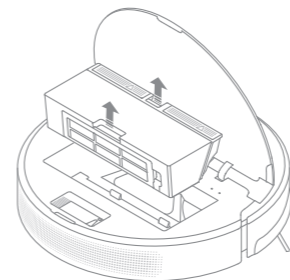
Część	Częstotliwość konserwacji	Okres wymiany
Zderzak	Raz na miesiąc	/
Dno robota		
Czujniki klifu		
Czujnik powrotu do Stacji dokującej	Czyść w miarę potrzeby	/
Zbiornik na wodę		
Pojemnik na kurz		

Uwaga: Częstotliwość wymiany zależy od użytkowania robota. W razie wystąpienia wyjątku ze względu na szczególne okoliczności, części należy wymienić.

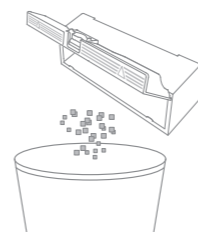
Rutynowa konserwacja

Pojemnik na kurz

1. Otwórz pokrywę robota i wciśnij zatrzask, aby zdjąć pojemnik na kurz.

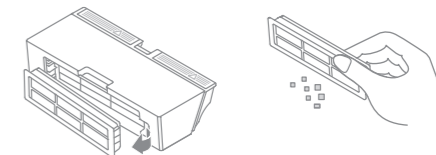


2. Otwórz pokrywę pojemnika na kurz i opróżnij go, jak przedstawiono na schemacie.



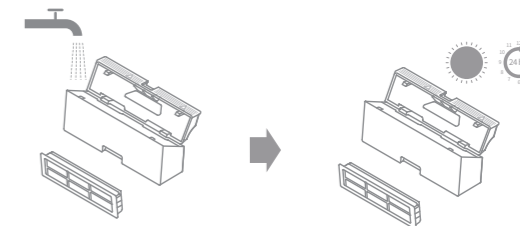
Filtr

1. Wyjmij filtr i delikatnie wytrzep jego koszyk.



Uwaga: Nie próbuj czyścić filtra szczotką, palcem ani ostrymi przedmiotami, aby uniknąć uszkodzenia.

2. Wypłucz wodą pojemnik na kurz i filtr, wysusz je całkowicie przed ponownym zainstalowaniem.



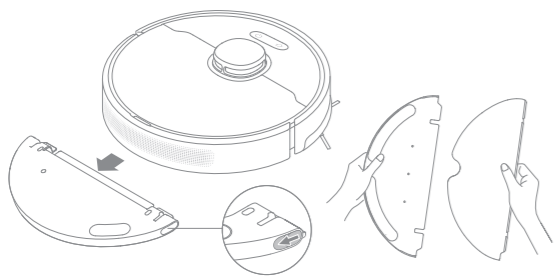
Uwaga:

- Pojemnik na kurz i filtr płucz tylko czystą wodą. Nie używaj detergentu.
- Pojemnik na kurz i filtr używaj dopiero po całkowitym wyschnięciu.

Rutynowa konserwacja

Moduł mopowania

1. Przesuń oba zatrzaski zwalniające na bok zbiornika na wodę, wyjmij moduł mopowania i wyciągnij z niego nakładkę mopującą.

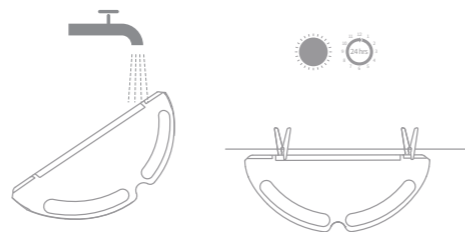


2. Wylej wodę ze zbiornika. Zbiornik należy czyścić wyłącznie wodą i pozostawić do wyschnięcia w powietrzu przed ponownym zainstalowaniem.



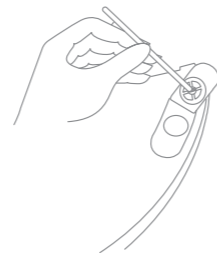
Uwaga: Nie wystawiaj zbiornika na wodę na bezpośrednie działanie słońca.

3. Myj nakładkę mopującą samą wodą i pozostaw do wyschnięcia w powietrzu przed ponownym zainstalowaniem.



Uwaga: Wyjmij nakładkę mopującą z modułu mopowania przed jej czyszczeniem, upewnij się, czy brudna woda nie przepływa wstecz do wylotu wody, aby uniknąć zatkania.

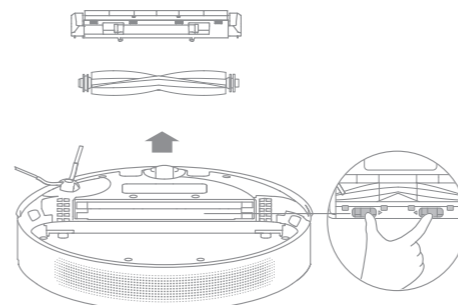
4. Jeżeli pojawia się słaby przepływ wody lub jej objętość nie jest poprawnie rozdzielana, oczyść otwór powietrzny w zbiorniku na wodę.



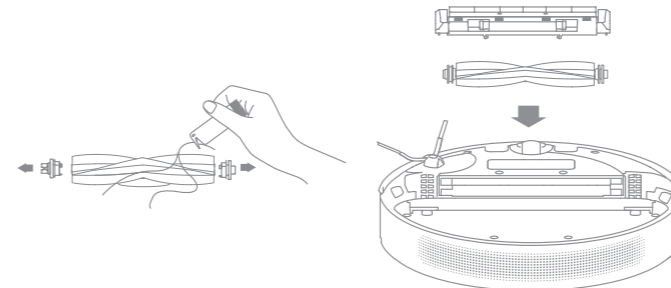
Rutynowa konserwacja

Szczotka główna

1. Wciśnij zatrzaski osłony szczotki do środka, aby wyjąć osłonę, wyjmij szczotkę z robota.

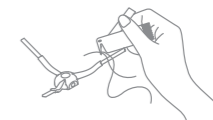


2. Wyciągnij pokrywy szczotki na obu jej końcach, jak przedstawiono na schemacie. Zastosuj dostarczone narzędzie, aby usunąć włosy wplątane w szczotkę. Ponownie załóż pokrywy szczotki na obu jej końcach, a następnie samą szczotkę. Wciśnij ochraniacz szczotki, aby ją zablokować na miejscu.

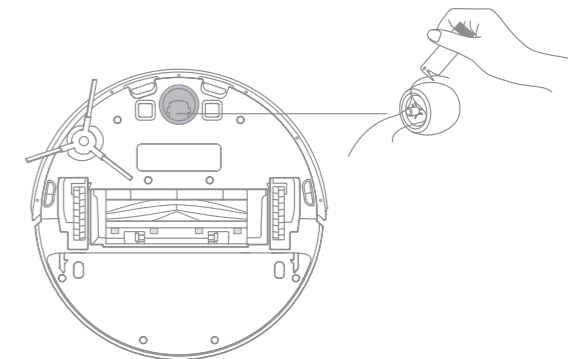


Szczotka boczna

Wyjmij i oczyść szczotkę boczną.



Kółko wielokierunkowe

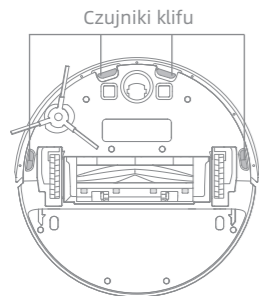
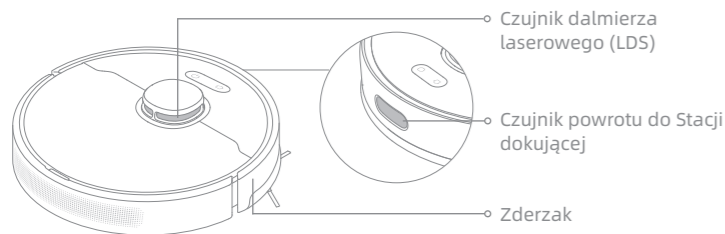


Uwaga:

- Narzędziem typu małego śrubokrętu oddziel oś od opony kółka wielokierunkowego. Nie wywieraj nadmiernej siły.
- Wypłucz kółko wielokierunkowe pod bieżącą wodą i załóż z powrotem po całkowitym wysuszeniu.

Czujniki robota

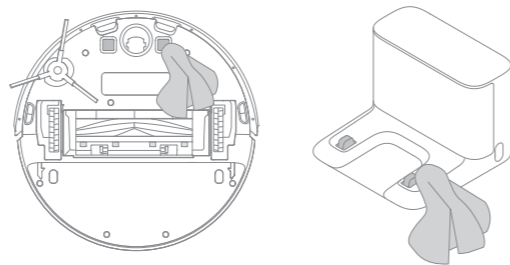
Czujniki robota wycieraj miękką i suchą ściereczką, jak przedstawiono na rysunku poniżej:



Wskazówka : Mokra ścierka może uszkodzić czułe elementy w robocie i w stacji ładowania. Do czyszczenia używaj suchej ściereczki.

Styki ładowania i pole sygnalizacyjne

Styki ładowania i pole sygnalizacyjne czyść miękką, suchą ściereczką.



Akumulator

Robot zawiera pakiet akumulatora litowo-jonowego o wysokich parametrach użytkowych. Dbaj o to, by akumulator był dobrze naładowany do codziennego użytku, aby zachować jego parametry użytkowe na optymalnym poziomie. Jeżeli robot nie jest używany przez dłuższy czas, wyłącz go i złóż. Aby uniknąć szkód wskutek nadmiernego rozładowania, robot należy doładowywać przynajmniej co trzy miesiące.

Problem	Rozwiązanie
Robot nie włącza się.	Akumulator jest rozładowany. Doładuj robot w stacji ładowania i spróbuj ponownie. Temperatura akumulatora jest za niska lub za wysoka. Zaleca się pracę urządzenia w temperaturach od 32 °F (0°C) do 104 °F (40°C).
Robot nie ładuje się.	Stacja ładowania nie otrzymuje prądu. Upewnij się, czy oba końce przewodu zasilającego są prawidłowo podłączone. Słaby kontakt. Wyczyść styki ładowania stacji ładowania i robota.
Robot nie wraca do stacji ładowania.	Wokół stacji ładowania znajduje się zbyt wiele przeszkód. Umieść stację ładowania w terenie bardziej otwartym. Proszę oczyścić obszar sygnalizacyjny stacji ładowania.
Robot działa nieprawidłowo.	Wyłącz robot, a następnie włącz go ponownie.
Robot wydaje dziwne dźwięki.	W szczotce głównej, szczotce bocznej lub jednym z kół głównych może zaplątać się obcy przedmiot. Zatrzymaj robot i usuń wszelkie zanieczyszczenia.
Robot nie czyści już skutecznie lub pozostawia kurz za sobą.	Pojemnik na kurz jest pełny. Należy go wyczyścić. Filtr jest zablokowany. Należy go wyczyścić. Obcy przedmiot zaplątał się w szczotkę główną. Należy go wyczyścić.

Problem	Rozwiązanie
Robot nie może połączyć się z Wi-Fi.	Coś jest nie tak z połączeniem Wi-Fi. Resetuj Wi-Fi i pobierz najnowszą wersję aplikacji Dreamehome, następnie spróbuj ponownego połączenia. Pozwolenie na lokalizację nie jest otwarte. Upewnij się, czy zezwolenie na lokalizację w aplikacji Dreamehome jest aktywowane. Sygnał Wi-Fi jest słaby. Upewnij się, czy robot jest w obszarze o dobrym zasięgu Wi-Fi. Wi-Fi 5 GHz nie jest obsługiwane. Upewnij się, czy Twój robot łączy się z Wi-Fi 2,4 GHz. Nazwa użytkownika lub hasło do Wi-Fi jest nieprawidłowe. Wpisz poprawną nazwę użytkownika i hasło.
Robot nie wykonuje zaplanowanego czyszczenia.	Niski poziom naładowania akumulatora robota. Zaplanowane czyszczenie nie rozpocznie się, jeśli w robocie nie pozostało co najmniej 15% akumulatora.
Czy pozostawienie robota w stacji ładowania zużywa energię, jeśli jest już w pełni naładowany?	Pozostawienie robota w stacji ładującej po jego całkowitym naładowaniu powoduje zużycie bardzo małej ilości energii elektrycznej i ułatwia konserwację.
Woda nie wypływa ze zbiornika lub tylko w niewielkiej ilości.	Sprawdź, czy woda jest w zbiorniku. Wyczyść nakładki mopujące, gdy staną się brudne. Upewnij się, czy nakładka mopa została prawidłowo zamontowana zgodnie z instrukcją obsługi. Oczyść otwór odpowietrzający w zatyczce zbiornika wodnego.
Robot nie wznawia sprzątania po naładowaniu.	Upewnij się, czy robot nie jest ustawiony w trybie „Nie przeszkadzać” (DND), co uniemożliwi mu wznowienie sprzątania. Robot nie wznawia czyszczenia po ręcznym naładowaniu lub umieszczeniu go na stacji ładowania.
Robot nie wraca do stacji ładowania po przeniesieniu.	Przesunięcie robota może spowodować zmianę jego pozycji lub zmianę mapy otoczenia. Jeżeli robot jest zbyt daleko od stacji ładowania, może nie być w stanie powrócić sam z siebie, w którym to przypadku konieczne jest jego ręczne umieszczenie w stacji ładowania.

W kwestii dalszej pomocy kontaktuj się z nami poprzez <https://global.dreameotech.com>

Robot

Model	RLD34GA
Czas ładowania	Okolo 6 godzin
Napięcie znamionowe	14,4 V \pm
Moc znamionowa	75 W
Częstotliwość pracy	2400-2483,5 MHz
Maksymalna moc wyjściowa	< 20 dBm

W normalnych warunkach eksploatacji ten sprzęt powinien być utrzymywany w odstępnie przynajmniej 20 cm między anteną i ciałem użytkownika.

Stacja adowania

Model	RCS0
Wejście znamionowe	100-240 V~ 50/60 Hz 0,5 A
Wyjście znamionowe	19,8 V \pm 1 A

Wbudowany akumulator litowo-jonowy zawiera substancję, które są niebezpieczne dla środowiska. Przed utylizacją, upewnij się, czy akumulator został wyjęty przez personel fachowy i poddany złomowaniu przez odpowiedni obiekt recyklingowy.

- akumulator musi być wyjęty z urządzenia przed złomowaniem;
- urządzenie musi być odłączone od zasilania sieciowego podczas wyjmowania akumulatora;
- akumulator należy utylizować w sposób bezpieczny.

OSTROŻNIE:

Przed wyjęciem akumulatora odłącz zasilanie i rozładuj akumulator, ile się da.

Niepotrzebne akumulatory należy likwidować w odpowiednim zakładzie recyklingowym.

Nie narażaj na środowisko wysokich temperatur, aby uniknąć ryzyka eksplozji.

W warunkach nadużycia ciecz może tryskać z akumulatora. W razie kontaktu płucać obficie wodą, wezwać pomoc medyczną

Instruktaż usuwania:

1. Odwróć robot, odpowiednim narzędziem wykręć śruby z tyłu robota i zdejmij pokrywę.
2. Odłącz zaciski między akumulatorem i płytką drukowaną, aby wyjąć ten pierwszy.

Ochrona środowiska



Zużyty sprzęt elektroniczny oznakowany zgodnie z dyrektywą Unii Europejskiej, nie może być umieszczany łącznie z innymi odpadami komunalnymi. Podlega on selektywnej zbiórce i recyklingowi w wyznaczonych punktach. Zapewniając jego prawidłowe usuwanie, zapobiegasz potencjalnym, negatywnym konsekwencjom dla środowiska naturalnego i zdrowia ludzkiego. System zbierania zużytego sprzętu zgodny jest z lokalnie obowiązującymi przepisami ochrony środowiska dotyczącymi usuwania odpadów. Szczegółowe informacje na ten temat można uzyskać w urzędzie miejskim, zakładzie oczyszczania lub sklepie, w którym produkt został zakupiony.



Produkt spełnia wymagania dyrektyw tzw. Nowego Podejścia Unii Europejskiej (UE), dotyczących zagadnień związanych z bezpieczeństwem użytkownika, ochroną zdrowia i ochroną środowiska, określających zagrożenia, które powinny zostać wykryte i wyeliminowane.

Niniejszy dokument jest tłumaczeniem oryginalnej instrukcji obsługi, stworzonej przez producenta.

Produkt należy regularnie konserwować (czyścić) we własnym zakresie lub przez wyspecjalizowane punkty serwisowe na koszt i w zakresie użytkownika. W przypadku braku informacji o koniecznych akcjach konserwacyjnych cyklicznych lub serwisowych w instrukcji obsługi, należy regularnie, minimum raz na tydzień oceniać odmienność stanu fizycznego produktu od fizycznie nowego produktu. W przypadku wykrycia lub stwierdzenia jakiegokolwiek odmienności należy pilnie podjąć kroki konserwacyjne (czyszczenie) lub serwisowe. Brak poprawnej konserwacji (czyszczenia) i reakcji w chwili wykrycia stanu odmienności może doprowadzić do trwałego uszkodzenia produktu. Gwarant nie ponosi odpowiedzialności za uszkodzenia wynikające z zaniedbania.

Szczegółowe informacje o warunkach gwarancji dystrybutora / producenta dostępne na stronie internetowej <https://serwis.innpro.pl/gwarancja>

Akumulator LI-ION

Urządzenie wyposażone jest w akumulator LI ION (litowo-jonowy), który z uwagi na swoją fizyczną i chemiczną budowę starzeje się z biegiem czasu i użytkowania. Producent określa maksymalny czas pracy urządzenia w warunkach laboratoryjnych, gdzie występują optymalne warunki pracy dla urządzenia, a sam akumulator jest nowy i w pełni naładowany. Czas pracy w rzeczywistości może się różnić od deklarowanego w ofercie i nie jest to wada urządzenia a cecha produktu. Aby zachować maksymalną żywotność akumulatora, nie zaleca się go rozładowywać do poziomu poniżej 3,18V lub 15% ogólnej pojemności. Niższe wartości, jak np. 2,5V dla ogniwa uszkadzają je trwale i nie jest to objęte gwarancją. W przypadku zaniechania używania akumulatora lub całego urządzenia przez czas dłuższy niż jeden miesiąc należy akumulator naładować do 50% i sprawdzać cyklicznie co dwa miesiące poziom jego naładowania. Przechowuj akumulator i urządzenie w miejscu suchym, z dala od słońca i ujemnych temperatur.

Akumulator LIPO

Urządzenie wyposażone jest w akumulator LI PO (litowo-polimerowy), który z uwagi na swoją fizyczną i chemiczną budowę starzeje się z biegiem czasu i użytkowania. Producent określa maksymalny czas pracy urządzenia w warunkach laboratoryjnych, gdzie występują optymalne warunki pracy dla urządzenia, a sam akumulator jest nowy i w pełni naładowany. Czas pracy w rzeczywistości może się różnić od deklarowanego w ofercie i nie jest to wada urządzenia a cecha produktu. Aby zachować maksymalną żywotność akumulatora, nie zaleca się go rozładowywać do poziomu poniżej 3,5V lub 5% ogólnej pojemności. Niższe wartości, jak np 3,2V dla ogniwa uszkadzają je trwale i nie jest to objęte gwarancją. W przypadku zaniechania używania akumulatora lub całego urządzenia przez czas dłuższy niż jeden miesiąc należy akumulator naładować do 50% i sprawdzać cyklicznie co dwa miesiące poziom jego naładowania. Przechowuj akumulator i urządzenie w miejscu suchym, z dala od słońca i ujemnych temperatur.

akumulatora lub całego urządzenia przez czas dłuższy niż jeden miesiąc należy akumulator naładować do 50% i sprawdzać cyklicznie co dwa miesiące poziom jego naładowania. Przechowuj akumulator i urządzenie w miejscu suchym, z dala od słońca i ujemnych temperatur.

Veiligheidsinformatie

Om elektrische schokken, brand of letsel door verkeerd gebruik van het toestel te voorkomen, dient u de gebruikershandleiding zorgvuldig te lezen voordat u het toestel gebruikt en te bewaren voor toekomstig gebruik.

- Gebruiksbeperkingen**
- Dit product mag niet zonder toezicht van een ouder of voogd worden gebruikt door kinderen jonger dan 8 jaar of personen met fysieke, zintuiglijke of geestelijke tekortkomingen of met beperkte ervaring of kennis, om een veilige bediening te waarborgen en risico's te vermijden. Schoonmaken en onderhoud mag niet door kinderen zonder toezicht worden uitgevoerd.
 - Kinderen mogen niet met dit product spelen. Zorg ervoor dat kinderen en huisdieren terwijl de robot in werking is op veilige afstand blijven.
 - Dit product is uitsluitend bestemd voor vloerreiniging in een huishoudelijke omgeving. Gebruik het niet buitenshuis, op niet-vloeroppervlakken of in een commerciële of industriële omgeving.
 - Als het netsnoer beschadigd of stuk is, stop dan onmiddellijk met het gebruik ervan en neem contact op met de klantenservice.
 - Gebruik de robot niet in een zone die zich boven het maaiveld bevindt zonder een veiligheidsbarrière.
 - Plaats de robot niet ondersteboven. Gebruik de LDS-afdekking, afdekking van de robot of stootrand niet als handgreep voor de robot.
 - Gebruik de robotstofzuiger in omgevingen met een omgevingstemperatuur boven 0 °C en onder 40 °C. Zorg ervoor dat er geen vloeibare of kleverige substantie op de vloer ligt.
 - Haal alle kabels van de vloer voordat u de robot gebruikt, om te voorkomen dat deze tijdens het schoonmaken worden meesleept.
 - Verwijder breekbare of kleine voorwerpen van de vloer om te voorkomen dat de robot er tegenaan stoot en ze beschadigt.

Veiligheidsinformatie

Gebruiksbeperkingen

- Om schade of letsel door slepen te voorkomen, verwijdert u losse voorwerpen van de vloer en verwijdert u kabels of netsnoeren op het reinigingspad voordat u het toestel gebruikt.
- Houd haar, vingers en andere lichaamsdelen uit de buurt van de zuigopening van de robot.
- Houd het schoonmaakgereedschap voor de borstel buiten bereik van kinderen.
- Plaats geen kinderen, huisdieren of andere voorwerpen bovenop de robot, ongeacht of deze stilstaat of beweegt.
- Gebruik de robot niet om brandende voorwerpen te reinigen. Gebruik de robot niet om ontvlambare of brandbare vloeistoffen, corrosieve gassen, onverdunde zuren of oplosmiddelen op te nemen.
- Zuig geen harde of scherpe voorwerpen op. Gebruik het toestel niet om voorwerpen op te rapen zoals stenen, grote stukken papier of andere voorwerpen die het toestel kunnen verstoppert.
- Zorg ervoor dat de robot is uitgeschakeld en het oplaadstation is losgekoppeld voordat u de robot reinigt of onderhoudswerkzaamheden uitvoert.
- Gebruik geen natte doek of vloeistof om de robot en het oplaadstation af te spoelen. Afwasbare onderdelen moeten volledig gedroogd zijn alvorens deze te installeren en te gebruiken.
- Zorg ervoor dat de robot tijdens het vervoer is uitgeschakeld en indien mogelijk in de originele verpakking wordt bewaard.
- Gebruik dit product volgens de instructies in de gebruikershandleiding. Gebruikers zijn verantwoordelijk voor verlies of schade als gevolg van onjuist gebruik van dit product.

Veiligheidsinformatie

Batterijen en opladen

- Gebruik geen batterij, netsnoer of oplaadstation van derden. Gebruik uitsluitend met de RCS0-voedingseenheid.
- Probeer de batterij of het oplaadstation niet zelf te demonteren, te repareren of aan te passen.
- Plaats het oplaadstation niet in de buurt van een warmtebron.
- Gebruik geen natte doek of natte handen om de oplaadcontacten van het oplaadstation af te vegen of schoon te maken.
- Gooi oude batterijen niet op ongepaste wijze weg. Oude batterijen moeten worden ingeleverd bij een geschikt recyclingbedrijf.
- Als de robot voor langere tijd niet wordt gebruikt, laad deze dan volledig op, schakel het uit en bewaar het op een koele, droge plaats. Laad de robot minstens elke 3 maanden op om overontlading van de batterij te voorkomen.
- Dit product bevat batterijen die alleen kunnen worden vervangen door gekwalificeerde technici of de klantenservice.

Informatie over laserveiligheid

- De lasersensor in dit product voldoet aan de IEC 60825-1:2014/EN 60825-1:2014/A11:2021 norm voor klasse 1 laserproducten. Vermijd direct oogcontact tijdens het gebruik.

KLASSE 1 LASERPRODUCT

LASERPRODUCT VOOR CONSUMENTEN

EN 50689:2021

Veiligheidsinformatie



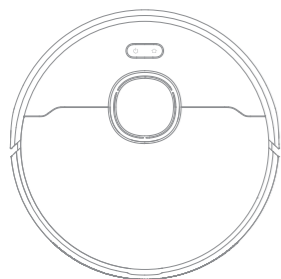
Alleen voor gebruik binnenshuis



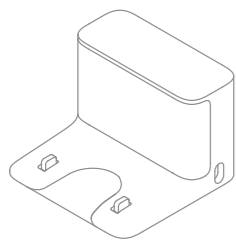
Lees de gebruikershandleiding

Hierbij verklaart Dreame Trading (Tianjin) Co., Ltd. dat de radioapparatuur van het type RLD34GA in overeenstemming is met Richtlijn 2014/53/EU. De volledige tekst van de EU-conformiteitsverklaring is beschikbaar op het volgende internetadres: <https://global.dreametech.com>
Ga voor een gedetailleerde elektronische handleiding naar <https://global.dreametech.com/pages/user-manuals-and-faqs>

Inhoud van de verpakking



Robot



Oplaadstation

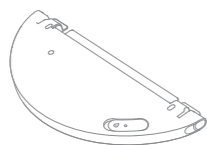
Andere accessoires



Zijborstel



Netsnoer

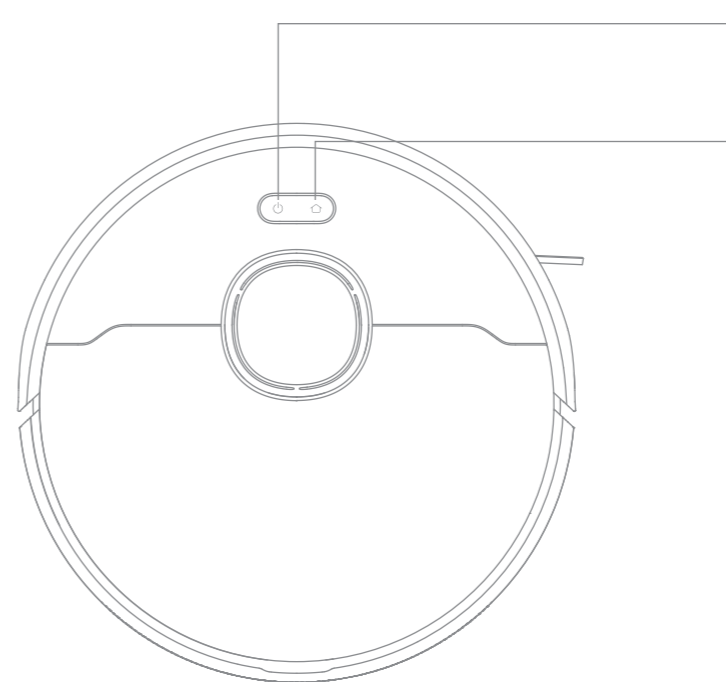
Schoonmaakgereedschap
(voorgeïnstalleerd)

Watertank

Dweilpad
(voorgeïnstalleerd)

Gebruikershandleiding

Robot



-  **Aan/Uit/Reinigen-knop**
 - Houd 3 seconden ingedrukt om in of uit te schakelen
 - Druk hierop om het reinigen te starten nadat de robot is ingeschakeld
-  **Dock-/Spotreinigingsknop**
 - Druk om de robot terug te sturen naar het oplaadstation
 - Houd 3 seconden ingedrukt om spotreiniging te starten

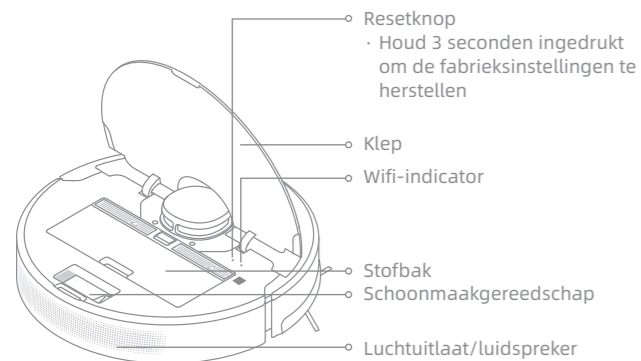
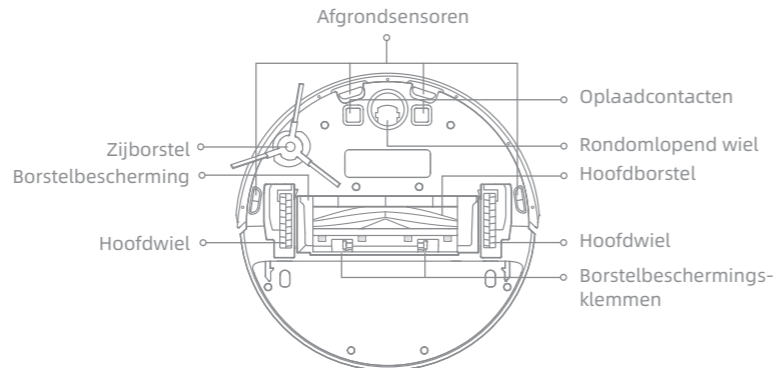
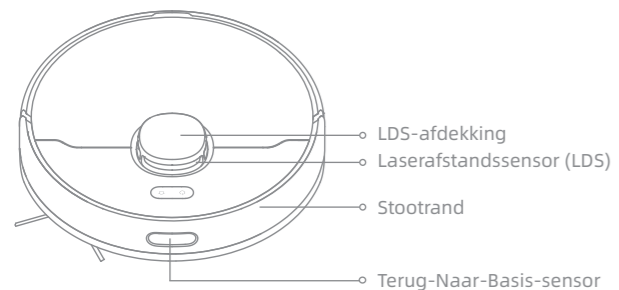
Statusindicator

- **Continu wit:** Reinigen of opruimen is voltooid
- **Knippert oranje:** Fout
- **Ademend wit:** Robot laadt op wanneer de batterij niet bijna leeg is

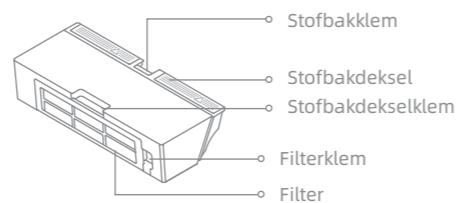
Opmerking:

- Druk op een willekeurige knop van de robot om te pauzeren terwijl de robot aan het reinigen is of terugkeert om op te laden.
- Het kinderslot kan worden ingeschakeld/uitgeschakeld via de Dreamehome-app.

Robot en sensoren

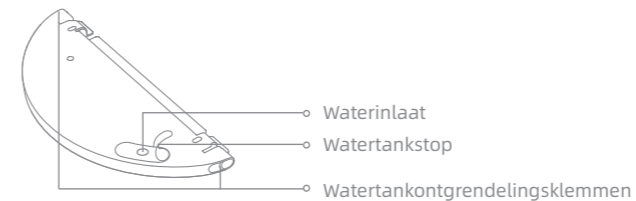


Stofbak



Dweilmodule

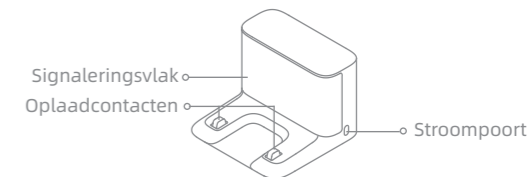
Watertank

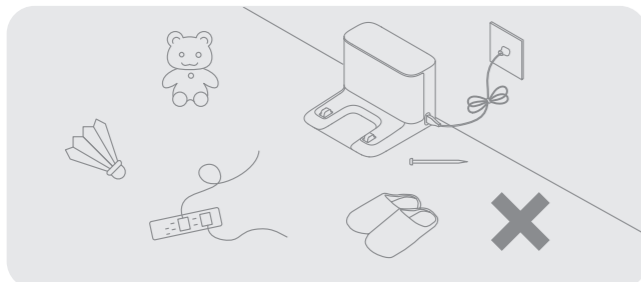


Dweilpad

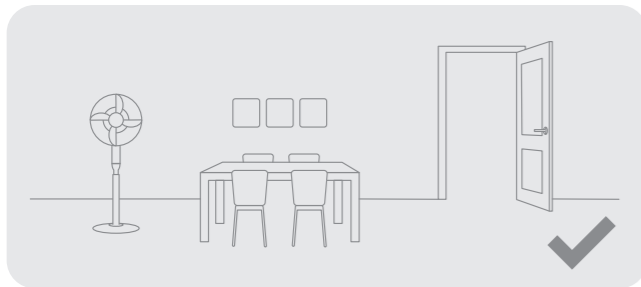


Oplaadstation





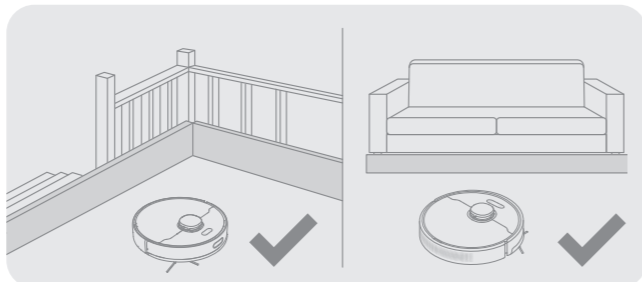
Verwijder vóór het reinigen onstabiele, breekbare, waardevolle of gevaarlijke voorwerpen en ruim kabels, doeken, speelgoed, harde voorwerpen en scherpe voorwerpen op de vloer op om te voorkomen dat deze verstrikt raken, gekrast of omgestoten worden door de robot en schade veroorzaken.



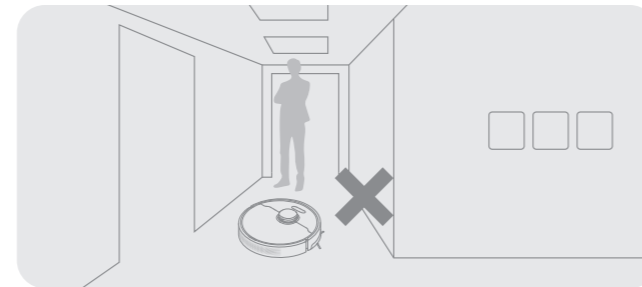
Open de deur van de kamer die moet worden gereinigd, en zet het meubilair op de juiste plaats om meer ruimte over te laten.

Opmerking:

- Wanneer u de robot voor de eerste keer bedient, volg deze dan tijdens het reinigen om eventuele obstakels tijdig te verwijderen.
- Zuig geen harde voorwerpen op zoals stenen, stalen kogels en speelgoedonderdelen, of scherpe voorwerpen zoals bouwafval, gebroken glas en spijkers, anders kunnen de grond krassen oplopen.



Plaats vóór het reinigen een fysieke barrière bij de rand van de trap en de bank, zodat de robot veilig en soepel kan werken.



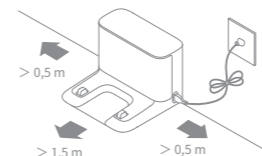
U mag niet vóór de robot, op een drempel, in een gang of op nauwe plaatsen staan om te voorkomen dat de robot zones die gereinigd moeten worden niet herkent.

Vóór gebruik

1. Plaats het oplaadstation en sluit het aan op een stopcontact

Plaats het oplaadstation op een vlakke ondergrond tegen de muur. Steek het netsnoer in het oplaadstation en steek de stekker in het stopcontact.

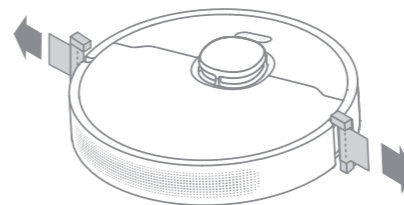
 Plaats het oplaadstation op een zo open mogelijke locatie met een goed wifi-sigitaal.



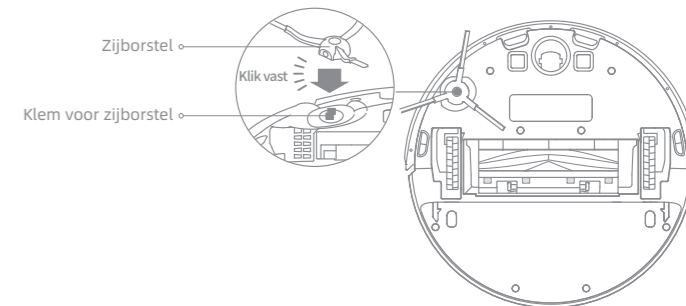
Opmerking:

- Verwijder voorwerpen die zich dichterbij dan 1,5 m aan de voorkant en 0,5 m aan weerszijden van het oplaadstation bevinden.
- Plaats het oplaadstation niet op een plek met direct zonlicht of waar andere voorwerpen het signaal kunnen blokkeren, omdat dit de terugkeer van de robot naar het oplaadstation kan belemmeren.

2. De beschermingen verwijderen



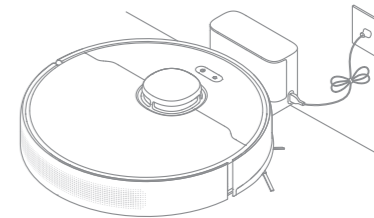
3. De zijborstel installeren



Opmerking: Installeer de zijborstel totdat deze op zijn plaats vastklikt.

4. De robot opladen

Lijn bij het plaatsen van de robot de oplaadcontacten aan de onderkant van de robot uit met de oplaadcontacten van het oplaadstation, waarna de robot automatisch wordt ingeschakeld en begint op te laden.

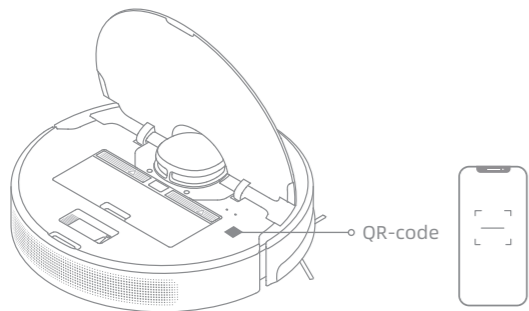


Opmerking: Het wordt aanbevolen de robot volledig op te laden vóór het eerste gebruik.

Verbinding maken met de Dreamehome-app

1. Download de Dreamehome-app

Scan de QR-code op de robot, of zoek "Dreamehome" in de app-store om de app te downloaden en te installeren.

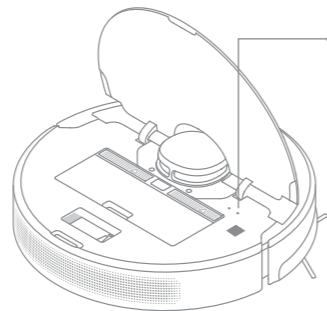


Opmerking:

- Alleen 2,4 GHz wifi wordt ondersteund.
- Als gevolg van upgrades in de app-software kunnen de daadwerkelijke handelingen afwijken van de aanwijzingen in deze handleiding. Volg de instructies op basis van de huidige app-versie.

2. Apparaat toevoegen

Open de Dreamehome-app, tik op "+" in de rechterbovenhoek en scan dezelfde QR-code op de robot opnieuw om het apparaat toe te voegen. Volg de aanwijzingen om de wifi-verbinding te voltooien.





Wifi-indicator

- **Langzaam knipperend:** Wordt verbonden
- **Snel knipperend:** bezig met verbinden
- **Aan:** Verbonden

Opmerking: Als u de wifi wilt resetten, herhaalt u stap 2 en volgt u de aanwijzingen om de wifi-verbinding te voltooien.

Hoe te gebruiken

Aan-/uitzetten

Houd de knop  3 seconden ingedrukt om de robot in te schakelen. De stroomindicator moet branden. Plaats de robot op het oplaadstation, de robot zou automatisch moeten inschakelen en beginnen met opladen. Om de robot uit te schakelen, beweegt u de robot weg van het oplaadstation en houdt u de knop  3 seconden ingedrukt.

Snel in kaart brengen

Nadat u het netwerk voor de eerste keer hebt geconfigureerd, volgt u de instructies in de app om snel een kaart aan te maken. De robot zal beginnen met het in kaart brengen zonder reiniging. Wanneer de robot terugkeert naar het oplaadstation, is het proces voor het in kaart brengen voltooid en wordt de kaart automatisch opgeslagen.

Begin met reinigen

Druk op de knop  om te beginnen met reinigen nadat de robot is ingeschakeld. Vervolgens zal de robot nauwkeurig een route uitstippelen, methodisch langs de randen en muren reinigen, en vervolgens elke kamer reinigen in een S-vormig patroon om grondig werk te garanderen.

Opmerking: Het wordt aanbevolen om de robot vanaf het oplaadstation te laten vertrekken alvorens te reinigen. Verplaats het oplaadstation niet terwijl de robot aan het reinigen is. Dit zorgt ervoor dat de robot probleemloos terugkeert naar het oplaadstation.

Pauze/slapen

Als de robot aan het werk is drukt u op deze knop om deze te pauzeren.

Als de robot langer dan 10 minuten is gepauzeerd, gaat deze automatisch naar de slaapmodus. Alle indicatoren op de robot zullen uitgaan. Druk op een willekeurige knop op de robot of gebruik de app om de robot te ontwaken.

Opmerking: Als de robot wordt gepauzeerd en op het oplaadstation wordt geplaatst, wordt de huidige reinigingstaak beëindigd.

Automatisch reinigen hervatten

Als de batterij te zwak is, keert de robot automatisch terug naar het oplaadstation om op te laden. Na het opladen tot het juiste batterijniveau zal deze onafgemaakte reinigingstaken hervatten.

Opmerking: Open deze functie in de app om te kunnen gebruiken.


Niet-storen-modus (DND)

Wanneer de robot in de Niet-Storen-modus (Do Not Disturb, DND) wordt gezet, kan de robot de reiniging niet hervatten en zal de stroomindicator uitgaan. De DND-modus wordt in de fabriek standaard uitgeschakeld. U kunt de app gebruiken om de DND-modus in te schakelen of de DND-periode ervan aan te passen. De DND-periode is standaard ingesteld op 22:00-08:00.

Opmerking:

- De geplande reinigingstaken worden tijdens de DND-periode gewoon uitgevoerd.
- De robot zal na het verstrijken van de DND-periode het reinigen hervatten waar deze de vorige keer gestopt is.

Spotreiniging

Wanneer de robot stand-by staat, houdt u de knop  3 seconden ingedrukt om de spotreinigingsmodus in te schakelen. In deze modus reinigt de robot een vierkant gebied van 1,5 x 1,5 meter rondom en keert deze terug naar zijn beginpunt zodra de spotreiniging is voltooid.

De robot herstarten

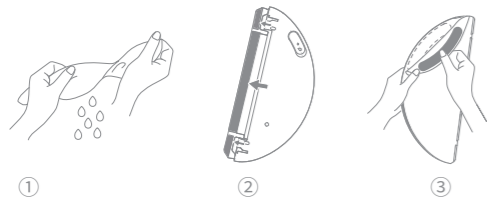
Als de robot niet meer reageert of niet kan worden uitgezet, houdt u de knop  10 seconden ingedrukt om het uitschakelen te forceren. Houd vervolgens de knop  3 seconden ingedrukt om de robot in te schakelen.

Hoe te gebruiken

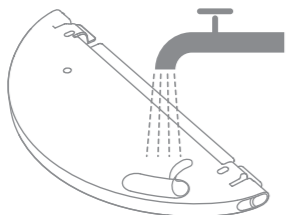
De dweilfunctie gebruiken

Vóór de eerste dweilbeurt wordt aanbevolen om alle vloeren ten minste drie keer te stofzuigen, zodat een beter reinigingseffect wordt bereikt.

1. Maak de dweilpad vochtig en wring het overtollige water eruit. Installeer de dweilpad zoals aangegeven in het diagram.



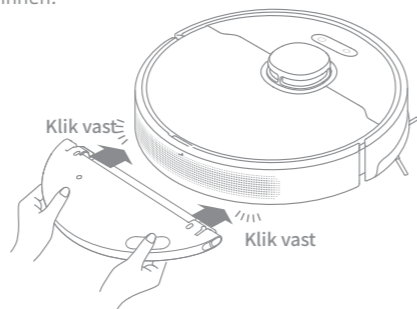
2. Vul de tank met water.



Opmerking:

- Gebruik geen reinigingsmiddel of ontsmettingsmiddel.
- Vul de watertank niet met heet water, want dan kan de watertank vervormen.

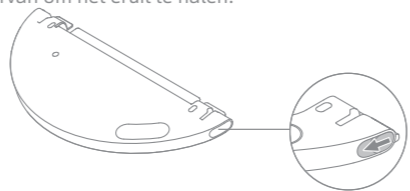
3. Richt de dweilmodule uit zoals door de pijl wordt aangegeven en schuif deze vervolgens in de achterkant van de robot totdat het op zijn plaats vastklikt. Druk op de knop  of gebruik de Dreamhome-app om met het reinigen te beginnen.



Opmerking:

- wordt niet aanbevolen om de dweilfunctie op tapijten te gebruiken.
- Gebruik de app om de waterstroom naar wens aan te passen.

4. Wanneer de robot klaar is met een reinigingstaak en terugkeert naar het oplaadstation, verwijdert u de dweilmodule en wast u de dweilpad tijdig. Om de watertanke te verwijderen, schuift u de twee ontgrendelingsklemmen aan de zijkant ervan om het eruit te halen.



Opmerking: Wanneer de robot wordt opgeladen of niet wordt gebruikt, verwijdert u de dweilmodule, giet u al het resterende water uit de watertank en reinigt u de dweilpads om schimmel of onaangename geuren te voorkomen.

Routinematig onderhoud

Onderdelen

Het is raadzaam om het gebruik van accessoires in de app of de volgende tabel te raadplegen voor routinematig onderhoud om de robot in goede staat te houden.

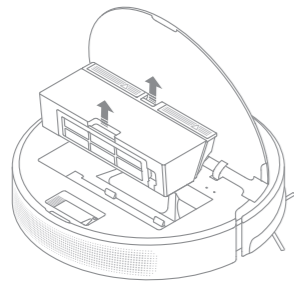
Onderdeel	Onderhouds-frequentie	Vervangingsperiode
Dweilpad	Na elk gebruik	Elke 3 tot 6 maanden
Hoofdborstel	Eens per 2 weken	Elke 6 tot 12 maanden
Filter van stofbak		Elke 3 tot 6 maanden
Zijborstel	Eens per maand	/
Signaleringsvlak van het oplaadstation		
Oplaadcontacten van het oplaadstation		
Rondlopend wiel		
Laserafstandssensor (LDS)		
Oplaadcontacten van robot		

Onderdeel	Onderhouds-frequentie	Vervangingsperiode
Stootrand	Eens per maand	/
Onderkant van de robot		
Afgrondsensoren		
Terug-Naar-Basis-sensor	Reinig het indien nodig	/
Watertank		
Stofbak		

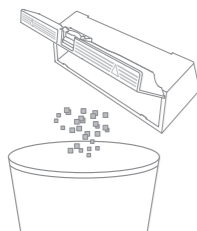
Opmerking: De vervangingsfrequentie hangt af van uw gebruik van de robot. Indien er door bijzondere omstandigheden een uitzondering optreedt, moeten de onderdelen worden vervangen.

Stofbak

1. Open de klep van de robot en druk op de klem van de stofbak om deze te verwijderen.

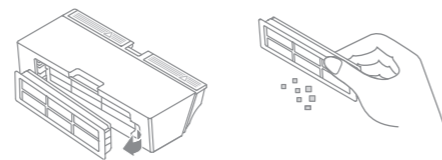


2. Open het deksel van de stofbak en maak de stofbak leeg zoals aangegeven in het schema.



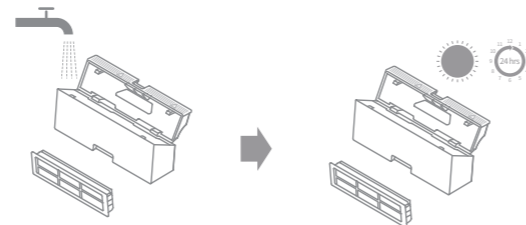
Filter

1. Verwijder het filter en tik zachtjes op het korfje.



Opmerking: Probeer het filter niet te reinigen met een borstel, vinger of scherp voorwerp om schade te voorkomen.

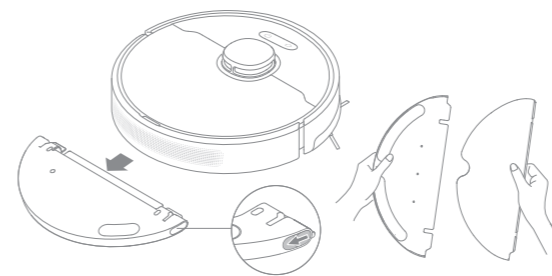
2. Spoel de stofbak en het filter af met schoon water en droog ze volledig af alvorens ze opnieuw te installeren.

**Opmerking:**

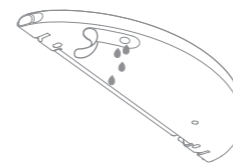
- Spoel de stofbak en het filter alleen met schoon water. Gebruik geen schoonmaakmiddel.
- Gebruik de stofbak en het filter alleen als ze volledig droog zijn.

Dweilmodule

1. Schuif de twee ontgrendelingsklemmen aan de zijkant van de watertank, verwijder de dweilmodule en trek de dweilpad van de dweilmodule.

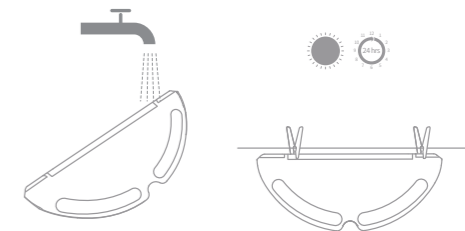


2. Giet het water uit de tank. Maak de tank alleen schoon met water en laat deze aan de lucht drogen voordat u deze terugplaatst.



Opmerking: Stel de watertank niet rechtstreeks bloot aan zonlicht.

3. Reinig de dweilpad alleen met water en laat deze aan de lucht drogen voordat u deze terugplaatst.



Opmerking: Verwijder de dweilpad van de dweilmodule voordat u deze schoonmaakt, en zorg ervoor dat het vuile water niet in de wateruitlaat terugstroomt om verstopping te voorkomen.

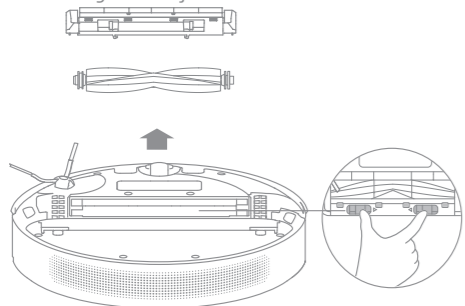
4. Als het water langzaam stroomt of het watervolume niet goed verdeeld is, maak dan het luchtgat in het deksel van de watertank schoon.



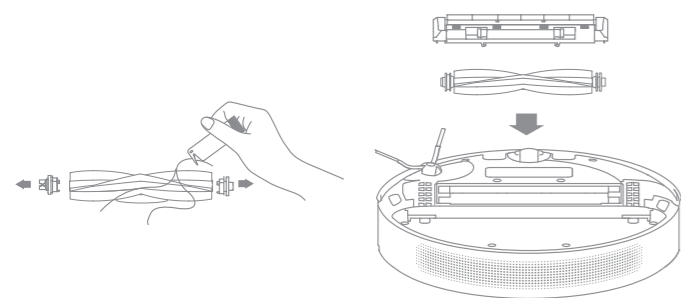
Routinematig onderhoud

Hoofdborstel

1. Druk de klemmen van de borstelbescherming naar binnen om de borstelbescherming te verwijderen en til de borstel uit de robot.



2. Trek de borstelbeschermingen aan beide uiteinden van de borstel naar buiten, zoals op het diagram te zien is. Gebruik het bijgeleverde schoonmaakgereedschap om haren die in de borstel verstrikt zitten te verwijderen. Plaats de borstelbeschermingen terug aan beide uiteinden van de borstel en plaats de borstel vervolgens terug. Druk op de borstelbescherming om deze op zijn plaats te vergrendelen.

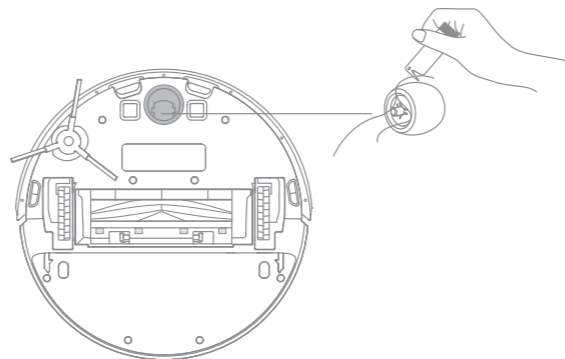


Zijborstel

Verwijder en maak de zijborstel schoon.



Rondomlopend wiel



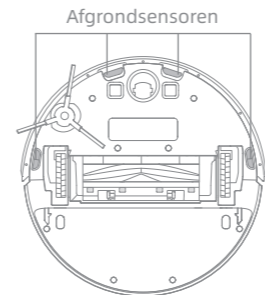
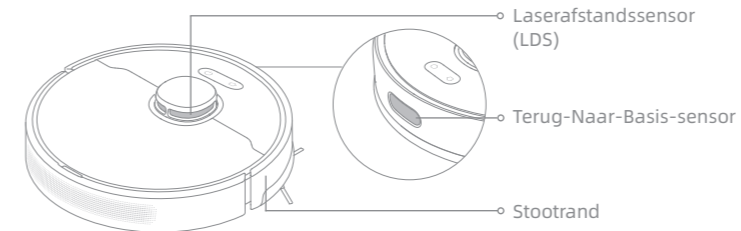
Opmerking:

- Gebruik gereedschap zoals een kleine schroevendraaier om de as en de band van het rondomlopende wiel te scheiden. Gebruik geen overmatige kracht.
- Spoel het rondomlopende wiel af onder stromend water en plaats het terug nadat het volledig is gedroogd.

Routinematig onderhoud

Robotsensoren

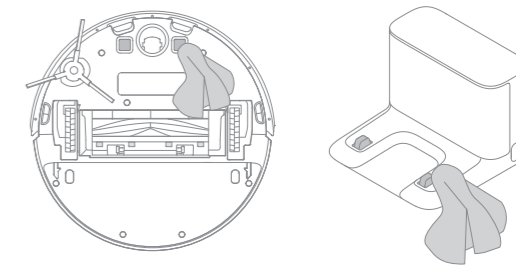
Veeg de robotsensoren schoon met een zachte en droge doek, zoals weergegeven in de onderstaande afbeelding:



Opmerking: Een natte doek kan gevoelige elementen in de robot en het oplaadstation beschadigen. Gebruik een droge doek voor het schoonmaken.

Oplaadcontacten en signaleringsvlak

Maak de oplaadcontacten en het signaleringsvlak schoon met een zachte, droge doek.



Batterij

De robot bevat een krachtige lithium-ionbatterij. Zorg ervoor dat de batterij goed opgeladen blijft voor dagelijks gebruik om optimale prestaties van de batterij te behouden. Als de robot gedurende langere tijd niet wordt gebruikt, schakel deze dan uit en berg deze op. Om schade door overontlading te voorkomen, laadt u de robot minstens om de drie maanden op.

Probleem	Oplossing
Robot gaat niet aan.	De batterij is bijna leeg. Laad de robot in het oplaadstation op en probeer het opnieuw. De temperatuur van de batterij is te laag of te hoog. Het wordt aanbevolen om het toestel te gebruiken bij een temperatuurtussen 0 °C (32 °F) en 40 °C (104 °F).
Robot laadt niet op.	Het oplaadstation krijgt geen stroom. Controleer of beide uiteinden van het netsnoer correct zijn aangesloten. Slecht contact. Maak de oplaadcontacten van het oplaadstation en de robot schoon.
Robot keert niet naar oplaadstation terug.	Er zijn te veel obstakels rond het oplaadstation. Plaats het oplaadstation op een plek die opener is. Maak het signaleringsvlak van het oplaadstation schoon.
Robot werkt niet goed.	Schakel de robot uit en daarna weer in.
Robot maakt een raar geluid.	Een vreemd voorwerp kan in de hoofdborstel, de zijborstel of één van de hoofdwielen vastzitten. Stop de robot en verwijder het vuil.
Robot reinigt niet meer efficiënt of laat stof achter.	De stofbak is vol. Maak het schoon. Het filter is verstopt. Maak het schoon. Een vreemd voorwerp zit in de hoofdborstel vast. Maak het schoon.

Probleem	Oplossing
Robot kan geen verbinding maken met wifi.	Er is iets mis met de wifi-verbinding. Reset de wifi en download de nieuwste versie van de Dreamehome-app en probeer vervolgens opnieuw verbinding te maken. Locatietoestemming is niet open. Zorg ervoor dat de locatietoestemming op de Dreamehome-app is ingeschakeld. Wifi-signaal is zwak. Zorg ervoor dat de robot zich in een gebied met goede wifi-bereik bevindt. 5 GHz wifi wordt niet ondersteund. Zorg ervoor dat uw robot verbinding maakt met 2,4 GHz wifi. De gebruikersnaam of het wachtwoord van wifi is onjuist. Voer de juiste gebruikersnaam en wachtwoord in.
Robot voert geen geplande reiniging uit.	De batterij van de robot is bijna leeg. De geplande reiniging zal pas starten als de robot nog minstens 15% batterijlading over heeft.
Verbruikt het laten staan van de robot op het oplaadstation stroom als hij al volledig is opgeladen?	Als de robot op het oplaadstation blijft staan nadat hij volledig is opgeladen, verbruikt hij zeer weinig stroom en behoudt hij optimale prestaties van de batterij.
Er komt geen of slechts een klein beetje water uit de watertank.	Controleer of er water in de watertank zit. Maak de dweilpad schoon als deze vuil wordt. Zorg ervoor dat de dweilpad correct volgens de gebruikershandleiding is geïnstalleerd. Maak het luchtgat op de watertankstop schoon.
Robot gaat na het opladen niet verder met reinigen.	Zorg ervoor dat de robot niet op de niet-storen-modus staat, waardoor deze het reinigen niet kan hervatten. De robot hervat het reinigen niet wanneer deze handmatig wordt opgeladen of op het oplaadstation wordt geplaatst.
Robot keert na verplaatsing niet naar het oplaadstation terug.	Als de robot wordt verplaatst, is het mogelijk dat deze zijn positie wijzigt of zijn omgeving opnieuw in kaart brengt. Als de robot te ver van het oplaadstation verwijderd is, is het mogelijk dat deze niet automatisch terugkeert; in dat geval moet u de robot handmatig op het oplaadstation plaatsen.

Neem voor meer ondersteuning contact met ons op via <https://global.dreametech.com>

Robot

Model	RLD34GA
Oplaadtijd	Ongeveer 6 uur
Nominale spanning	14,4 V $\overline{\text{---}}$
Nominaal vermogen	75 W
Werkingsfrequentie	2400-2483,5 MHz
Maximaal uitgangsvermogen	< 20 dBm

Onder normale gebruiksomstandigheden moet de afstand tussen de antenne en het lichaam van de gebruiker ten minste 20 cm bedragen.

Oplaadstation

Model	RCS0
Nominale ingang	100-240 V \sim 50/60 Hz 0,5 A
Nominale uitgang	19,8 V $\overline{\text{---}}$ 1 A

Verwijderen en weggooien van batterijen

De ingebouwde lithium-ion batterij bevat stoffen die gevaarlijk zijn voor het milieu. Voordat u de batterij weggooit, moet u ervoor zorgen dat de batterij door gekwalificeerde technici wordt verwijderd en bij een geschikt recyclingbedrijf wordt ingeleverd.

- de batterij moet uit het toestel worden verwijderd voordat deze wordt afgedankt;
- bij het verwijderen van de batterij moet het toestel van de stroomvoorziening worden losgekoppeld;
- de batterij moet veilig worden weggegooid.

OPGELET:

Voordat u de batterij verwijdert, moet u de stroom uitschakelen en de batterij zoveel mogelijk leeg laten lopen.

Oude batterijen moeten worden ingeleverd bij een geschikt recyclingbedrijf.

Stel niet bloot aan een omgeving met hoge temperaturen om explosiegevaar te voorkomen.

Onder extreme omstandigheden kan er vloeistof uit de batterij lekken. Bij aanraking, spoel met water en zoek medische hulp.

Verwijderingsgids:

1. Draai de robot ondersteboven, gebruik een geschikt gereedschap om de schroeven aan de achterkant van de robot te verwijderen en verwijder vervolgens de afdekking.
2. Maak de klemmen tussen de batterij en de printplaat los om de batterij te verwijderen.

AEEA-informatie



Alle producten met dit symbool zijn afgedankte elektrische en elektronische apparatuur (AEEA zoals in richtlijn 2012/19/EU) die niet samengevoegd mogen worden met ongesorteerd huishoudelijk afval. In plaats daarvan moet u de volksgezondheid en het milieu beschermen door uw afgedankte apparatuur in te leveren bij een door de overheid of de plaatselijke autoriteiten aangewezen inzamelpunt voor het recyclen van afgedankte elektrische en elektronische apparatuur. Een correcte verwijdering en recycling zal mogelijke negatieve gevolgen voor het milieu en de volksgezondheid helpen voorkomen. Neem contact op met de installateur of de plaatselijke autoriteiten voor meer informatie over de locatie en de voorwaarden van dergelijke inzamelpunten.

Sikkerhetsinformasjon

For å unngå elektrisk støt eller personskade som skyldes feil bruk av apparatet, må du lese brukhåndbok nøye før du bruker apparatet og ta vare på det til senere bruk.

Bruksbegrensninger

- Dette apparatet kan brukes av barn fra 8 år og oppover, og personer med reduserte fysiske, sensoriske eller mentale evner eller mangel på erfaring og kunnskap hvis de har fått tilsyn eller instruksjon om bruk av apparatet på en sikker måte og forstår farene som er involvert. Rengjøring og brukervedlikehold skal ikke gjøres av barn uten tilsyn.
- Barn skal ikke leke med dette produktet. Sørg for at barn og kjæledyr holdes på trygg avstand fra robotstøvsugeren mens den er i bruk.
- Dette produktet er kun for gulvrenngjøring i hjemmemiljøet. Ikke bruk det utendørs, på ikke-gulvoverflater, eller i en kommersiell eller industriell setting.
- Hvis strømledningen blir skadet eller ødelagt, må du slutte å bruke den umiddelbart og kontakte ettersalgsservice.
- Ikke bruk robotstøvsugeren i et område over bakkenivå uten en beskyttende barriere.
- Do not turn the robot vacuum cleaner upside down. Do not move the robot vacuum using the sensor cover of the LDS laser, the top cover or the bumper as a handle.
- Bruk robotstøvsugeren i miljøer med en omgivelsestemperatur over 0°C og under 40°C. Sørg for at det ikke er væske eller klissete stoffer på gulvet.
- Plukk opp eventuelle kabler fra gulvet før du bruker roboten for å forhindre at den drar dem mens du rengjør.
- Fjern skjøre eller små gjenstander fra gulvet for å forhindre robotstøvsugeren fra å komme borti dem og skade dem.

Sikkerhetsinformasjon

Bruksbegrensninger

- For å unngå skade eller skade fra å dra løse gjenstander fra gulvet, og fjern kabler eller strømledninger på rengjøringsbanen før apparatet tas i bruk.
- Hold hår, fingre og andre kroppsdeler unna sugeåpningen til robotstøvsugeren.
- Hold rengjøringsverktøyet utenfor barns rekkevidde.
- Ikke plasser barn, kjæledyr eller andre gjenstander på toppen av robotstøvsugeren uavhengig av om den er stasjonær eller i bevegelse.
- Ikke bruk robotstøvsugeren til å rengjøre brennende stoffer. Ikke bruk roboten til å plukke opp brennbare eller brennbare væskeretsende gasser, eller uforynnetacider eller løsemidler.
- Ikke sug opp harde eller spisse objekter. Ikke bruk apparatet til å plukke opp gjenstander som steiner, store papirbiter eller noe som kan tette apparatet.
- Forsikre at roboten er slått av og at ladestasjonen er koblet fra før rengjøring eller vedlikehold.
- Ikke tørk robotstøvsugeren eller ladedokken med en våt klut, og ikke skyll disse med væske. Etter rengjøring av deler som kan vaskes må delene tørkes fullstendig før de installeres på ny og brukes.
- Sørg for at robotstøvsugeren er slått av når den transporteres og holdes i sin originalemballasje om mulig.
- Bruk dette produktet i samsvar med instruksjonene i brukerhåndboken. Brukere har ansvar for tap eller skade som oppstår fra feil bruk av dette produktet.

Sikkerhetsinformasjon

Batterier og lading

- Ikke bruk batterier, ledninger eller ladedokker fra tredjeparter. Robotstøvsugeren kan kun brukes med ladedokkingen til RCS0 modellen.
- Ikke forsøk å demontere, reparere eller endre batteriet eller ladedokken på egen hånd.
- Ikke plasser ladedokken nær en varmekilde.
- Ikke bruk en våt klut eller våte hender til å tørke eller rengjøre dokkens ladekontakter.
- Ikke kast unødvendige batterier. Unødvendige batterier skal kastes på et egnet resirkuleringsanlegg.
- Hvis robotstøvsugeren ikke skal brukes over lengre tid, må den fulladdes, deretter slås av og oppbevares på et kaldt og tørt sted. Lad opp robotstøvsugeren minst hver 3. måned for å unngå å utlade batteriet.
- Dette produktet inneholder batterier som bare kan byttes ut av kvalifiserte teknikere eller ettersalgsservice.

Lasersikkerhetsinformasjon

- Lasersensoren i dette produktet oppfyller standarden IEC 60825--1:2014/ EN 60825--1:2014/A11:2021 for klasse 1-laserprodukter. Unngå direkte øyekontakt med under bruk.

KLASSE 1 LASERPRODUKT
FORBRUKERLASERPRODUKT
EN 50689:2021

Sikkerhetsinformasjon



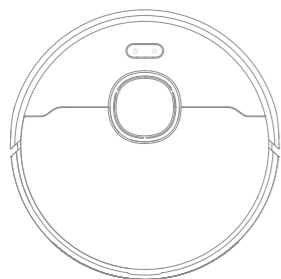
Kun for innendørs bruk



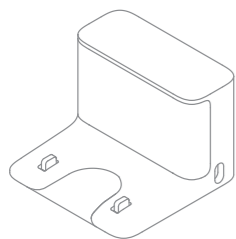
Les bruksanvisningen

Dreame Trading (Tianjin) Co., Ltd. Erklærer herved at radioutstyret type RLD34GA er i samsvar med direktiv 2014/53/EU. EU-overensstemmelseserklæringens fulle tekst kan man finne på følgende internettsadresse: <https://global.dreametech.com>
For en detaljert elektronisk bruksanvisning kan du besøke <https://global.dreametech.com/pages/user-manuals-and-faqs>

Pakkens innhold



Robot

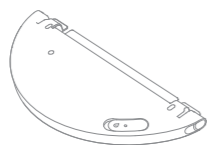


Ladedokk

Annet tilbehør



Sidebørste



Vanntank

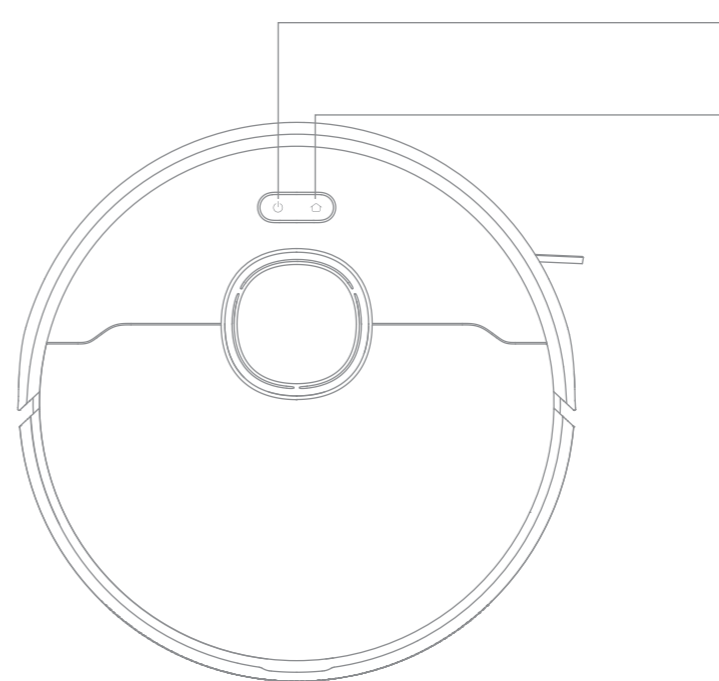


Strømledning

Moppepute
(forhåndsmontert)Rengjøringsverktøy
(forhåndsmontert)

Bruksanvisning

Robot



⏻ Strøm/rengjøringsknapp

- Trykk og hold for 3 sekunder å slå det på eller av
- Trykk for å starte rengjøringen etter at roboten er slått på

🏠 Dokking/områderengjøringsknapp

- Trykk og send roboten tilbake til ladedokk
- Trykk og hold i 3 sekunder for å starte områderengjøring

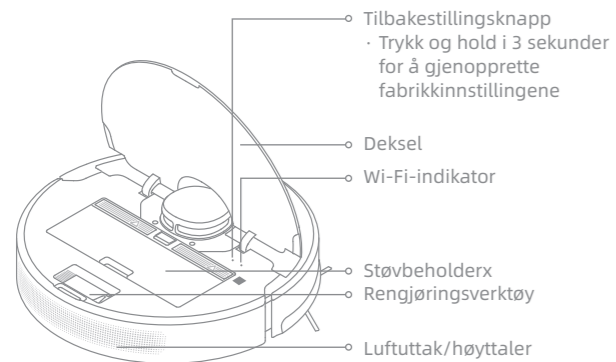
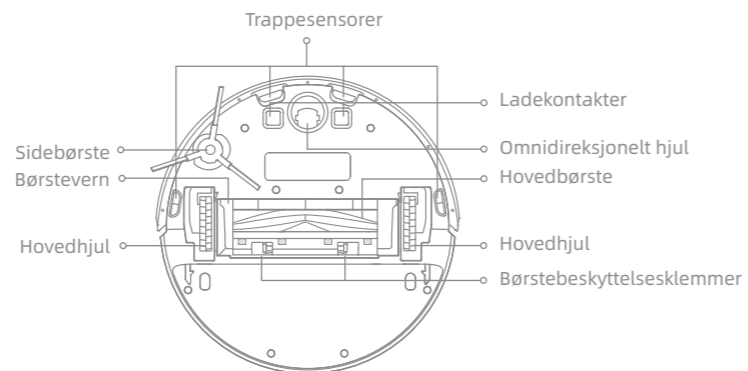
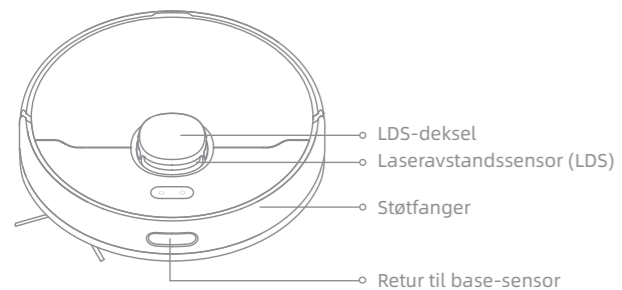
Statusindikator

- **Fast hvit:** Rengjøring eller opprydding er fullført
- **Blinkende oransje:** Feil
- **Pulserende hvit:** Roboten lader når batteristrømmen ikke er lav

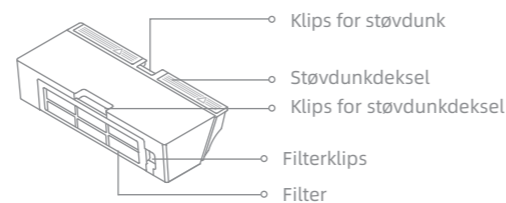
Notat:

- Trykk på en vilkårlig knapp på roboten for å pause mens roboten rengjør eller går tilbake til lading.
- Barnesikring kan aktiveres/deaktiveres via Dreamehome-appen.

Robot og sensorer



Støvdunk

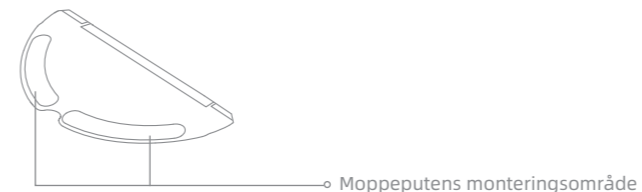


Moppemodul

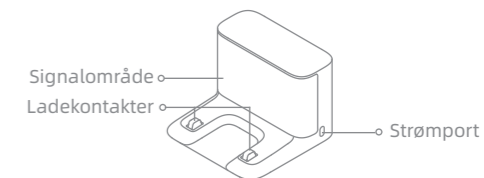
Vanntank

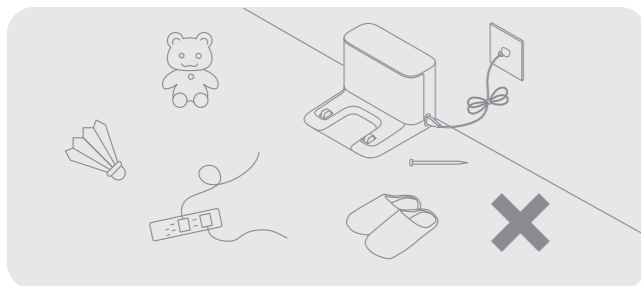


Moppepute

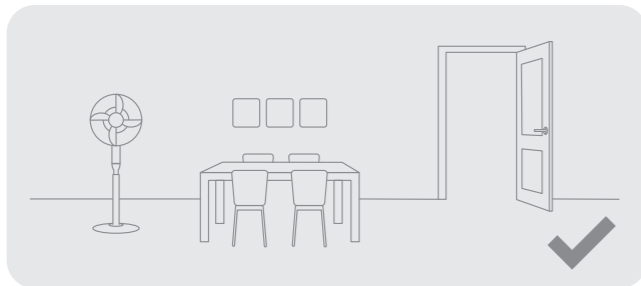


Ladedokk





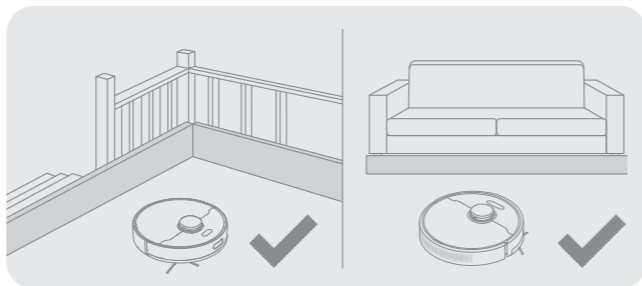
Før rengjøring bes du fjerne ustabile, skjøre, verdifulle eller farlige gjenstander. Rydd opp i kabler, kluter, leker, harde og skarpe gjenstander på gulvet, for å unngå mulige skader ved at de vikles inn, ripes eller veltes av roboten.



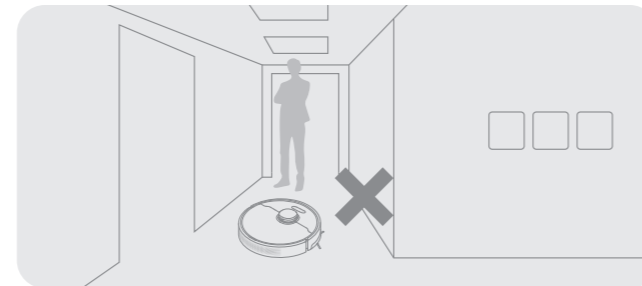
Åpne døren til rommet som skal rengjøres og plasser møbler på riktig sted for å lage mer plass.

Notat:

- Når du bruker roboten for første gang, må du følge den rundt mens den rengjør for å fjerne eventuelle hindringer i tide.
- Ikke støvsug harde gjenstander som steiner, stålkuler og leketøysdelar, eller skarpe gjenstander som byggeavfall, knust glass og spiker, siden dette kan føre til riper i gulvet.



Før rengjøring plasseres en fysisk barriere foran trapper og sofaer, for å sikre sikker og jevn drift av roboten.




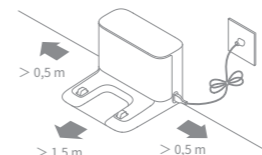
For å hindre at roboten ikke gjenkjenner området som rengjøres, må du ikke stå foran roboten eller i en terskel, ganger eller trange steder.

Før bruk

1. Plasser ladedokken og koble den til en stikkontakt

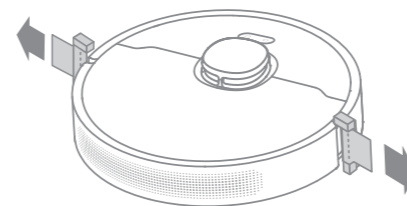
Plasser ladedokken på et flatt gulv mot veggen. Sett strømledningen inn i ladedokken og plugg den inn i stikkontakten.

 Plasser ladedokken på et sted som er så åpent som mulig med et godt Wi-Fi-signal.

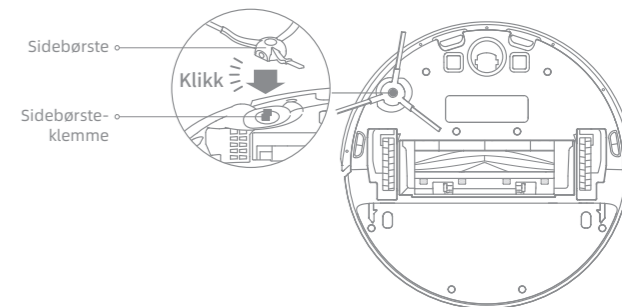
**Notat:**

- Fjern alle gjenstander som er nærmere enn 1,5 m fra fronten og 0,5 m fra hver side av ladedokken.
- Ikke plasser ladedokken i et område med direkte sollys eller der andre gjenstander kan blokkere signalet, siden dette kan hindre roboten fra å returnere til ladedokken.

2. Fjern beskyttelsene



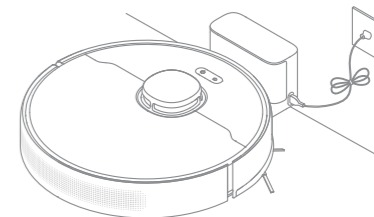
3. Installer sidebørsten



Notat: Installer sidebørsten til den klikker på plass.

4. Lade roboten

Ved plassering av roboten sentreres ladekontaktene på bunnen av roboten med ladekontaktene på ladedokken. Roboten slås automatisk på og begynner å lade.

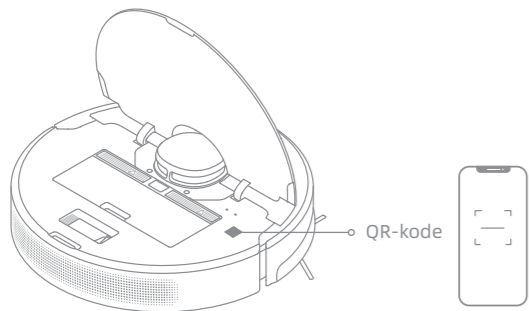


Notat: Det anbefales å lade roboten helt opp før første gangs bruk.

Koble til Dreamehome-appen

1. Last ned Dreamehome-appen

Skann QR-koden på roboten eller søk etter «Dreamehome» i appbutikken for å laste ned og installere appen.

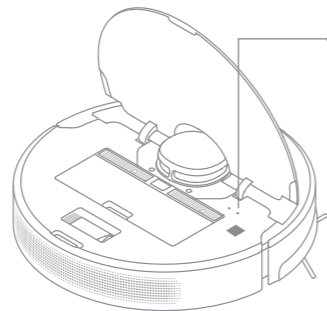


Notat:

- Bare 2,4 GHz Wi-Fi støttes.
- På grunn av oppgraderinger i appens programvare, kan de faktiske operasjonene avvike fra instruksjonene i denne bruksanvisningen. Følg instruksjonene i den gjeldende appversjonen.

2. Legg til enhet

Åpne Dreamehome-appen, trykk på «+» i øvre høyre hjørne, og skann den samme QR-koden på roboten igjen for å legge til enheten. Følg instruksjonene for å fullføre Wi-Fi-tilkoblingen.



- Wi-Fi-indikator
- Blinker sakte: Skal tilkobles
 - Blinker raskt: Kobler
 - På: Tilkoblet

Notat: Hvis du vil tilbakestille Wi-Fi, gjentar du trinn 2 og følger deretter instruksjonene for å fullføre Wi-Fi-tilkoblingen.

Bruk

Slå på/av

Trykk og hold inne ⏻-knappen i 3 sekunder for å slå på roboten. Strømindikatoren skal lyse. · Plasser roboten på ladedokken. Roboten slår seg automatisk på begynner å lade. For å slå av roboten, flytter du roboten bort fra dokkingen og trykker på og holder inne ⏻-knappen i 3 sekunder.

Rask kartlegging

Etter å ha konfigurert nettverket for første gang, følger du instruksjonene i appen for raskt å lage et kart. Roboten vil begynne å kartlegge uten rengjøring. Når roboten kommer tilbake til ladedokken er kartleggingsprosessen fullført, og kartet lagres automatisk.

Starte rengjøring

Trykk kort på ⏻-knappen for å starte rengjøringen etter at roboten er slått på. Deretter kartlegger roboten en rute nøyaktig og rengjør metodisk langs kantene og veggene. Deretter avslutte den med å rengjøre hvert rom i et S-formatet mønster for å sikre en grundig jobb.

Notat: Det anbefales at roboten går ut fra ladedokken før rengjøring. Ikke flytt ladedokken mens roboten rengjør. Dette sikrer at roboten går jevnt tilbake til ladedokken.

Pause/dvale

Når roboten kjører, kan du trykke på en vilkårlig knapp for å sette den på pause.

Hvis roboten er satt på pause i mer enn 10 minutter, går den automatisk i dvalemodus. Alle indikatorer på roboten slår seg av. Trykk på en vilkårlig knapp på roboten, eller trykk på appen for å vekke roboten.

Notat: Hvis roboten settes på pause og plasseres på ladedokken, vil den gjeldende rengjøringsoppgaven avsluttes.

Auto-gjenoppta rengjøring

Når det er for lite batteri, går robotstøvsugeren automatisk tilbake til ladedokken for lading. Etter å ha ladet til riktig batterinivå, gjenopptar den uferdige rengjøringsoppgaver.

Notat: Åpne den i appen for å bruke denne funksjonen.

Ikke forstyr-modus

Når roboten er satt til Ikke forstyr-modus, forhindres den fra å gjenoppta rengjøringen og strømindikatoren vil slås av. Ikke forstyr-modus er deaktivert som standard. Du kan bruke appen til å aktivere Ikke forstyr-modus eller endre Ikke forstyr-perioden. Ikke forstyr-perioden er fra kl. 22:00 til kl. 08:00 som standard.

Notat:

- Planlagte rengjøringsoppgaver utføres som normalt i Ikke forstyr-perioden.
- Roboten gjenopptar rengjøringen der den slapp etter at Ikke forstyr-perioden utløper.

Områderengjøring

Når roboten er i standby, trykker du på og holder inne ⏻-knappen i 3 sekunder for å aktivere områderengjøringsmodus. I denne modusen renser roboten et kvadratisk område på 1,5 x 1,5 meter rundt seg, og går tilbake til startpunktet når områderengjøringen er fullført.

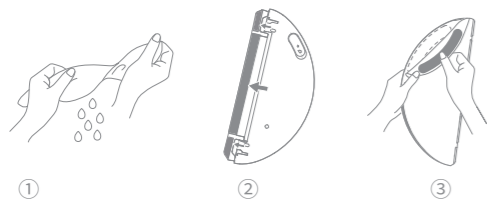
Starte roboten på nytt

Hvis roboten slutter å reagere eller ikke kan slås av, trykker du på og holder nede ⏻-knappen i 10 sekunder for å tvinge den av. Trykk deretter på og hold inne ⏻-knappen i 3 sekunder for å slå på roboten.

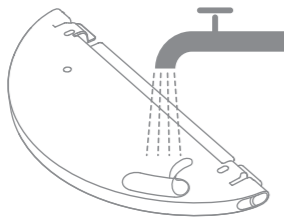
Bruke moppefunksjonen

Det anbefales at alle gulvene støvsuges minst tre ganger før den første moppeøkten, for å oppnå en bedre rengjøringseffekt.

1. Fukt moppeputen og vri ut overflødig vann. Installer moppeputen som vist i diagrammet.



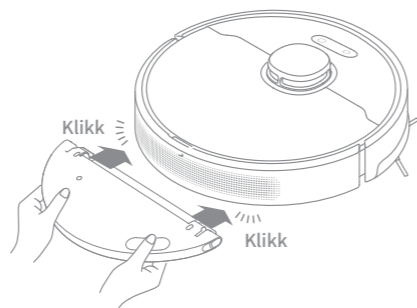
2. Fyll beholderen med vann.



Notat:

- Ikke bruk vaskemiddel eller desinfeksjonsmiddel.
- Ikke fyll vannbeholderen med varmt vann, siden dette kan føre til at vannbeholderen vrir seg.

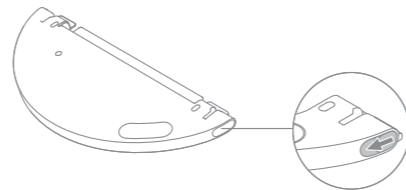
3. Sentrer moppemodulen angitt av pilen, og skyv den deretter inn på baksiden av roboten til den klikker på plass. Trykk på -knappen eller bruk Dreamhome-appen for å starte rengjøringen.



Notat:

- Det anbefales ikke å bruke moppefunksjonen på tepper.
- Bruk appen til å justere vannstrømmen etter behov.

4. Når robotstøvsugeren fullfører en rengjøringsoppgave og returnerer til ladedokken, fjerner du moppemodulen og vasker tidvis moppeputen. For å fjerne vanntanken, skyver du de to utløserklemmene på siden av den for å ta den ut.



Notat: Fjern moppemodulen når roboten lader eller ikke er i bruk, heller du ut alt gjenværende vann i vannbeholderen og rengjør moppeputen for å forhindre mugg eller lukt.

Rutinemessig vedlikehold

Deler

For å holde roboten i god stand, anbefales det å se bruken av tilbehør i appen eller følgende tabell for rutinemessig vedlikehold.

Del	Vedlikeholds- hyppighet	Erstatningsperiode
Moppepute	Etter hver bruk	Hver 3. til 6. måned
Hovedbørste	En gang hver 2. uker	Hver 6. til 12. måned
Støvdunkens filter		Hver 3. til 6. måned
Sidebørste		
Ladedokkens signalområde	En gang hver måned	/
Ladedokkens ladekontakter		
Omnidireksjonelt hjul		
Laseravstandssensor (LDS)		
Robotens ladekontakter		

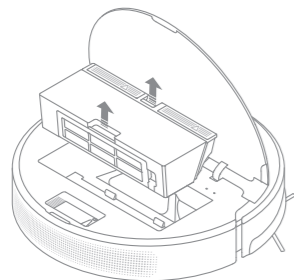
Del	Vedlikeholds- hyppighet	Erstatningsperiode
Støtfanger	En gang hver måned	/
Robotens bunn		
Trappesensorer		
Retur til base-sensor		
Vanntank	Rengjør ved behov	/
Støvdunk		

Notat: Utskiftningshyppigheten avhenger av din bruk av roboten. Hvis det oppstår unntak på grunn av spesielle omstendigheter, bør delene byttes.

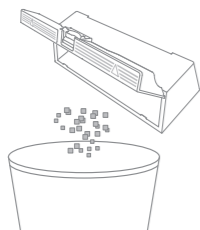
Rutinmessig vedlikehold

Støvdunk

1. Åpne robotens deksel og trykk på klipset for å fjerne støvdunken.

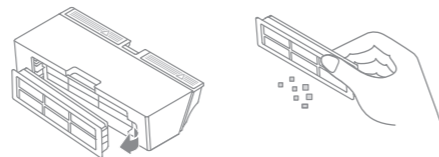


2. Åpne støvdunkdekelet og tøm støvdunken som vist i diagrammet.



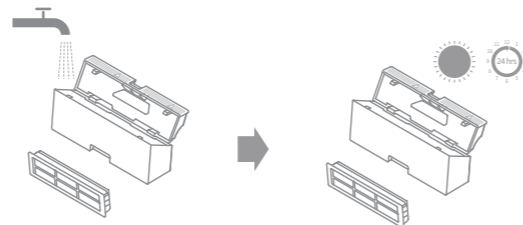
Filter

1. Fjern filteret og bank forsiktig på kurven.



Notat: Ikke forsøk å rengjøre filteret med en børste, en finger eller en skarp gjenstand. Dette kan forårsake skade.

2. Skyll støvdunken og filteret under rent vann og la dem tørke fullstendig før de settes tilbake.



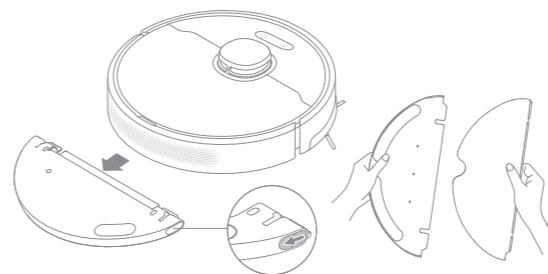
Notat:

- Skyll støvdunken og filteret kun med rent vann. Ikke bruk noe vaskemiddel.
- Bruk støvdunken og filteret kun når de er helt tørre.

Rutinmessig vedlikehold

Moppemodul

1. Skyv de to utløserklemmene på siden av vanntanken, fjern moppemodulen og trekk moppeputen av moppemodulen.

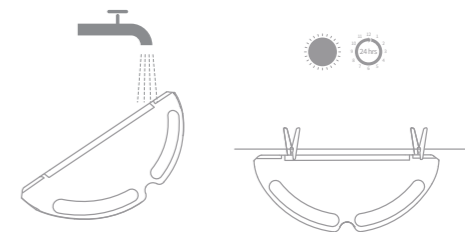


2. Hell ut vannet i beholderen. Rengjør tanken kun med vann og la den lufttørke før den settes tilbake.



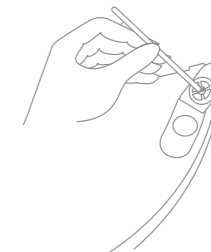
Notat: Ikke utsett vannbeholderen for direkte sollys.

3. Rengjør moppeputen kun med vann og la den lufttørke før den settes tilbake.



Notat: Fjern moppeputen fra moppemodulen før du rengjør den, og sørg for at skittent vann ikke strømmer tilbake i vannløpet for å unngå tilstopping.

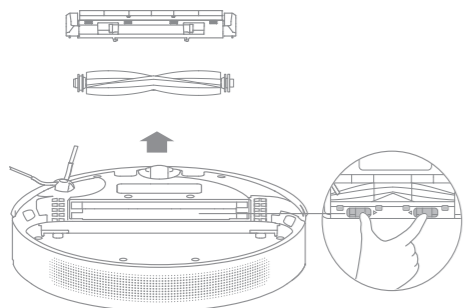
4. Hvis det oppstår langsom vannstrøm eller vannvolumet ikke er godt fordelt, må luftehullet i dekelet til vannbeholderen rengjøres.



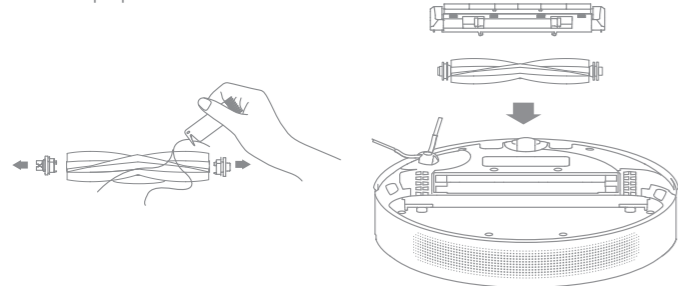
Rutinmessig vedlikehold

Hovedbørste

1. Trykk børstevernklammene innover for å fjerne børstevernet og løfte børsten ut av roboten.



2. Trekk ut børstedekslene i begge endene av børsten som vist i diagrammet. Bruk det medfølgende rengjøringsverktøyet for å fjerne evt. hår som er filtret i børsten. Sett på plass børstedekslene på begge ender av børsten, og sett deretter på igjen børsten. Trykk på børstebeskyttelsen for å låse den på plass.

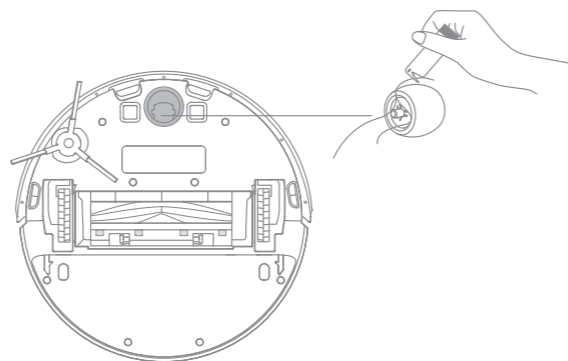


Sidebørste

Fjern og rengjør sidebørsten.



Omnidireksjonelt hjul



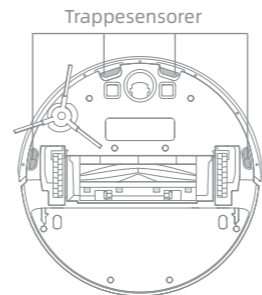
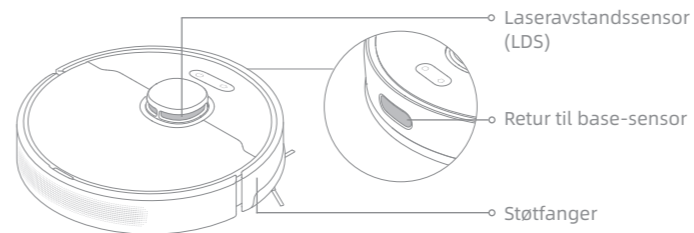
Notat:

- Bruk et verktøy slik som en liten skrutrekker for å skille akselen og dekket på omnidireksjonshjulet. Ikke bruk overdreven kraft.
- Skyll omnidireksjonshjulet under rennende vann og plasser det tilbake etter at det har tørket helt.

Rutinmessig vedlikehold

Robotsensorer

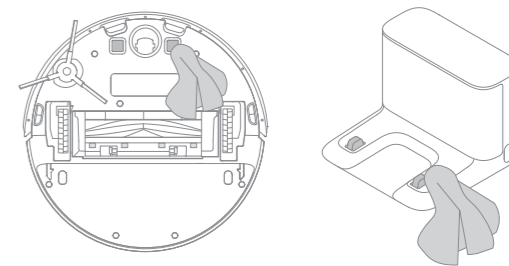
Tørk av robotsensorene ved å bruke en myk og tørr klut, som vist i figuren nedenfor:



Merk: En våt klut kan skade sensitive elementer på roboten og ladedokken. Bruk en tørr klut til rengjøring.

Ladekontakter og signalområde

Rengjør ladekontaktene og signalområdet med en myk og tørr klut.



Batteri

Roboten inneholder en høyttelses litium-ion batteripakke. Sørg for at batteriet forblir godt ladet for daglig bruk, for å opprettholde optimal batteriytelse. Hvis roboten ikke skal brukes over en lengre periode, slår du den av og legger den bort. For å forhindre skader fra overutlading, lades roboten minst én gang hver tredje måned.

Problem	Løsning
Roboten slår seg ikke på.	Det er lite batteri. Lad opp roboten på ladedokken og prøv deretter på nytt. Temperaturen på batteriet er for lav eller for høy. Det anbefales å bruke apparatet ved en temperatur mellom 0 °C og 40 °C.
Roboten lader ikke.	Ladedokken mottar ikke strøm. Bekreft at begge endene av strømledningen er riktig tilkoblet. Dårlig kontakt. Rengjør ladekontaktene på både ladedokken og roboten.
Roboten returnerer ikke tilbake til ladedokken.	Det er for mange hindringer rundt ladedokken. Plasser ladedokken i et mer åpent område. Rengjør dokkens signalområde.
Roboten fungerer ikke.	Slå av roboten og aktiver den deretter på nytt.
Roboten lager en merkelig lyd.	Et fremmedlegeme kan sette seg fast i hovedbørsten, sidebørsten eller et av hovedhjulene. Stopp roboten og fjern eventuelt smuss.
Roboten rengjør ikke lenger effektivt eller etterlater støv.	Støvbeholderen er full. Rengjør den. Filteret er blokkert. Rengjør det. Et fremmedlegeme sitter fast i hovedbørsten. Rengjør det.

Problem	Løsning
Roboten kan ikke koble til Wi-Fi.	Det er noe galt med Wi-Fi-tilkoblingen. Tilbakestill Wi-Fi og last ned den nyeste versjonen av Dreamehome-appen, prøv deretter å koble til på nytt. Posisjonstillatelsen er ikke åpen. Sørg for at posisjonstillatelse er aktivert i Dreamehome-appen. Wi-Fi-signalet er svakt. Sørg for at roboten er i et område med god Wi-Fi-dekning. 5 GHz Wi-Fi støttes ikke. Sørg for at roboten din kobler til 2,4 GHz Wi-Fi. Brukernavnet eller passordet til Wi-Fi er feil. Oppgi riktig brukernavn og passord.
Roboten utfører ikke planlagt rengjøring.	Roboten har lite batteri. Planlagt rengjøring starter ikke med mindre roboten har minst 15 % batteri igjen.
Bruker roboten på ladedokken strøm hvis den allerede er fulladet?	At roboten blir på ladedokken etter at den er fulladet, bruker svært lite strøm og hjelper å opprettholde optimal batteriutføring.
Det kommer ikke ut vann fra vannbeholderen, eller kommer bare ut litt.	Sjekk om det er vann inne i vanntanken. Rengjør moppeputen hvis den blir skitten. Sørg for at moppeputen er riktig installert i henhold til bruksanvisningen. Rengjør luftehullet på vanntankstopperen.
Roboten fortsetter ikke rengjøringen etter lading.	Forsikre at roboten ikke er stilt inn på Ikke forstyrret-modus, som forhindrer at den fortsetter rengjøringen. Roboten fortsetter ikke rengjøringen når den lades opp manuelt eller plasseres på ladedokken.
Roboten går ikke tilbake til ladedokken etter å ha blitt flyttet.	Flytting av roboten kan føre til at den omplasserer seg selv eller kartlegger omgivelsene på nytt. Hvis roboten er for langt fra ladedokken, kan det være den ikke returnere av seg selv til dokken. I så fall må du manuelt plassere roboten på ladedokken.

Robot

Modell	RLD34GA
Ladetid	Ca. 6 timer
Nominell spenning	14,4 V ---
Nominell effekt	75 W
Driftsfrekvens	2400-2483,5 MHz
Maksimalt utgangseffekt	< 20 dBm

Under normal bruk av tilstanden bør dette utstyret holdes en avstand på minst 20 cm mellom antennen og brukerens kropp.

Ladedokking

Modell	RCS0
Nominell inngang	100-240 V \sim 50/60 Hz 0,5 A
Nominell utgang	19,8 V --- 1 A

Avhending og fjerning av batteri

Den innebygde Litium-ion-batteripakken inneholder stoffer som er skadelige for miljøet. Før du avhender batteriet, må du sørge for at batteriet fjernes av kvalifiserte teknikere og avhendes på et egnet resirkuleringsanlegg.

- batteriet må fjernes fra apparatet før det avhendes;
- apparatet må kobles fra strømmettet når du tar ut batteriet;
- batteriet må avhendes på en sikker måte.

FORSIKTIG:

Før du tar ut batteriet, må du koble fra strømmen og tømme batteriet så mye som mulig.

Brukte batterier må avhendes hos et passende gjenvinningsanlegg.

Ikke utsett batteriet for høye temperaturer for å unngå risiko for eksplosjon.

Under dårlige forhold kan væske lekke fra batteriet. Hvis det oppstår kontakt må du skylle med vann og kontakte lege.

Veiledning for fjerning:

1. Snu roboten, bruk et riktig verktøy for å fjerne skruene på baksiden av roboten, og fjern deretter dekslet.
2. Koble fra polene mellom batteriet og PCB-kortet for å fjerne batteriet.

EE-informasjon



Alle produktene utstyrt med symbolet er elektrisk og elektronisk avfall (EE-avfall som i direktiv 2012/19/EU) som ikke skal blandes med usortert husholdningsavfall. Du bør heller beskytte menneskers helse og miljøet ved å overlevere kassert utstyr til et utpekt innsamlingspunkt for resirkulering av elektrisk og elektronisk utstyr, utpekt av myndighetene eller lokale myndigheter. Riktig avhending og resirkulering bidrar til å forhindre mulige negative konsekvenser for miljøet og menneskers helse. Kontakt installatøren eller lokale myndigheter for mer informasjon om plasseringen, samt vilkår og betingelser for slike innsamlingssteder.

För att avstå från elektriska stötar, brand eller skador orsakade av felaktig användning av apparaten, läs bruksanvisningen noggrant innan du använder apparaten och förvara den som referensmaterial.

- Användarrestriktioner**
- Denna produkt bör inte användas av barn yngre än 8 år eller personer med fysiska, sensoriska eller intellektuella handikapp eller begränsad erfarenhet/kunskap utan överinseende av en förälder/vårdnadshavare för att säkerställa säker användning och för att undvika risker. Rengöring och underhåll får inte utföras av barn utan tillsyn.
 - Barn ska inte leka med denna produkt. Se till att barn och husdjur hålls på säkert avstånd från robotdammsugaren medan den är igång.
 - Denna produkt är endast avsedd för golvrengöring i hemmiljö. Använd den inte utomhus, på ytor som inte är golv eller i kommersiella eller industriella miljöer.
 - Om strömkabeln skadas eller går sönder, sluta omedelbart använda den och kontakta after sales-tjänst.
 - Använd inte robotdammsugaren i ett område upphängt över marknivån utan en skyddande barriär.
 - Placera inte robotdammsugaren upp och ner. Flytta inte robotdammsugaren genom att använda dess LDS-lasersensorlock, lock eller stötfångare som handtag.
 - Använd robotdammsugaren i miljöer med en omgivningstemperatur över 0 °C och under 40 °C. Se till att det inte finns någon vätska eller klabbiga ämnen på golvet.
 - Samla upp eventuella kablar från golvet innan du använder roboten för att förhindra att den drar kablarna med sig under rengöringen.
 - Ta bort ömtåliga eller små föremål från golvet för att förhindra att robotdammsugaren stöter till och skadar dem.

- Användarrestriktioner**
- För att förhindra skador eller skador på grund av dragning, ska du rensa bort lösa föremål från golvet och ta bort kablar eller strömkablar på rengöringsbanan innan du använder apparaten.
 - Håll hår, fingrar och andra kroppsdelar borta från robotdammsugarens sugöppning.
 - Förvara rengöringsverktyget utom räckhåll för barn.
 - Placera inte barn, husdjur eller andra föremål ovanpå robotdammsugaren, oavsett om den är stillastående eller rör sig.
 - Använd inte robotdammsugaren för att rengöra brinnande ämnen. Undvik att använda roboten för att plocka upp brandfarliga eller brännbara vätskor, frätande gaser eller utspädda syror eller lösningsmedel.
 - Dammsug inte upp hårda eller vassa föremål. Undvik att använda apparaten för att plocka upp föremål som stenar, stora pappersbitar eller andra föremål som kan täppa till apparaten.
 - Se till att roboten är avstängd och att laddningsdockan är urkopplad innan du rengör eller utför underhåll.
 - Torka inte av denna robotdammsugare eller laddningsdockan med en våt trasa och skölj inte av dem med någon vätska. Efter att tvättbara delar rengjorts måste dessa torkas noggrant innan de installeras på nytt och används.
 - Se till att robotdammsugaren är avstängd när den transporteras och att den om möjligt förvaras i originalförpackningen.
 - Använd denna produkt i enlighet med instruktionerna i bruksanvisningen. Användare är ansvariga förförlust eller skada som uppstår på grund av felaktig användning av denna produkt.

Säkerhetsinformation

Batterier och laddning

- Använd inte något batteri, elsladd eller laddningsdocka från någon tredje part. Robotdammsugaren kan endast användas med laddningsdockan modell RCS0.
- Försök inte ta isär, reparera eller modifiera batteriet eller laddningsdockan på egen hand.
- Placera inte laddningsstationen nära en värmekälla.
- Använd inte en våt trasa eller våta händer för att torka eller rengöra dockans laddningskontakter.
- Undvik att bortskaffa gamla batterier på ett felaktigt sätt. Obehövliga batterier ska kasseras på en lämplig återvinningsanläggning.
- Om robotdammsugaren inte kommer att användas under en längre tid, ladda den helt, stäng sedan av den och förvara den på en sval, torr plats. Ladda robotdammsugaren minst en gång var tredje månad för att undvika att batteriet laddas ur för mycket.
- Den här produkten innehåller batterier som endast kan bytas ut av kvalificerade tekniker eller after sales-tjänst.

Lasersäkerhetsinformation

- Lasersensorn i denna produkt uppfyller IEC 60825-1:2014/EN 60825-1:2014/A11:2021 standard för laserprodukter i klass 1. Undvik direkt ögonkontakt med den under användning.

KLASS 1 LASERPRODUKT
LASERPRODUKT FÖR KONSUMENT
EN 50689:2021

Säkerhetsinformation



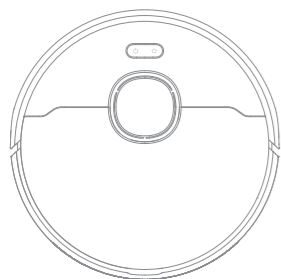
Endast för inomhusbruk



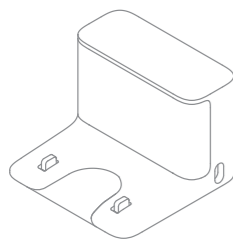
Läs bruksanvisningen

Härmed förklarar Dreame Trading (Tianjin) Co., Ltd. att radioutrustningen av typ RLD34GA överensstämmer med direktiv 2014/53/EU. Den fullständiga texten till EU-försäkran om överensstämmelse finns på följande webbadress: <https://global.dreametech.com>
Om du vill läsa en utförlig e-användarhandbok, gå till <https://global.dreametech.com/pages/user-manuals-and-faqs>

Paketinnehåll



Robot

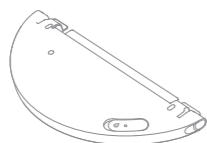


Laddningsstation

Andra tillbehör



Sidoborste



Vattentank

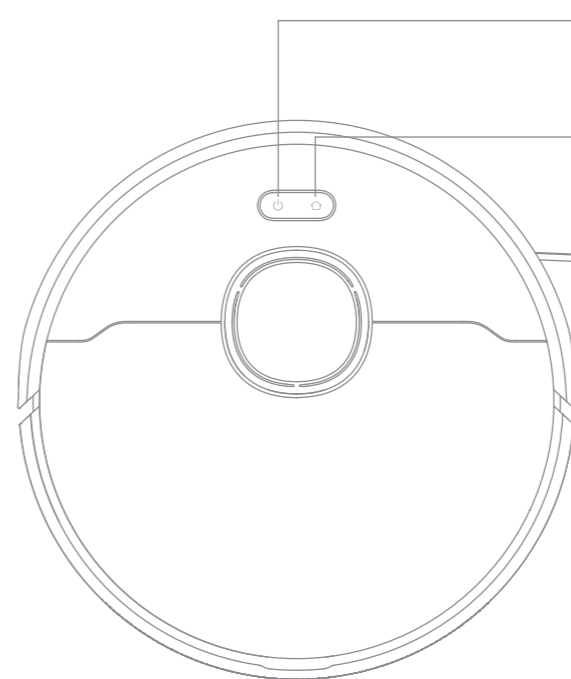


Strömkabel

Moppdyna
(förinstallerad)Rengöringsverktyg
(förinstallerad)

Bruksanvisning

Robot



- Knapp för ström/rengöring**
 - Håll den intryckt i 3 sekunder för att slå på eller stänga av
 - Tryck för att starta rengöringen efter att roboten har slagits på

- Knapp för dockningsstation/fläckrengöring**
 - Tryck för att skicka roboten tillbaka till laddningsdockan
 - Håll den intryckt i tre sekunder för att starta läget för fläckrengöring

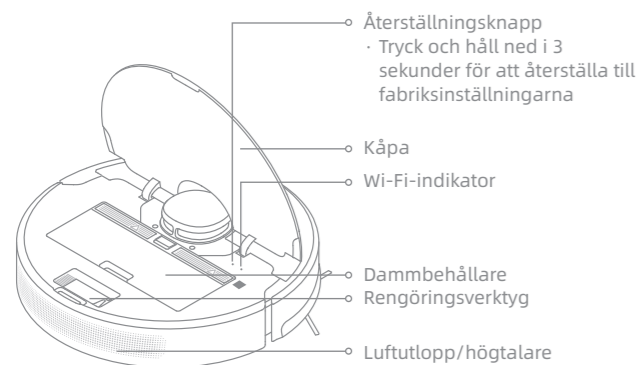
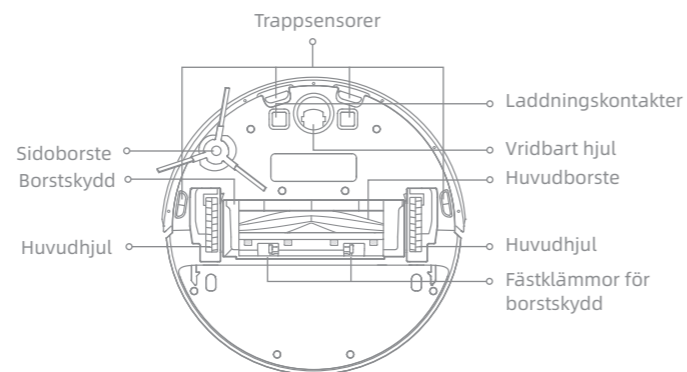
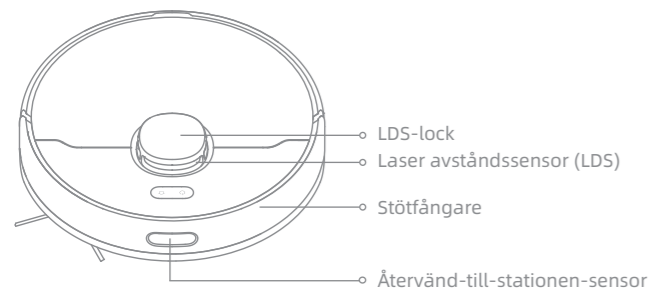
Statusindikator

- **Helt vit:** Rengöringen eller städningen är slutförd
- **Blinkar orange:** Fel
- **Andas vit:** Roboten laddar när batteriet inte är lågt

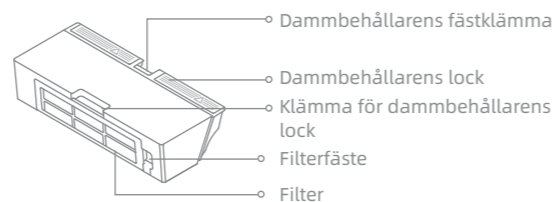
Obs:

- Tryck på valfri knapp på roboten för att pausa roboten när den städar eller åker tillbaka för att ladda.
- Barnlås kan aktiveras/inaktiveras via appen Dreamehome.

Robot och sensorer



Dammbehållare

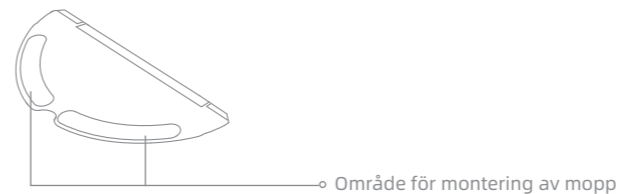


Moppmodul

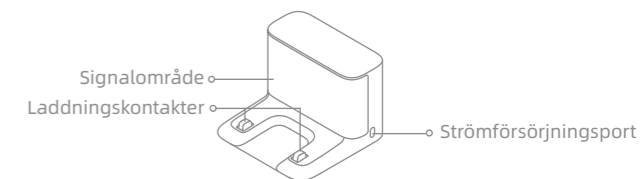
Vattentank

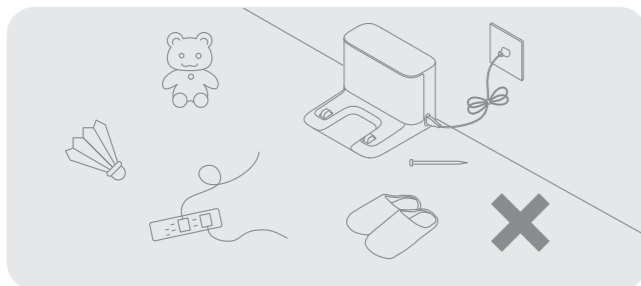


Moppdyna

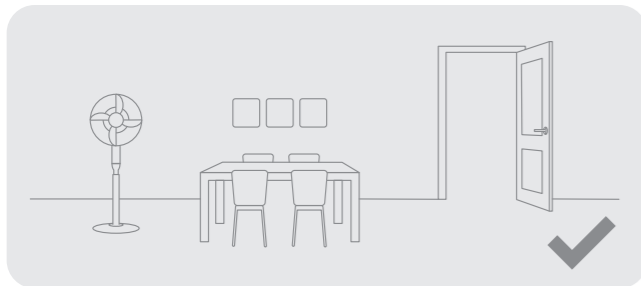


Laddningsstation





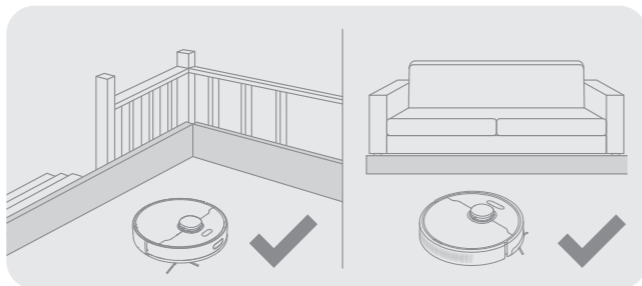
Innan rengöring påbörjas, ska instabila, ömtåliga, värdefulla eller farliga föremål plockas bort, och kablar, trasor, leksaker, hårda föremål och vassa föremål rensas från marken för att undvika att bli insnörd, repad eller omkullvält av roboten och orsak.



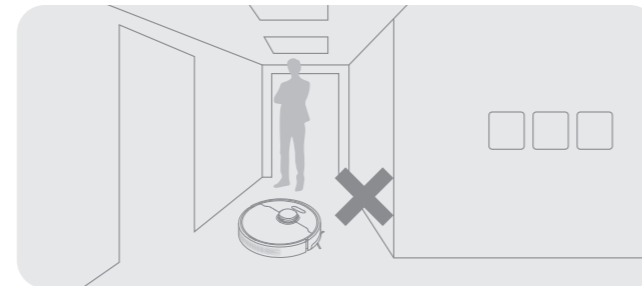
Öppna dörren till det rum som ska rengöras och ställ möblerna på sin rätta plats för att lämna mer utrymme.

Obs:

- När du använder roboten för första gången, följ den under rengöringen för att ta bort eventuella hinder i tid.
- Hårda föremål som stenar, stålkulor och leksaksdelar, eller vassa föremål som byggavfall, krossat glas och spikar ska inte dammsugas upp, annars kan underlaget skrapas.



Innan påbörjad rengöring ska ett fysiskt hinder vid kanten av trappan och soffan placeras för att säkerställa en säker och smidig drift av roboten.



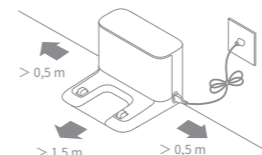
För att undvika att roboten inte känner igen områden som behöver rengöras ska du inte stå framför roboten, eller på tröskeln, korridoren eller trånga platser.

Innan användning

1. Placera laddningsdockan och anslut till ett eluttag

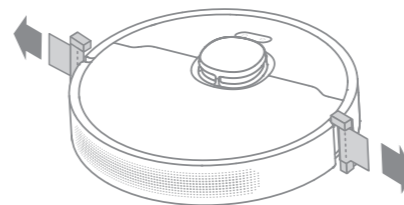
Placera laddningsdockan på plant underlag mot väggen. Sätt i strömsladden i laddningsdockan och anslut den till vägguttaget.

- Placera laddningsdockan på en plats som är så öppen som möjligt med en bra WiFi-signal.

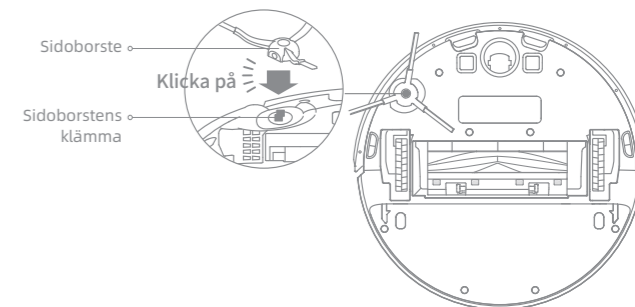
**Obs:**

- Plocka bort alla föremål som är närmare än 1,5 m från framsidan och 0,5 m från vardera sidan av laddningsdockan.
- Placera inte laddningsstationen i ett område med direkt solljus eller där andra objekt kan blockera signalen, eftersom detta kan hindra roboten från att återvända till laddningsstationen.

2. Ta bort skydden



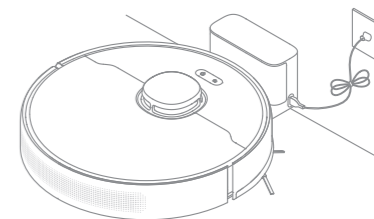
3. Montera sidoborsten



Obs: Installera sidoborsten tills den klickar på plats.

4. Ladda roboten

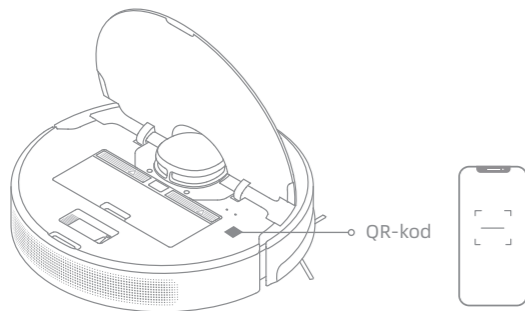
Vid placering av roboten, rikta in laddningskontaktarna längst ner på roboten mot laddningskontaktarna på laddningsdockan och roboten slås på automatiskt och börjar laddas.



Obs: Det rekommenderas att du laddar roboten helt och hållet innan första användningen.

1. Ladda ner Dreamehome-appen

Skanna QR-koden på roboten, eller sök på "Dreamehome" i appbutiken för att ladda ner och installera appen.

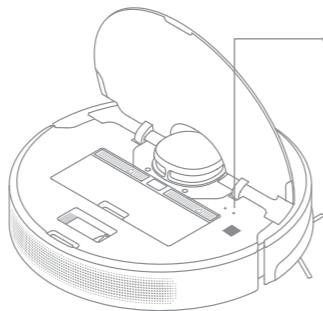


Obs:

- Endast stöd för 2,4 GHz WiFi.
- På grund av uppgraderingar av appens mjukvara kan de faktiska funktionerna skilja sig från vad som anges i denna handbok. Följ instruktionerna för den aktuella app-versionen.

2. Lägg till enhet

Öppna appen Dreamehome, klicka "+" i övre högra hörnet, skanna samma QR-kod på roboten igen och lägg till enheten. Följ anvisningarna för att slutföra WiFi-anslutningen.


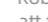


- Wi-Fi-indikator
- Blikar långsamt: Ska anslutas
 - Blikar snabbt: Anslutning
 - På: Ansluten

Obs: Om du vill återställa wifi kan du upprepa steg 2 och sedan följa anvisningarna för att slutföra wifi-anslutningen.

Hur man använder den


Slå på/av

Tryck och håll ner knappen  i 3 sekunder för att slå på roboten. Strömindikatorn bör vara tänd. Placera roboten på laddningsstationen. Roboten slås på automatiskt och börjar ladda. Roboten stängs av genom att flytta roboten bort från laddningsdockan och hålla knappen  intryckt i 3 sekunder.

Snabb kartläggning

När du har konfigurerat nätverket för första gången följer du anvisningarna i appen för att snabbt skapa en karta. Roboten börjar kartlägga utan att rengöra. När roboten återvänder till laddningsdockan, har processen för kartläggning slutförts och kartan kommer att sparas automatiskt.

Börja rengöringen

Tryck på knappen  för att starta rengöringen efter att roboten slagits på. Roboten kartlägger noggrant en rutt, rengör metodiskt längs kanter och väggar och klarar uppgiften sedan genom att rengöra varje rum i ett S-format mönster för att säkerställa ett grundligt arbete.

Obs: Det rekommenderas att roboten är borttagen från laddningsdockan innan rengöring. Undvik att flytta på laddningsstationen medan roboten rengör. Detta säkerställer att roboten återgår till laddningsdockan smidigt.

Pausa/Viloläge

När roboten är igång kan du trycka på valfri knapp för att pausa den.

Om roboten pausar i mer än 10 minuter går den automatiskt in i viloläge. Alla indikatorer på roboten stängs av. Tryck på valfri knapp på roboten, eller använd appen för att väcka roboten.

Obs: Om roboten pausas och placeras på laddningsdockan avslutas den aktuella rengöringsuppgiften.

Återuppta rengöring automatiskt

Är batterinivån för låg, återgår roboten automatiskt till laddningsdockan för att ladda. Efter laddning till lämplig batterinivå återupptar den oavslutade rengöringsuppgifter.

Obs: Vill du använda denna funktion ska du öppna den i appen.


Stör ej-läge (Do Not Disturb, DND)

När roboten är inställd på Stör ej-läge (DND), kommer roboten att förhindras från att återuppta rengöringen och strömindikatorn slocknar. Stör ej (DND)-läget är inaktiverat som fabriksstandard. Du kan använda appen för att aktivera DND-läget eller ändra DND-perioden. Stör ej (DND)-perioden är 22:00-8:00 som standard.



Obs:

- Den schemalagda rengöringen kommer att utföras som vanligt under DND-perioden.
- Roboten återupptar rengöringen där den slutade senast efter att Stör-ej-perioden (DND) tagit slut.

Spot-rengöring

När roboten är i standby-läge trycker du kort på knappen  i 3 sekunder för att aktivera läget fläckrengöring. I det här läget rengör roboten ett kvadratisk område på 1,5 x 1,5 meter runt den och återgår till startpunkten när Spot-rengöringen är klar.

Omstart av roboten

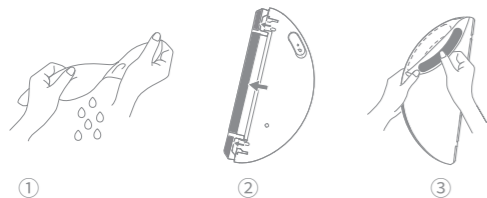
Om roboten slutar svara eller inte går att stänga av, håller du knappen  intryckt i 10 sekunder för att framtvinga en avstängning. Håll knappen  intryckt i 3 sekunder för att sätta igång roboten.

Hur man använder den

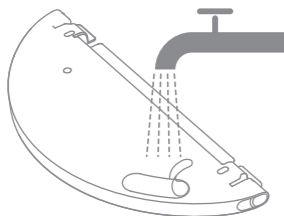
Använd mopplingsfunktion

Det rekommenderas att alla golv dammsugs minst tre gånger före det första mopplingsstillfället för att uppnå en bättre rengöringseffekt.

1. Fukta moppdynan och vrid ut överflödigt vatten. Montera moppdynan så som visas på bilden.




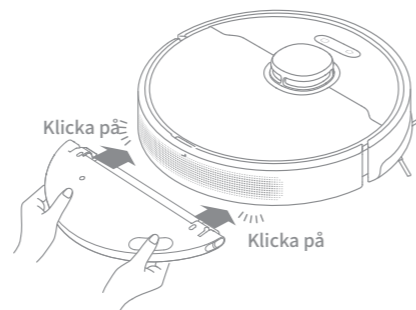
2. Fyll tanken med vatten.



Obs:

- Använd inte rengöringsmedel eller desinfektionsmedel.
- Vattentank ska inte fyllas med hett vatten, eftersom det kan leda till att vattentanken deformerar.

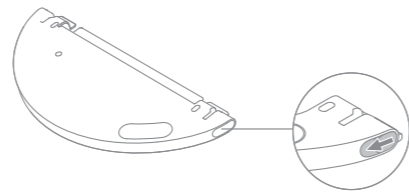
3. Rikta in moppsmodulen enligt pilen och skjut in den på baksidan av roboten tills den klickar på plats. Tryck på knappen  eller använd appen Dreamehome för att påbörja rengöringen.



Obs:

- Det rekommenderas inte att använda mopplingsfunktionen på mattor.
- Använd appen för att justera vattenflödet efter behov.

4. När roboten avslutar en rengöringsuppgift och återvänder till laddningsdockan, plocka bort den monterade moppen och tvätta moppdynorna i tid. För att plocka bort vattentanken, skjut de två klämmorna för lösgöring på sidan av den för att ta ut den.



Obs: När roboten laddas eller inte används, ta bort moppsmodulen, häll ut allt återstående vatten i vattentanken och rengör moppdynan för att förhindra mögel eller lukt.

Rutinunderhåll

Delar

För att hålla roboten i gott skick, rekommenderas att du följer tillbehörsanvändning i appen eller följande tabell för rutinunderhåll.

Del	Underhållsfrekvens	Utbytesperiod
Moppdyna	Efter varje användning	Varje 3 till 6 månader
Huvudborste	En gång varannan vecka	Varje 6 till 12 månader
Dammbehållarens filter		Varje 3 till 6 månader
Sidoborste	En gång i månaden	/
Laddningsstationens signalområde		
Laddningsdockans laddningskontakter		
Vridbart hjul		
Laseravstånd Sensor (LDS)		
Robotens laddningskontakter		

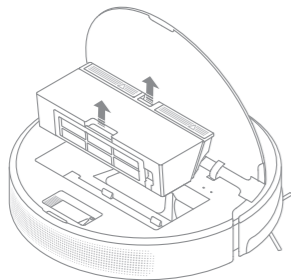
Del	Underhållsfrekvens	Utbytesperiod
Stötfångare	En gång i månaden	/
Botten av roboten		
Trappsensorer		
Återvänd-till-stationen-sensor	Rengör den vid behov	/
Vattentank		
Dammbehållare		

Obs: Ersättningsfrekvensen beror på din användning av roboten. Om ett undantag uppstår på grund av särskilda omständigheter bör delarna bytas ut.

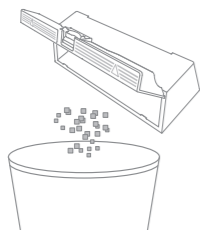
Rutinunderhåll

Dammbehållare

1. Öppna locket på roboten och tryck sedan på fästklämman för att ta bort dammbehållaren.

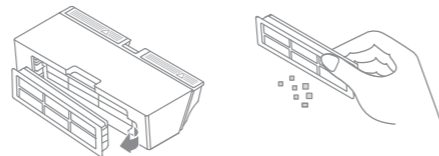


2. Öppna dammbehållarlocket och töm dammbehållaren så som visas i diagrammet.



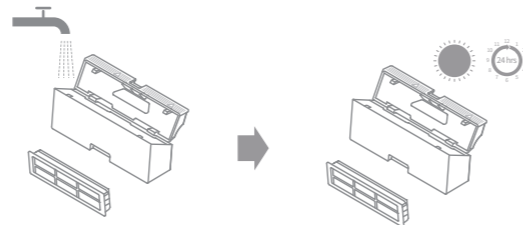
Filter

1. Ta bort filtret och knacka försiktigt på dess korg.



Obs: Undvik att försöka rengöra filtret med en borste, ett finger eller vassa föremål för förebyggande av skador.

2. Skölj dammbehållaren och filtret med rent vatten och torka dem helt innan användning.



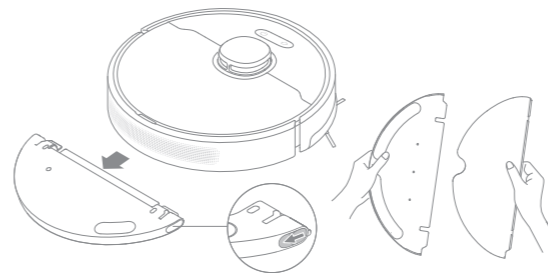
Obs:

- Skölj dammbehållaren och filtret endast med rent vatten. Undvik att använda något rengöringsmedel.
- Använd dammbehållaren och filtret först när de är helt torra.

Rutinunderhåll

Moppmodul

1. Skjut de två klämmorna för lösgöring på sidan av vattentanken, ta bort moppmodulen och dra av moppdynan från moppmodulen.

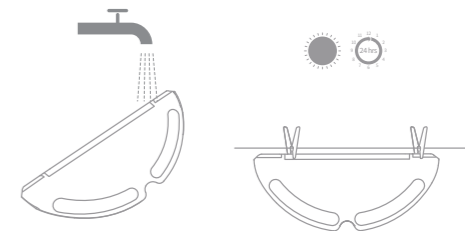


2. Häll ut vattnet i tanken. Rengör vattentanken endast med vatten och låt den lufttorka innan den används.



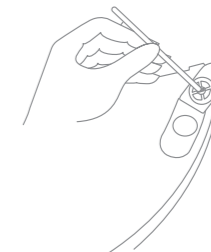
Obs: Utsätt inte vattenbehållaren för solljus.

3. Rengör moppdynan endast med vatten och låt den lufttorka innan den monteras.



Obs: Ta bort dynan från moppmodulen innan du rengör den, och se till att smutsigt vatten inte rinner tillbaka in i vattenutloppet för att förhindra igensättning.

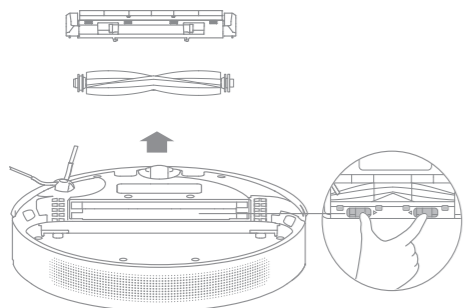
4. Om långsamt vattenflöde uppstår eller om vattnets volym inte är väl fördelad, rengör lufthålet i vattentankens lock.



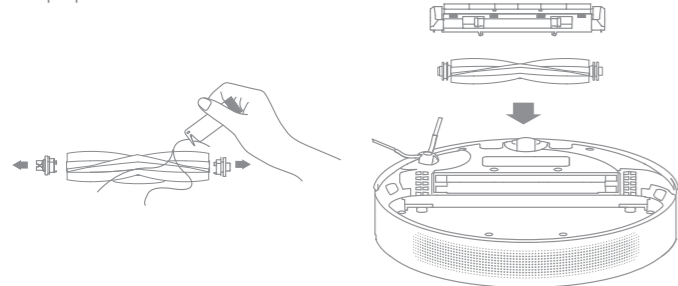
Rutinunderhåll

Huvudborste

1. Tryck på bortskyddsklämmorna inåt för att ta bort borstskyddet och lyft ut borsten ur roboten.



2. Dra ut borstkåporna i borstens båda ändar så som visas i diagrammet. Använd det medföljande rengöringsverktyget för att ta bort hårstrån som trasslat in sig i borsten. Sätt tillbaka borstskydden på båda ändarna av borsten och sätt sedan tillbaka borsten. Tryck på borstskyddet för att låsa det på plats.

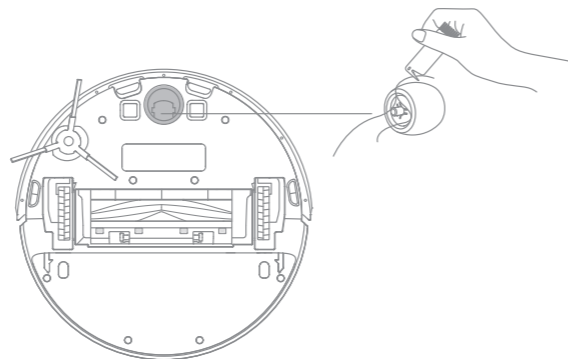


Sidoborste

Ta bort och rengör sidoborsten.



Vridbart hjul



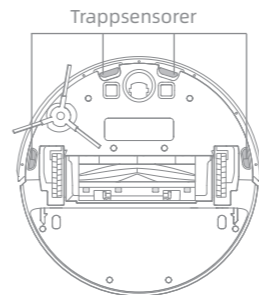
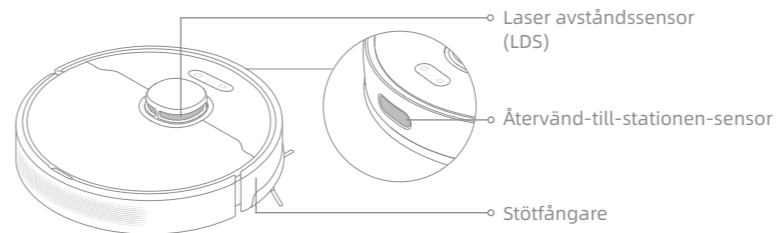
Obs:

- Använd ett verktyg såsom en liten skruvmejsel för att separera axeln och däckets på det vridbara hjulet. Använd inte överdrivet mycket kraft.
- Skölj det vridbara hjulet under rinnande vatten och sätt tillbaka det efter att det har torkat helt.

Rutinunderhåll

Robotsensorer

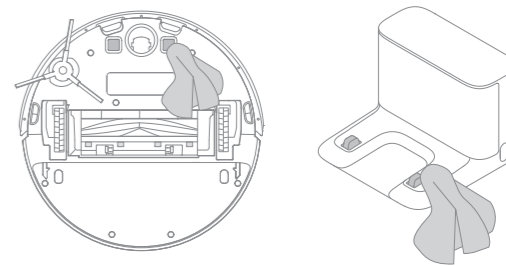
Torka av robotens sensorer med en mjuk och torr trasa som visas på bilden:



Obs: En våt trasa kan skada känsliga delar i roboten och laddningsdockan. Använd en torr duk för rengöring.

Laddningskontakter och signalområde

Rengör laddningskontakterna och signalområdet med en mjuk och torr trasa.



Batteri

Roboten har ett högpresterande litiumjonbatteri. Säkerställ att batteriet är välladdat för daglig användning för att bibehålla optimal batteriprestanda. Om roboten inte används under en längre tid bör du stänga av den och lägga undan den. För att förhindra skador från överdriven urladdning bör roboten laddas minst en gång var tredje månad.

Problem	Lösning
Robotens slås inte på.	Batteriet börjar ta slut. Ladda om roboten på laddningsdockan och försök sedan igen. Batteriets temperatur är för låg eller för hög. Det rekommenderas att apparaten i drift har en temperatur mellan 32 °F (0 °C) och 104 °F (40 °C).
Robotens laddas inte.	Laddningsstationen får ingen ström. Kontrollera att båda ändarna av strömkabeln är korrekt inkopplade. Dålig anslutning. Rengör laddningskontaktarna på laddningsstationen och roboten.
Robotens återgår inte till laddningsdockan.	Det finns för många hinder runt laddningsstationen. Placera laddningsstationen i ett mer öppet område. Rengör laddningsstationens signalområde.
Robotens har ett funktionsfel.	Stäng av roboten och återaktivera den sedan.
Robotens ger ifrån sig ett konstigt ljud.	Ett främmande föremål kan ha fastnat i huvudborsten, sidoborsten eller ett av huvudhjulen. Stoppa roboten och ta bort eventuellt skräp.
Robotens rengör inte längre effektivt eller lämnar damm efter sig.	Dammlådan är full. Rengör den. Filtret är blockerat. Rengör den. Ett främmande föremål har fastnat i huvudborsten. Rengör den.

Problem	Lösning
Robotens kan inte anslutas till WiFi.	Något är fel med WiFi-anslutningen. Återställ WiFi och ladda ner den senaste versionen av Dreamehome-appen och försök sedan att ansluta igen. Platsbehörighet är inte öppen. Säkerställ att den tillåtna platsen i appen för Dreamehome är aktiverad. WiFi-signalen är svag. Kontrollera att roboten befinner sig i ett område med god WiFi-täckning. 5 GHz WiFi stöds inte. Säkerställ att din robot ansluter till 2,4 GHz WiFi. Användarnamnet eller lösenordet för WiFi är felaktigt. Ange rätt användarnamn och lösenord.
Robotens utför inte schemalagd rengöring.	Robotens har låg batterinivå. Schemalagd rengöring startar inte om inte robotens har minst 15 % batteri kvar.
Förbrukar robotens ström om den redan är fulladdad när den lämnas på laddningsstationen?	Lämnar man robotens på laddningsdockan efter att den har blivit fullt laddad förbrukar den väldigt lite elektricitet och hjälper till att underhålla optimal batteriprestanda.
Inget vatten kommer ut ur vattentanken, eller bara lite.	Kontrollera om det finns vatten i vattentanken. Rengör moppdynan om den blir smutsig. Kontrollera att moppdynan är korrekt installerad enligt bruksanvisningen. Rengör lufthålet på vattentankens plugg.
Robotens återupptar inte rengöringen efter laddning.	Kontrollera att robotens inte är inställd på Stör-ej-läget (DND), vilket hindrar den från att återuppta rengöringen. Robotens återupptar inte rengöringen när den laddas manuellt eller placeras på laddningsstationen.
Robotens återgår inte till laddningsdockan efter att ha flyttats.	Om robotens flyttas kan det leda till att den ompositionerar sig själv eller kartlägger omgivningen på nytt. Om robotens befinner sig för långt från laddningsstationen kanske den inte kan återgå automatiskt på egen hand, och i så fall måste du placera robotens manuellt på laddningsstationen.

Robot

Modell	RLD34GA
Laddningstid	Cirka 6 timmar
Nominell spänning	14,4 V $\overline{\text{---}}$
Nominell effekt	75 W
Driftsfrekvens	2400-2483,5 MHz
Maximal utgångseffekt	< 20 dBm

Vid normal användning av utrustningen bör den hållas på ett avstånd av minst 20 cm mellan antennen och användarens kropp.

Laddningsstation

Modell	RCS0
Nominell ingång	100-240 V~ 50/60 Hz 0,5 A
Nominell utgång	19,8 V $\overline{\text{---}}$ 1 A

Bortskaffande och borttagning av batteri

Det inbyggda litiumjonbatteriet innehåller ämnen som är farliga för miljön. Innan du kasserar batteriet bör du se till att det tas ut av kvalificerade tekniker och kasseras på en lämplig återvinningscentral.

- batteriet måste avlägsnas från apparaten innan det kasseras;
- apparaten måste kopplas ur från elnätet när batteriet tas ur;
- batteriet måste kasseras på ett säkert sätt.

VISA FÖRSIKTIGHET:

Innan du tar ut batteriet bör du koppla bort strömkällan och ta slut på batteriet så mycket som möjligt.

Batterier som förbrukats ska kasseras på lämplig återvinningscentral.

Utsätt inte roboten för miljöer med höga temperaturer för att undvika explosionsrisk.

Om batteriet hanteras på ett våldsamt sätt kan vätska slungas ut ur batteriet. Om kontakt uppstår, spola med vatten och sök medicinsk hjälp.

Borttagningsguide

1. Vänd på roboten, använd ett lämpligt verktyg för att ta bort skruvarna på baksidan av roboten, och avlägsna sedan locket.
2. Om du vill ta bort batterierna behöver du först koppla ur terminalerna mellan batteriet och PCB-moderkortet.

WEEE-information



Alla produkter som bär denna symbol räknas som elektrisk/elektronisk utrustning (WEEE enligt direktiv 2012/19/EU) och får inte slängas med osorterat hushållsavfall. Istället bör du skydda människors hälsa och miljön genom att överlämna din uttjänta utrustning till en lämplig återvinningscentral, en plats som har utsetts av berörda myndigheter att hantera avfall från elektrisk och elektronisk utrustning. Korrekt avfallshantering och återvinning hjälper till att förhindra potentiella negativa konsekvenser för miljön och människors hälsa. Kontakta installatören eller lokala myndigheter om du vill ha mer information om platsen samt villkoren för sådana insamlingsställen.