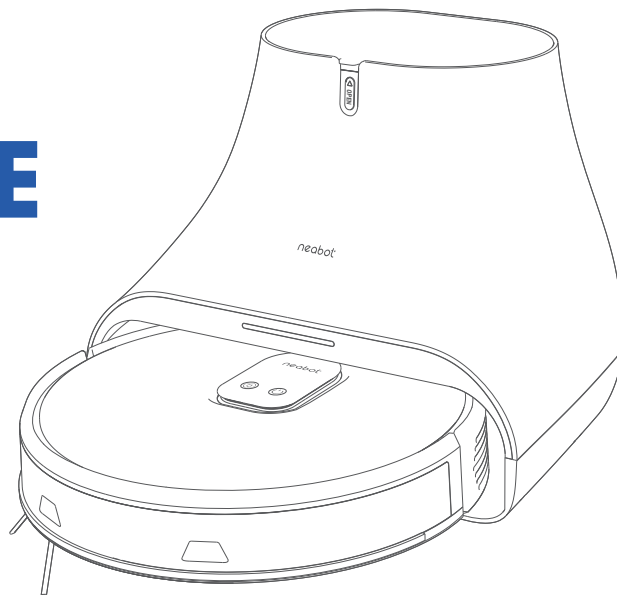


neabot⁺

Neabot NoMo Q11 **USER GUIDE**

- FR GUIDE DE L'UTILISATEUR
- DE GEBRAUCHSANWEISUNG
- JP 取扱説明書
- 简 用户指南



User Guide

• Safety Information	1-2
• Package Includes	3
• About Your Robot Vacuum	4-7
• About Your Self-Emptying Dustbin	8
• Get Started	9-12
• Trouble Shooting	13
• Customer Support	13
• Care and Maintenance	14-20
• Warranty	21-22

Guide de l'utilisateur

• Informations sur la sécurité	23-24
• Le forfait comprend	25
• À propos de votre robot aspirateur	26-29
• À propos de votre poubelle à vidange automatique	30
• Démarrez	31-34
• Dépannage	35
• Service clientèle	35
• Entretien et maintenance	36-42
• Garantie	43-44

Gebrauchsanweisung

• Sicherheitsinformationen	45-46
• Das Paket enthält	47
• Über Ihr Roboterstaubsauger	48-51
• Über Ihren selbstentleerenden Staubbehälter	52
• Beginnen	53-56
• Fehlerbehebung	57
• Kunden-Support	57
• Pflege und Wartung	58-64
• Garantie	65-66

取扱説明書

• 安全情報	67-68
• パッケージに含まれるもの	69
• ロボット掃除機について	70-73
• 自動ゴミ収集ボックスについて	74
• 掃除開始	75-78
• トラブルシューティング	79
• カスタマーサポート	79
• ケアとメンテナンス	80-86
• 保証	87-88

用户指南

• 安全信息	89-90
• 包装包括	91
• 关于您的扫地机器人	92-95
• 关于您的集尘宝	96
• 开始使用	97-100
• 故障排除	101
• 客户支援	101
• 保养与维护	102-108
• 保修	109-110

Safety Information

General Warning

- Your robot is not a toy. Small children and pets should be supervised when your robot is operating.
- Do not sit or stand on your robot or charging station.
- Do not use unauthorized chargers. Use of an unauthorized charger could cause the battery to generate heat, smoke, catch fire, or explode.
- Your robot comes with a region approved power supply cord and is designed to be plugged into a standard household AC power outlet only. Do not use any other power supply cord. For replacement cords, please contact Customer Support to ensure proper selection of country specific power supply cord.
- Do not open your robot or charging station. There are no user serviceable parts inside. Refer servicing to qualified service personnel.
- Risk of electric shock, use indoors in dry location only.
- Do not handle your robot or charging station with wet hands.
- Store and operate your robot in room temperature environments only.
- If the room to be cleaned contains a balcony, a physical barrier should be used to prevent access to the balcony and ensure safe operation.

Safety Information

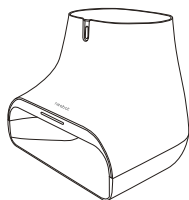
Battery & Charging Warnings

- Do not use a charging station with a damaged cord or plug. If the cord or plug is damaged, it must be replaced.
- Always disconnect your robot from the charging station before maintenance.
- Charge your robot only with the power supply provided. The provided power supply delivers safety extra low voltage corresponding to the input marking on the robot which is required to maintain safe operation.
- Do not open, crush, heat above 176°F/80°C, or incinerate. Follow manufacturer's instructions.
- Do not short-circuit the battery by allowing metal objects to contact battery terminals or immerse in liquid.
- Do not subject batteries to mechanical shock.

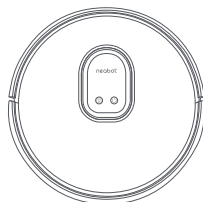
Cautions

- Do not operate the robot in areas with exposed electrical outlets in the floor.
- If the device passes over a power cord and drags it, there is a chance an object could be pulled off a table or shelf. Before using this device, pick up objects like clothing, loose papers, pull cords for blinds or curtains, power cords, and any fragile objects.
- Be aware that the robot moves on its own. Take care when walking in the area that the robot is operating in to avoid stepping on it.
- Do not use this device to pick up sharp objects, glass, or anything that is burning or smoking.

Package Includes



Self-Emptying Dustbin*1

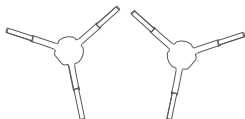


Robot Vacuum*1

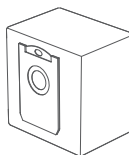


User Guide*1

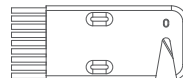
Accessories:



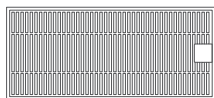
Side Brush*2



Dust Bag*2



Cleaning Brush*1
(next to the dust box on the robot)



HEPA*1

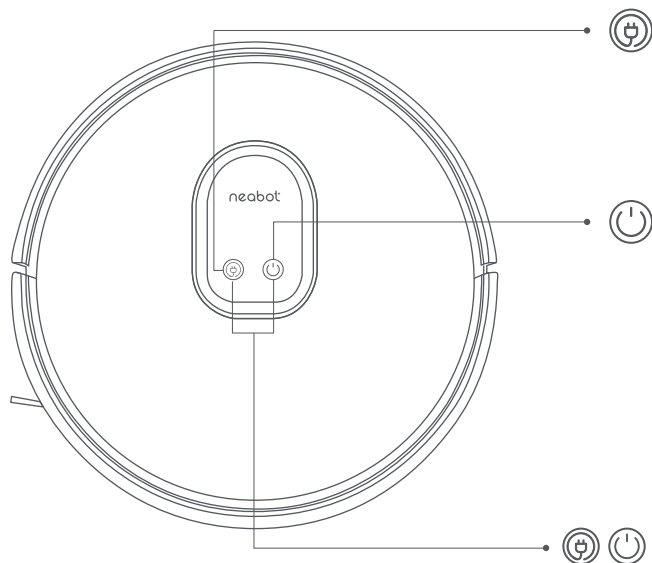


Mop Cloth*2
(can be used repeatedly)

Note: If you find something missing in your package, please contact customer support via support@neobot.com in time.

About Your Robot Vacuum

Front View



Recharge

Short press to recharge.

During the recharging process, short press to pause, press again to continue recharging.



Start/Pause

Short press to clean all, and automatically recharge after cleaning.

During cleaning, short press to pause, press again to continue cleaning.

In shutdown mode, long press for 5s to turn on.

In standby mode, long press for 5s to shut down.

Note: when the neabot is charging on the charging station, it will automatically turn on, and it cannot be turned off during charging.

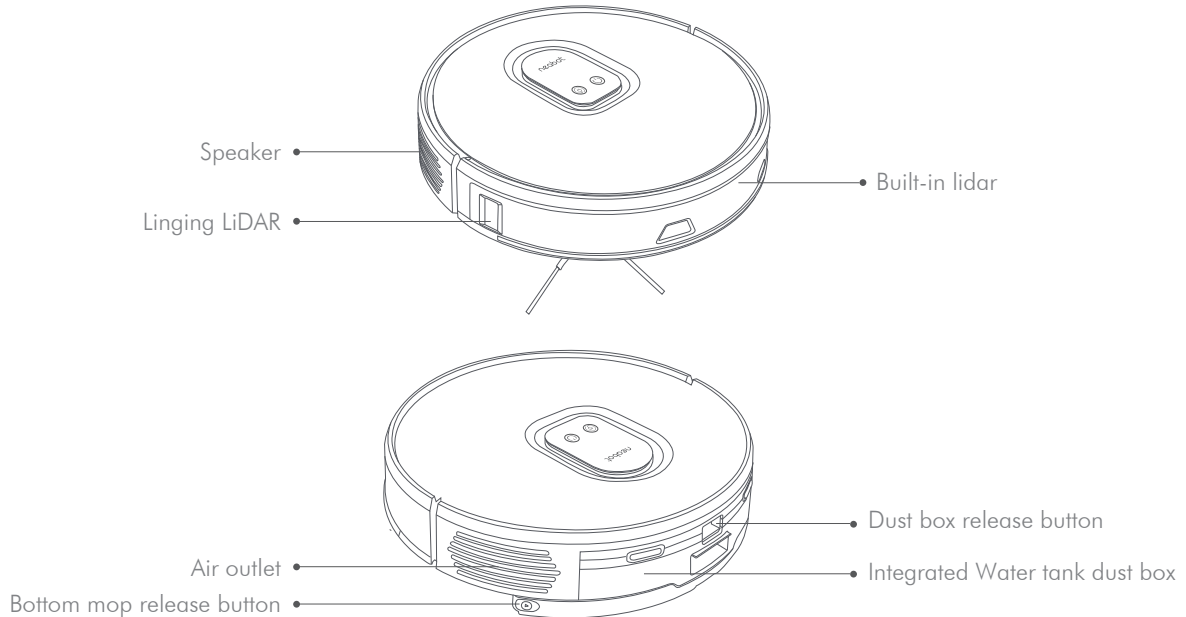


Network Configuration

Long press the spot cleaning button and the recharge button for 5 seconds to reset the WiFi.

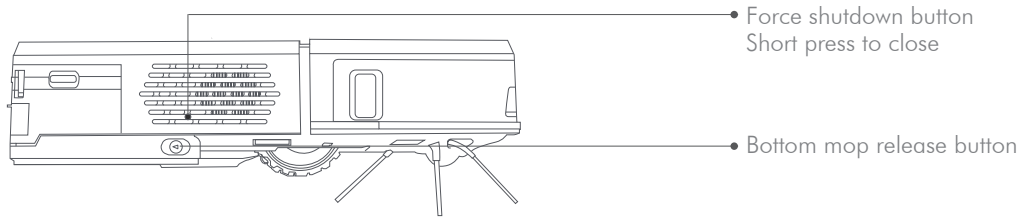
About Your Robot Vacuum

Top View

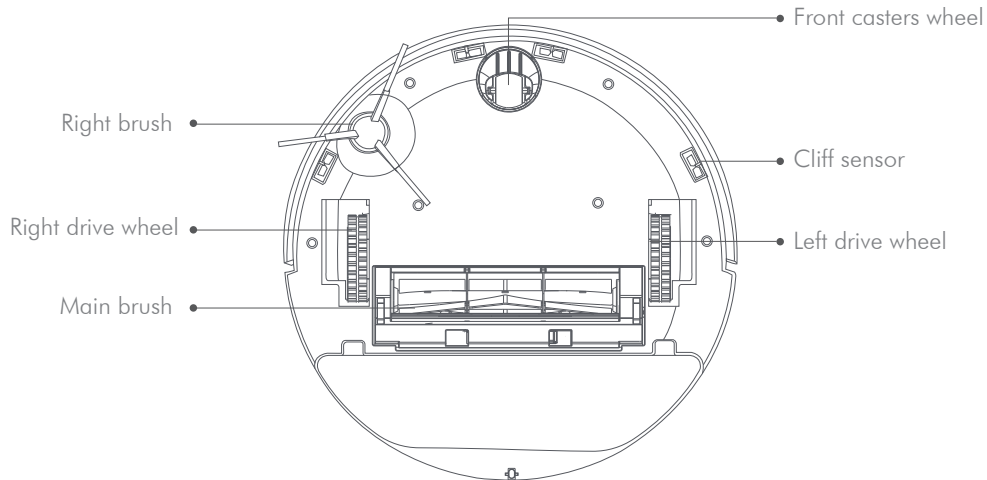


About Your Robot Vacuum

Side View

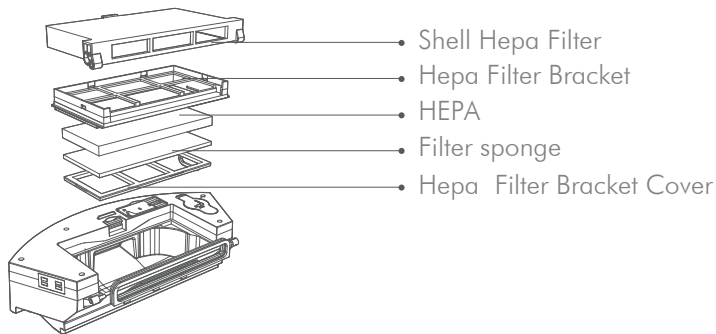
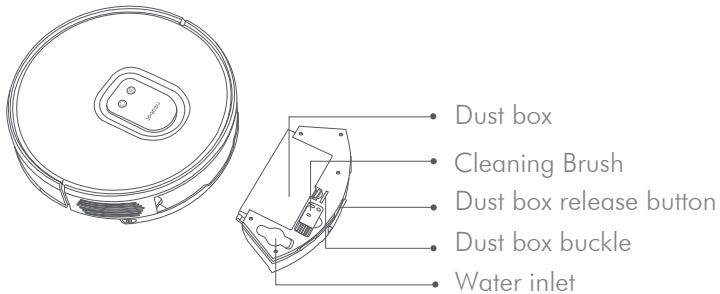


Bottom View

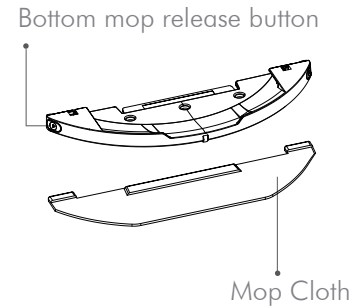


About Your Robot Vacuum

About Your Dust box

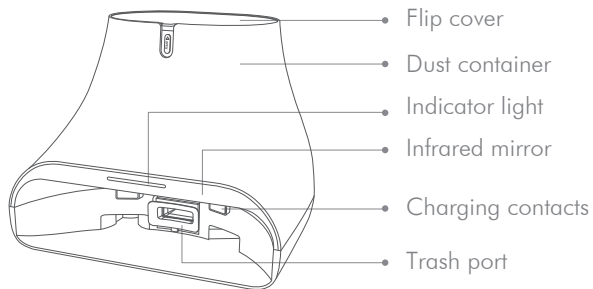


Mop board bracket

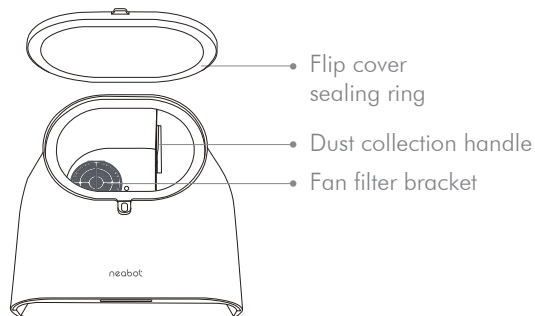


About Your Self-Emptying Dustbin

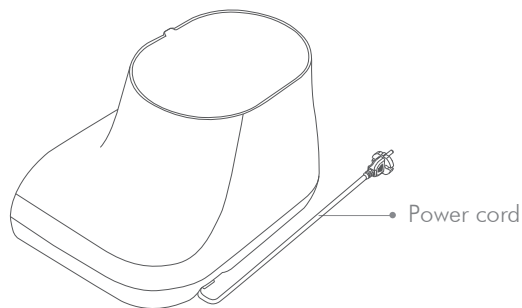
Front View



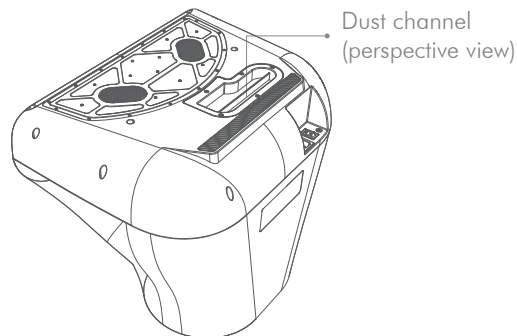
Top View



Back View



Bottom View

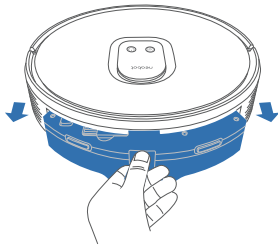


Get Started

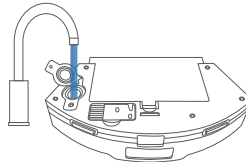
1. Get Ready

After operating according to ①②③④ on the quick installation guide:

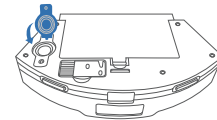
1. Take out the electric water tank.



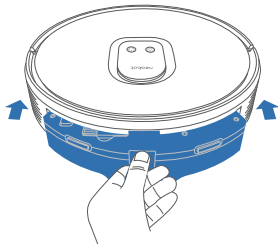
2. Open the cover of the water injection port and inject clean water. (In order to extend the service life of the water tank, It is recommended to use purified water or softened water)



3. Put on the water inlet cap.



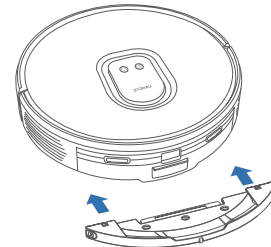
4. Reinstall the water tank.



5. Install the washable cloth on the mop holder.



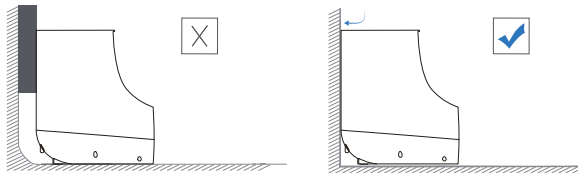
6. Install the mop board bracket back to the host.



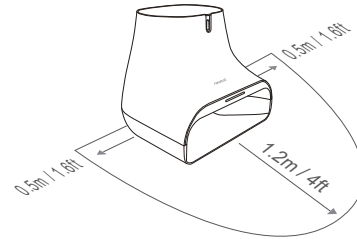
Get Started

2. Position the Self-Emptying Dustbin

Place self-emptying dustbin near an outlet in an area with good WiFi-coverage. The dustbin should be placed on flat ground and close to the wall.



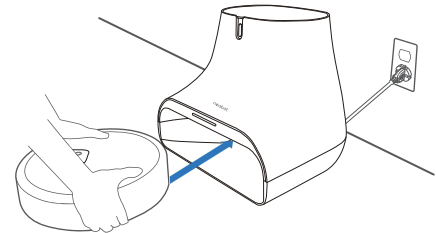
Ensure there is a space of more than 1.2m/4ft at the front, and more than 0.5m/1.6ft on both sides of the dustbin.



3. Plug in, Wake up NoMo

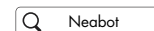
- Plug the power cord into the wall. Wrap the cord back so it won't get in the way of the robot as it comes and goes.
- Place your robot on the self-emptying dustbin by lining up the metal contacts. After a few minutes, a sound will let you know it's awake.

Note: Do not place the charging station in direct sunlight.



4. App Setup

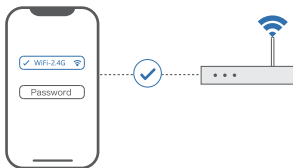
Scan the QR code to download the APP, or search for "Neobot" in the mobile App store to download the App. (Please do not download the "Neobot Home" APP)



Get Started

5. WiFi Connection

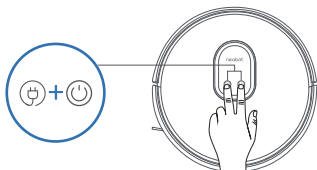
1. The phone is connected to WiFi. (Doesn't support 5GHz)



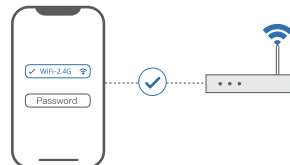
2. Register and login to the account, add device on the home page.



3. Long press the recharge button (left) and spot cleaning button (right) for 5 seconds to enter the network configuration.



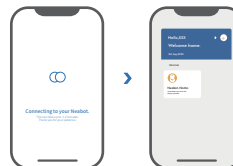
4. Select the connected WiFi of the phone and enter the WiFi password.



5. Go to the mobile phone WLAN list and switch your WiFi to Neobot hotspot. (displays as Neobot_NoMo_XXX)



6. Return to the App and wait 1-2 minutes to complete the connection. (at this time Neobot will flash Blue light quickly)



Note: Due to the upgrade and update of the mobile APP, the actual operation may be slightly different from the above description. Please follow the instructions in the current mobile APP.

Get Started

6. Cleaning

You can use the start button on the APP interface



Cleaning All

After start-up, the robot will explore and create a real-time map of your house and then plan the best cleaning path.

With the Neabot app, you can switch between cleaning modes, schedule cleaning, select room cleaning, create virtual no-go zones, set zones to clean.

7. Recharge & Self-Empty

- Once the cleaning is done, your robot will automatically return to the self-emptying dustbin to empty its bin and recharge as needed.
- Please make sure that Neabot starts cleaning from the charging station.
- The robot vacuum will return to charge automatically when the battery gets low, and resume cleaning from where it left off until the job is complete.
- Manual charging: When the neabot is powered off, you can manually put it back into the charging station to charge.

Note: It takes Neabot up to 4-6 hours to reach a full charge. The battery will typically last 120 mins. This also depends on the power mode you use and the floor type in your home.

8. Sleep-Mode

If there is no operation for more than 20 minutes, the robot will automatically enter into sleep-mode.

Note: The robot will not enter sleep-mode while charging.

Trouble Shooting

Your robot will play a sound alarm and the indicator light will light up to tell you what is wrong. You can get more support and guidance videos in the Neabot APP and www.neabot.com.

Customer Support

If you have other questions or comments about your robot vacuum, You can start by visiting www.neabot.com for support tips, frequently asked questions and information about accessories. This information can also be found in the Neabot App. If you need further assistance, contact us via support@neabot.com

Care and Maintenance

Care and Maintenance Instructions

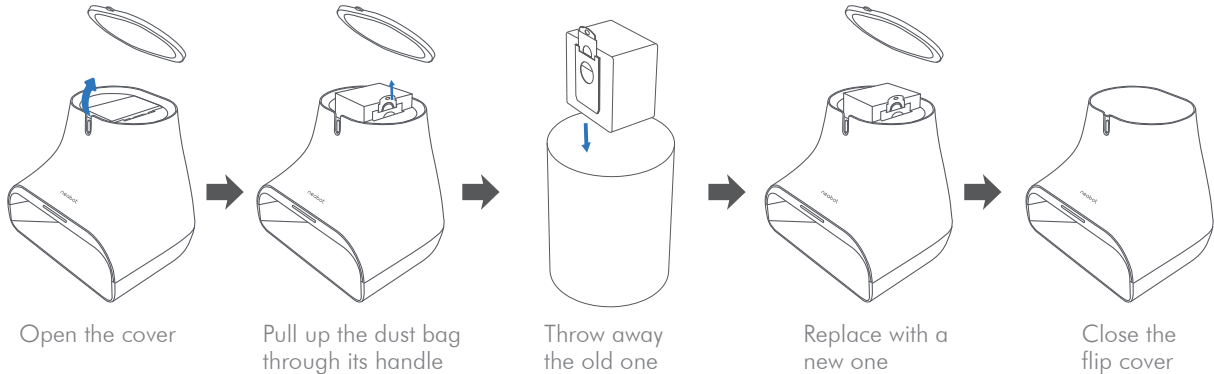
To keep your robot running at peak performance, perform the procedures on the following pages. If you notice the robot picking up less debris from your floor, empty the bin, clean the filter and clean the brushes.

Part	Care Frequency	Replacement Frequency*
Dust Bags		Bags should be replaced when prompted by the LED indicator (Yellow light flashes) It is recommended to replace every 1-3 weeks
Dust tunnel	If the dust bag is full, or if the dust bag is reported as "full dust bag" but the actual dust bag is not full, please confirm whether it is blocked and clean it.	
Main Brush	Clean every week	Every 3-6 months
Side Brush	Clean every week	Every 1-3 months
Dustbin	Wash bin as needed	
Filter	Clean once a week (twice a week if you have a pet). Do not wash.	Every 1-2 months
Front Caster Wheel	Clean every 2 weeks	Every 12 months
Sensors and Charging Contacts	Clean once a month	

Note: Neabot manufactures various replacement parts and assemblies. If you think you need a replacement part, please contact us via support@neabot.com or visit neabot.com
Replacement frequency may vary. Parts should be replaced if visible wear appears.

Care and Maintenance

Replacing Bags

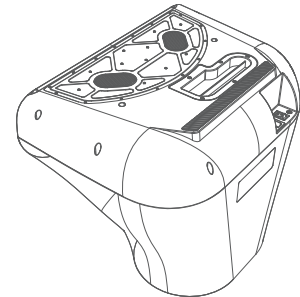



Clean the dust collection pipe

If the dust bag is full, or the dust bag reports “Dust bag is full” but the actual dust bag is not full, first unplug the dust bag and turn it upside down to check whether the transparent cover of the dust collection channel at the bottom. If there is any foreign matter causing the blockage, if it is blocked, remove the screw and open the transparent cover, as shown in the figure, and remove the foreign matter.

Note: Do not remove it by force, please use a screwdriver.

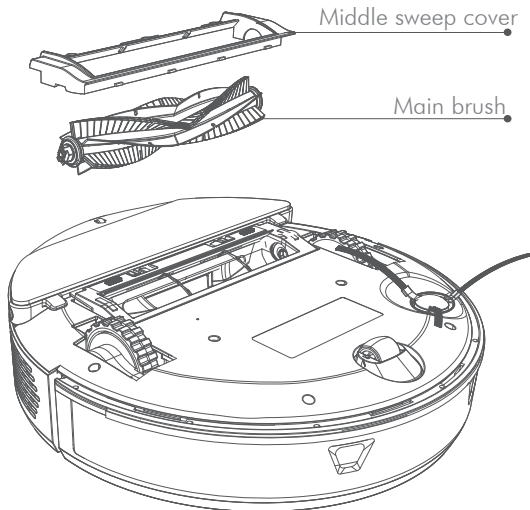
Transparent cover for dust collection pipe



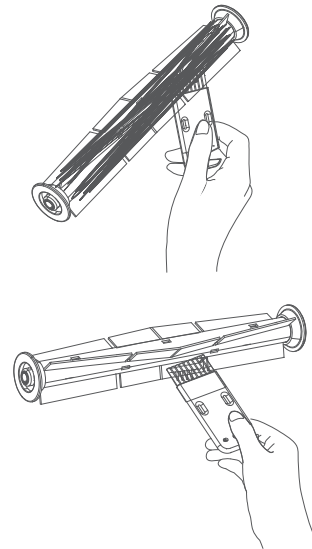
Care and Maintenance

Cleaning the Main Brush (recommended weekly)

1. Rotate the host, press the buckle, and then remove the brush cover.



2. Remove the main brush upwards and clean the entangled hair and debris with a cleaning brush.

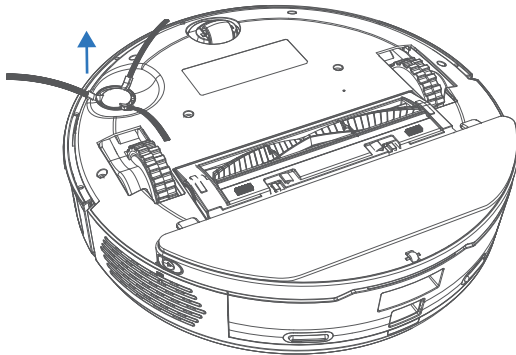


Note: If you hear abnormal sound from the main brush during cleaning process, please check if the main brush is stuck. Remove the obstacle and reinstall the main brush. You may need to reinstall multiple times to let it perform normally.

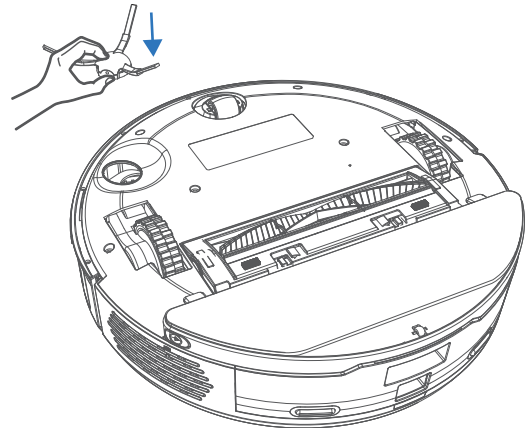
Care and Maintenance

Cleaning Side Brush

1. Remove the side brush.



2. Remove any hair or debris, then reinstall the side brushes.

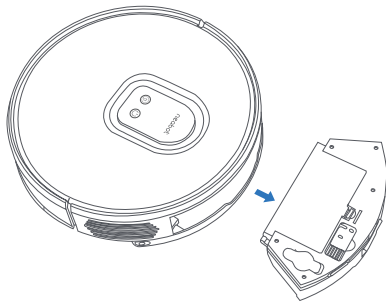


Note: When you hear the side brush report an error, please first check whether the side brush is entangled with hair or something, and then move the side brush by hand to check whether there is any abnormality, and then remove the side brush for inspection.

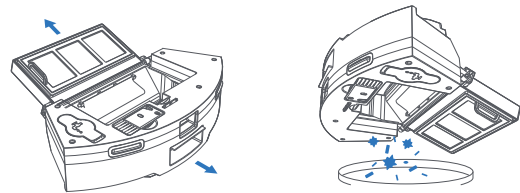
Care and Maintenance

Cleaning Dustbin and Filter

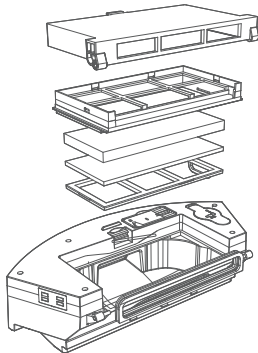
1. Press the dust box release button to remove the dust box.



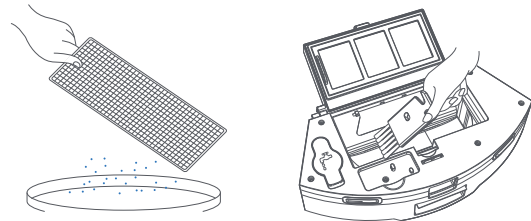
2. Open the dust box and dump out the garbage.



3. Open the dust cover and remove the filter.



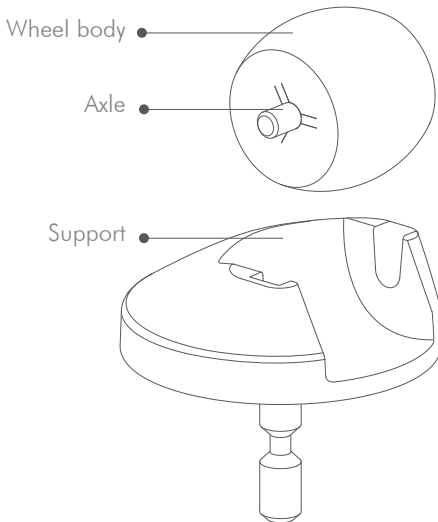
4. Shake off the trash on the filter net and use a cleaning brush to clean the dust box and filter. (wash the dustbin as needed)



Care and Maintenance

Cleaning the Front Caster Wheel

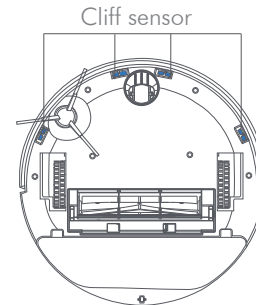
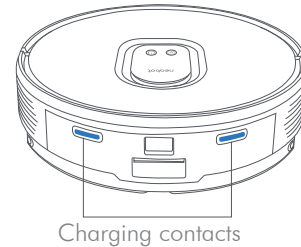
- Pull firmly on the front wheel module to remove it from the robot.
- Pull firmly on the wheel to remove it from its housing. (see illustration below)
- Remove any debris from inside the wheel cavity.
- Reinstall all parts when finished. Make sure the wheel clicks back into place.



Cleaning Sensors and Charging Contacts

Wipe sensors with a clean, dry cloth, including:

- 4 cliff sensors at the bottom of the robot.
- Charging contacts on the side of the robot.

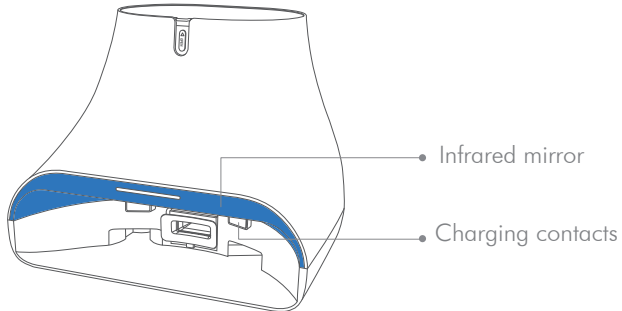


Care and Maintenance

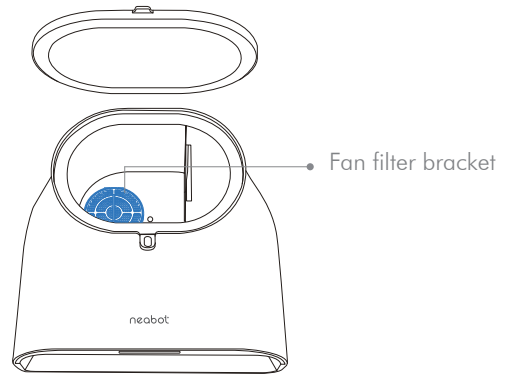
Cleaning the Self-Emptying Dustbin

Check the sensor and charging contacts to make sure they are clean and not dirty, wipe them with a clean dry cloth.

Note: Do not spray the cleaning solution directly on the infrared mirror or the opening of the infrared mirror.



Clean the fan filter bracket and dust collection cavity.



Warranty

Warranty Overview

Neabot (Hereinafter referred to as 'Us') warrants that, subject to the exclusions and limitations set out below, this Product (including batteries if applicable) shall be in good working order during the period of one (1) year from the date of purchase (the 'Warranty Period'). In the event that the Product fails to meet the warranty standard to our reasonable satisfaction, we will within a commercially reasonable time, free of charge, either repair or replace the Product as described below.

Note: As far as applicable laws permit, the Warranty Period will not be extended or renewed or otherwise affected due to subsequent exchange, resale, repair or replacement of the Product.

Making a Claim under the Limited Warranty

If you wish to make a warranty claim, please contact us via support@neabot.com

Note: Please provide your order information in the mail.

Limitation of Neabot's Liability

To the extent permitted by applicable law, Neabot's liability shall be limited to the purchase value of the Product. The above limitations shall not apply in case of gross negligence or intentional misconduct of Neabot or in case of death or personal injury resulting from Neabot's proven negligence.

Warranty

What Is Not Covered?

Unless agreed in writing, the limited warranty will not apply if the defect(s) relate to:

- normal abrasion. (Including but not limited to main brush, side brush, sea Pa, battery, etc. wear, if applicable)
- Defects caused by rough or inappropriate handling or use or damage caused by accident, misuse, neglect, fire, water, lightning or other acts of nature.
- If the product contains a battery and the fact that the battery has been short-circuited, if the seals of the battery enclosure or the cells are broken or show evidence of tampering or if the battery has been used in equipment other than those for which it has been specified,
- Non-compliance with the product instructions.
- Arbitrary or deliberate damage, such as man-made damage to the machine.
- Use non-original accessories, unauthorized cleaning solutions or other replacement items that we do not provide or recommend. (Including consumables)
- Any alteration or modification to the product which has been carried out by you or a third party not authorised by us.
- Any failure to adequately package the product for transportation.
- Extreme or external causes beyond our reasonable control including, but not limited to, breakdowns, fluctuations, or interruptions in electric power, ISP (internet service provider) service, or wireless networks.